



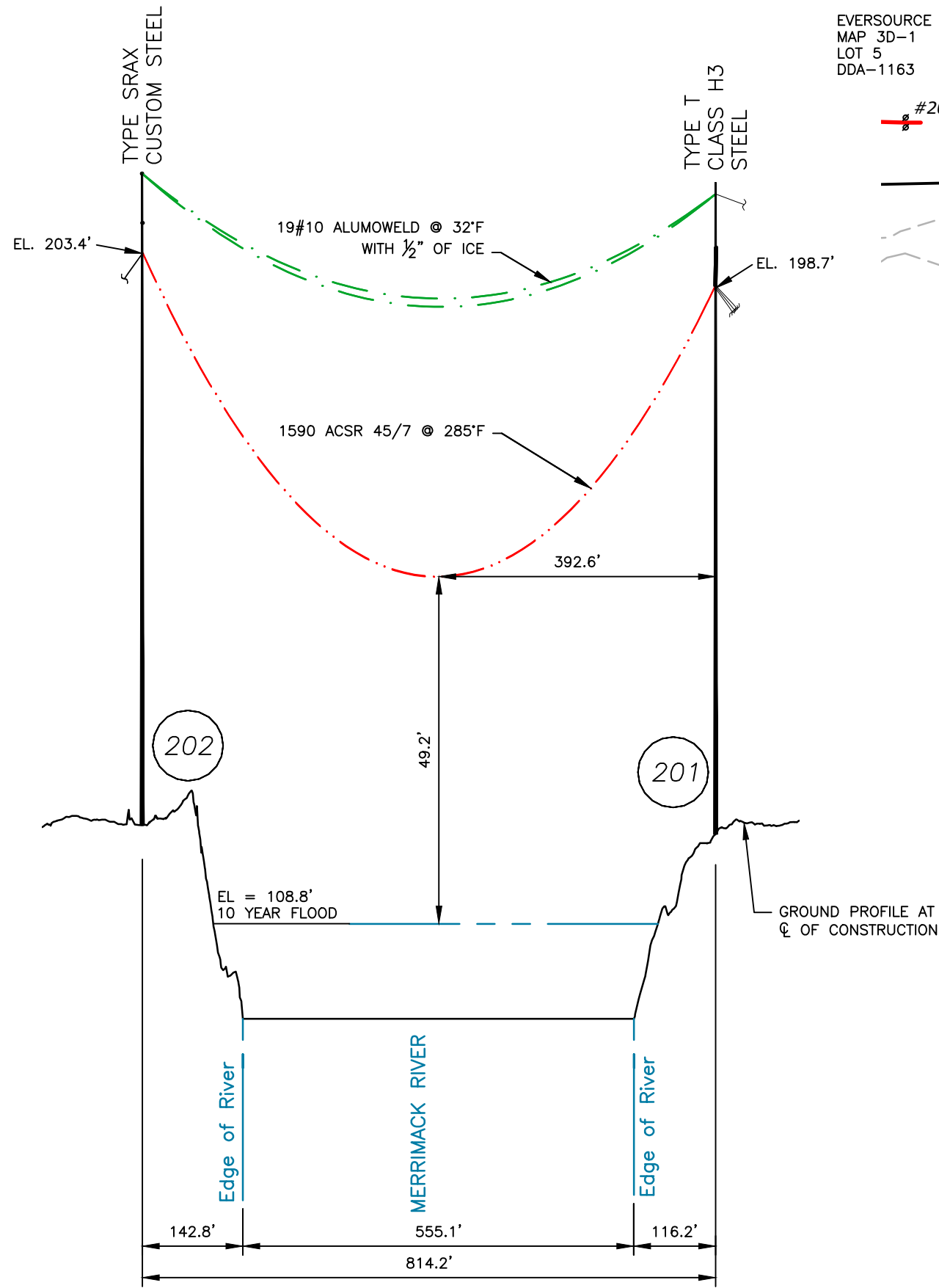
LEGEND:

- H123 LINE:
- H123 STR:

DWG REV	EPN/DESCRIPTION	CONT/PE#	DATE	DRN	CHKD	APPR
0	ISSUED TO DOE		04/18/22	NEB	JJD	CRP

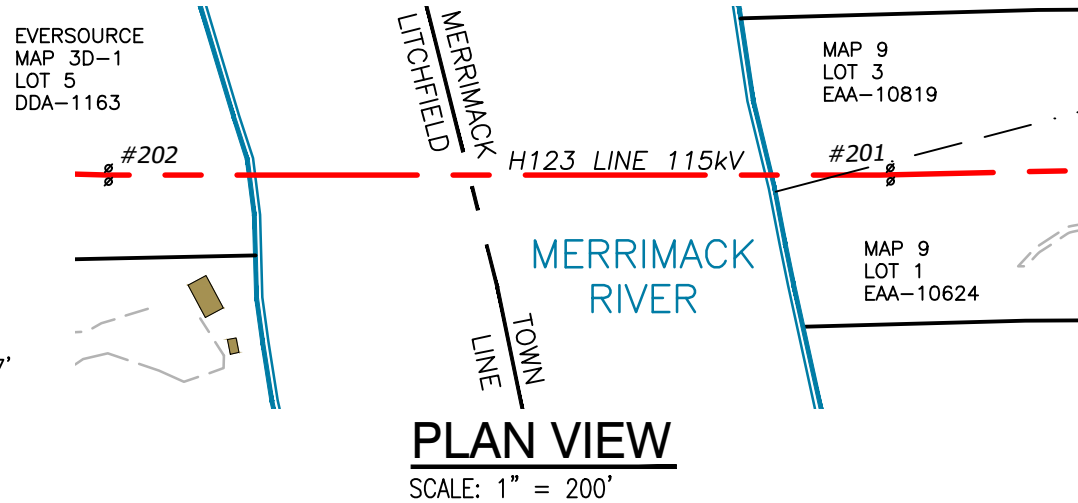
EVERSOURCE ENERGY		T 0
H123, 115kV LINE MERRIMACK RIVER CROSSING LITCHFIELD & MERRIMACK, NEW HAMPSHIRE EXHIBIT 1		DRAWN NEB
		ENGINEER CRP
		CHECKED JJD
		APPROVED CRP
		DATE 2/14/22
SCALE 1" = 600'	FILE: H12343901.DWG IMAGE:	DRAWING NO. H12343901

4/18/2022 8:42 AM - JoshD - N:\Active Projects\02497_ES_TL_Engineering_and_Drafting\06-D...H12343901.dwg - EXHIBIT 2 (WATER CROSSING) ES VER: 12/2016



PROFILE VIEW

SCALE: HORZ 1" = 200'
VERT 1" = 20'

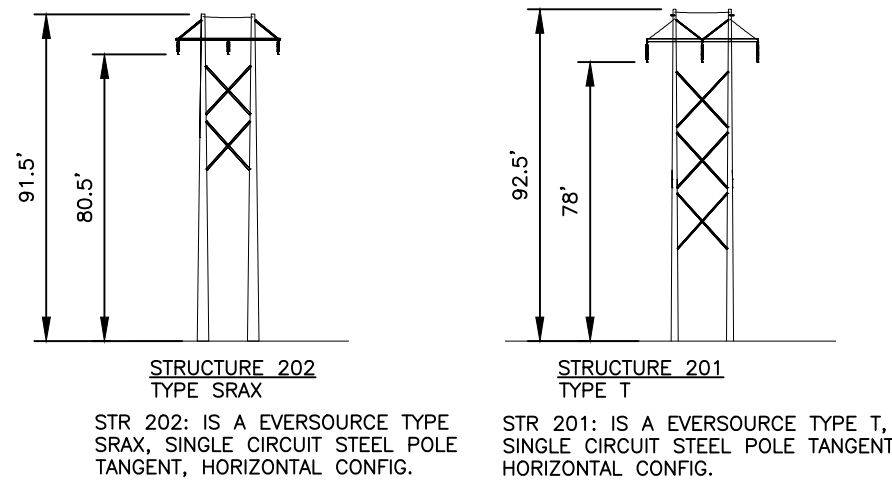


PLAN VIEW

SCALE: 1" = 200'

LEGEND:

- #202 STRUCTURE
- H123 LINE 115KV LINE, CL OF CONSTRUCTION
- LIMITS OF EVERSOURCE RIGHT OF WAY
- EDGE OF RIVER
- ROAD, (UNMAINTAINED)
- BUILDING / STRUCTURE



STRUCTURE DETAIL

SCALE: NTS

STR 202: IS A EVERSOURCE TYPE SRAX, SINGLE CIRCUIT STEEL POLE TANGENT, HORIZONTAL CONFIG.

STR 201: IS A EVERSOURCE TYPE T, SINGLE CIRCUIT STEEL POLE TANGENT, HORIZONTAL CONFIG.

STRUCTURE LOCATION		
STRUCTURE	LONGITUDE	LATITUDE
201	-71.47892412	42.82998961
202	-71.48195623	42.82990945

NESC VERTICAL CLEARANCE (FT)		FROM TABLE
232.1, C2-2017		
NATURE OF SURFACE UNDERNEATH WIRES, CONDUCTORS OR CABLES		115kV
WATER AREAS SUITABLE FOR SAIL BOATING INCLUDING LAKES, PONDS, RESERVOIRS, TIDAL WATER, RIVER, STREAMS, AND CANALS WITH AN UNUPSTRUCTED SURFACE AREA OF OVER 20 TO 200 ACRES		30.1

CABLE SCHEDULE						
WIRE	QTY OF CABLES	DESCRIPTION	DESIGN CONDITIONS			
			MAX DESIGN TENSION (lb)	TEMP (°F)	ICE (in)	WIND (psf)
CONDUCTOR	3	ACSR, 1590 kcmil 45/7, LAPWING	10000	0	0.5	4
SHIELD WIRE	2	19#10 ALUMOWELD	5500	0	0.5	4

NOTES:

1. PARCEL INFORMATION PROVIDED BY NH GRANIT.
2. ELEVATIONS REFERENCED TO THE NORTH AMERICAN VERTICAL DATUM OF 1988.
3. 10 YEAR FLOOD ELEVATION FROM THE FEMA FLOOD INSURANCE STUDY NO. 33011CV003A.

DWG REV	ISSUED TO	DATE	DRN	CHKD	APPR
0	DOE	04/18/22	NEB	JJD	CRP

EVERSOURCE ENERGY

H123, 115kV LINE
MERRIMACK RIVER CROSSING
LITCHFIELD & MERRIMACK, NEW HAMPSHIRE
EXHIBIT 2

DRAWN NEB	T 0
ENGINEER CRP	
CHECKED JJD	
APPROVED CRP	
DATE 2/14/22	

SCALE AS SHOWN	FILE: H12343901.DWG	DRAWING NO. H12343901
-------------------	---------------------	---------------------------------