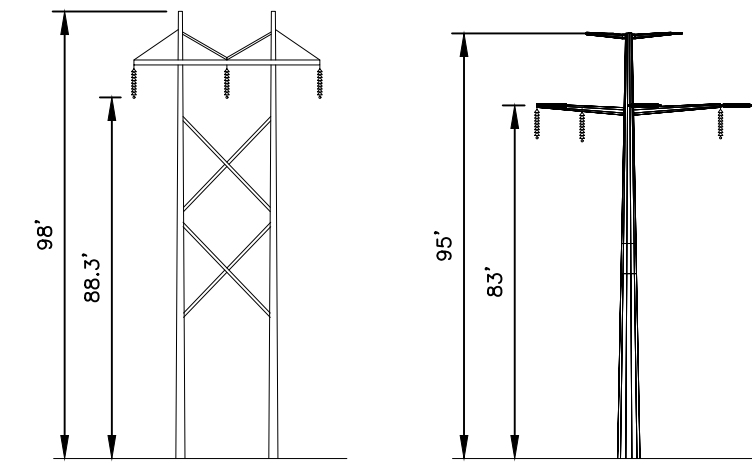
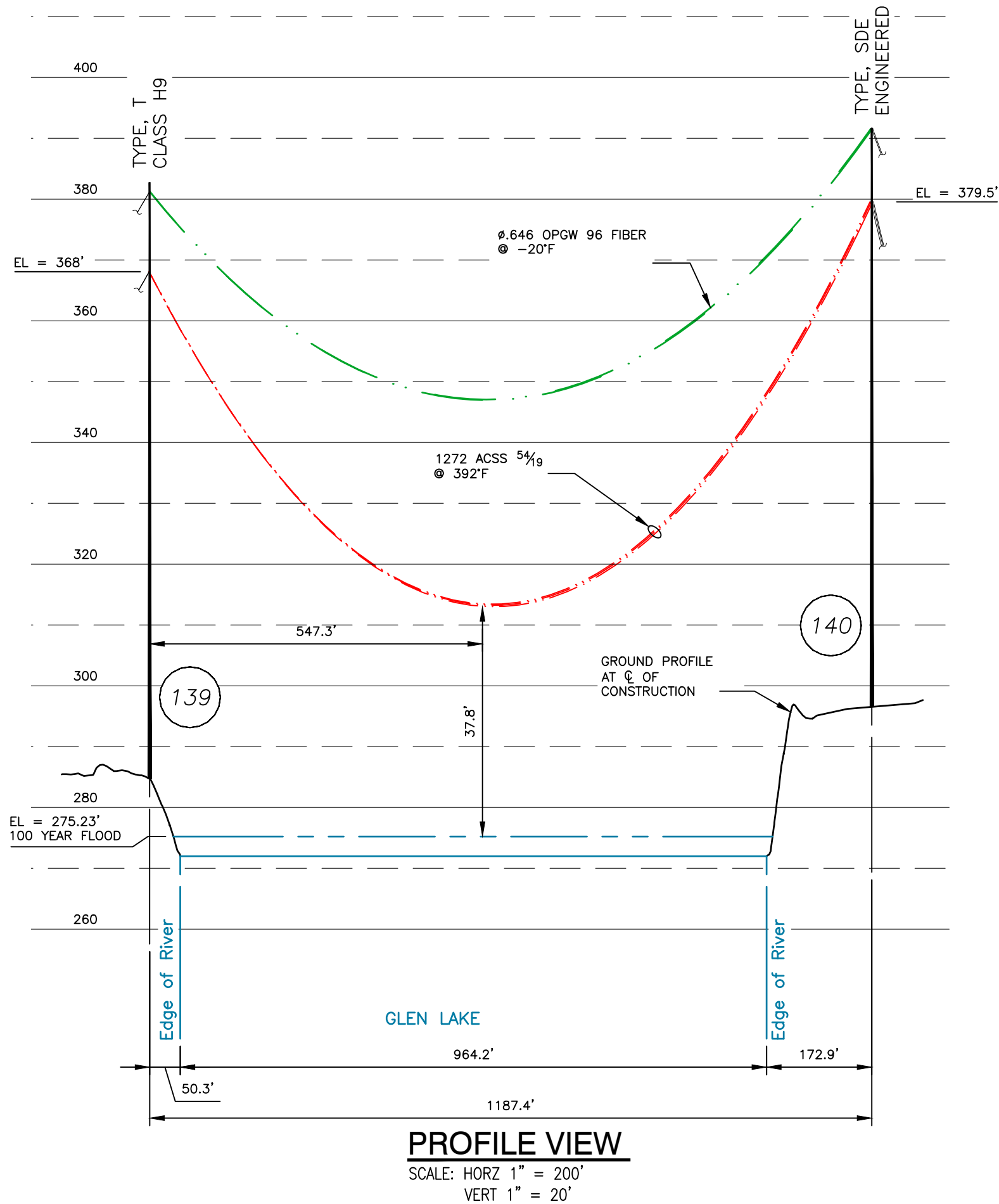


LEGEND:

- Q171 LINE:
- Q171 STR:

DWG REV	EPN/DESCRIPTION	CONT/PE#	DATE	DRN	CHKD	APPR
1	ISSUED TO NHDOE		07/22	GBS	CJN	CJN

EVERSOURCE ENERGY		T	1
Q171 115kV LINE PUBLIC WATERBODY CROSSING, LOCATION PLAN GOFFSTOWN, NEW HAMPSHIRE EXHIBIT 1		DRAWN GBS	ENGINEER CJN
		CHECKED CJN	APPROVED CJN
		DATE 05/27/22	
SCALE 1" = 2500'	FILE: 04068-81001.DWG IMAGE:	DRAWING NO. 04068-81001	

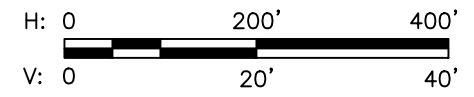


STRUCTURE 139
TYPE T
STR 139: IS A EVERSOURCE TYPE T, SINGLE CIRCUIT STEEL POLE TANGENT, HORIZONTAL CONFIG

STRUCTURE 140
TYPE SDE (ENGINEERED)
STR 140: IS A EVERSOURCE TYPE SDE (ENGINEERED), SINGLE CIRCUIT STEEL POLE DEAD END ANGLE, HORIZONTAL CONFIG

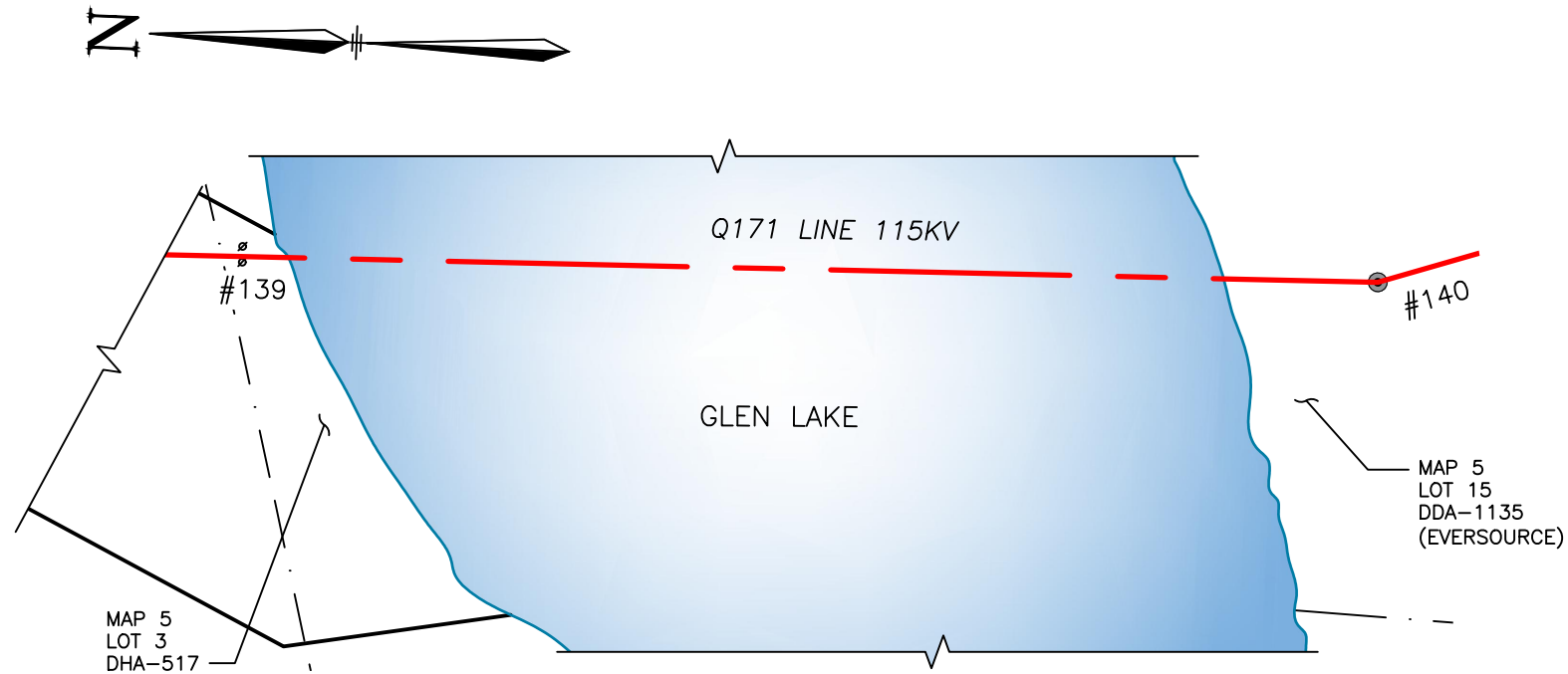
STRUCTURE DETAIL
SCALE: NTS

- NOTES:**
1. PARCEL INFORMATION PROVIDED BY NH GRANIT.
 2. ELEVATIONS REFERENCED TO THE NORTH AMERICAN VERTICAL DATUM OF 1988.
 3. 100 YEAR FLOOD ELEVATION FROM THE FEMA FLOOD MAP SERVICE CENTER, NATIONAL FLOOD HAZARD LAYER FIRMETTE, 05/17/2022.



DWG REV	EPN/DESCRIPTION	CONT/PE#	DATE	DRN	CHKD	APPR
1	ISSUED TO NHDOE		07/22	GBS	CJN	CJN

		T	1
		DRAWN	GBS
Q171, 115kV LINE GLEN LAKE, PUBLIC WATER CROSSING GOFFSTOWN, NEW HAMPSHIRE EXHIBIT 2		ENGINEER	CJN
		CHECKED	CJN
SCALE AS SHOWN FILE: 04068-81001.DWG IMAGE:		APPROVED	CJN
		DATE	05/27/22
DRAWING NO. 04068-81001			



PLAN VIEW
SCALE: 1" = 200'

LEGEND:

- #139 STRUCTURE
- PROPERTY BOUNDARY
- Q171 LINE 115KV LINE, CL OF CONSTRUCTION
- LIMITS OF EVERSOURCE RIGHT OF WAY
- WATERBODY

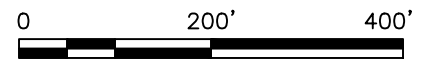
STRUCTURE LOCATION		
STRUCTURE	LONGITUDE	LATITUDE
139	-71.57064655	43.01907797
140	-71.57057096	43.01582065

NESC VERTICAL CLEARANCE (FT) FROM TABLE 232.1, C2-2012	
NATURE OF SURFACE UNDERNEATH WIRES, CONDUCTORS OR CABLES	115kV
WATER AREAS SUITABLE FOR SAIL BOATING INCLUDING LAKES, PONDS, RESERVOIRS, TIDAL WATERS, RIVERS, STREAMS, AND CANALS WITH AN UNUPSTRUCTED SURFACE AREA OF OVER 20 TO 200 ACRES	30.1

CABLE SCHEDULE						
WIRE	QTY OF CABLES	DESCRIPTION	DESIGN CONDITIONS			
			MAX DESIGN TENSION (lb)	TEMP (°F)	ICE (in)	WIND (psf)
CONDUCTOR	3	ACSS, 1272 kcmil 54/19, PHESANT	10000	0	0.5	4
OPGW	2	96F #0.646 AFL S3-81/60/646	6000	0	0.5	4

NOTES:

- PARCEL INFORMATION PROVIDED BY NH GRANIT.
- ELEVATIONS REFERENCED TO THE NORTH AMERICAN VERTICAL DATUM OF 1988.
- 100 YEAR FLOOD ELEVATION FROM THE FEMA FLOOD MAP SERVICE CENTER, NATIONAL FLOOD HAZARD LAYER FIRMETTE, 05/17/2022.



1	ISSUED TO NHDOE	07/22	GBS	CJN	CJN
DWG REV	EPN/DESCRIPTION	CONT/PE#	DATE	DRN	CHKD

<p>EVERSOURCE ENERGY</p> <p>Q171, 115kV LINE GLEN LAKE, PUBLIC WATER CROSSING GOFFSTOWN, NEW HAMPSHIRE EXHIBIT 3</p>	T 1
	DRAWN GBS
	ENGINEER CJN
	CHECKED CJN
	APPROVED CJN
DATE 05/27/22	DRAWING NO. 04068-81001
SCALE 1:200	FILE: 04068-81001.DWG IMAGE: