

LEGEND:

307 LINE:



307 STR:



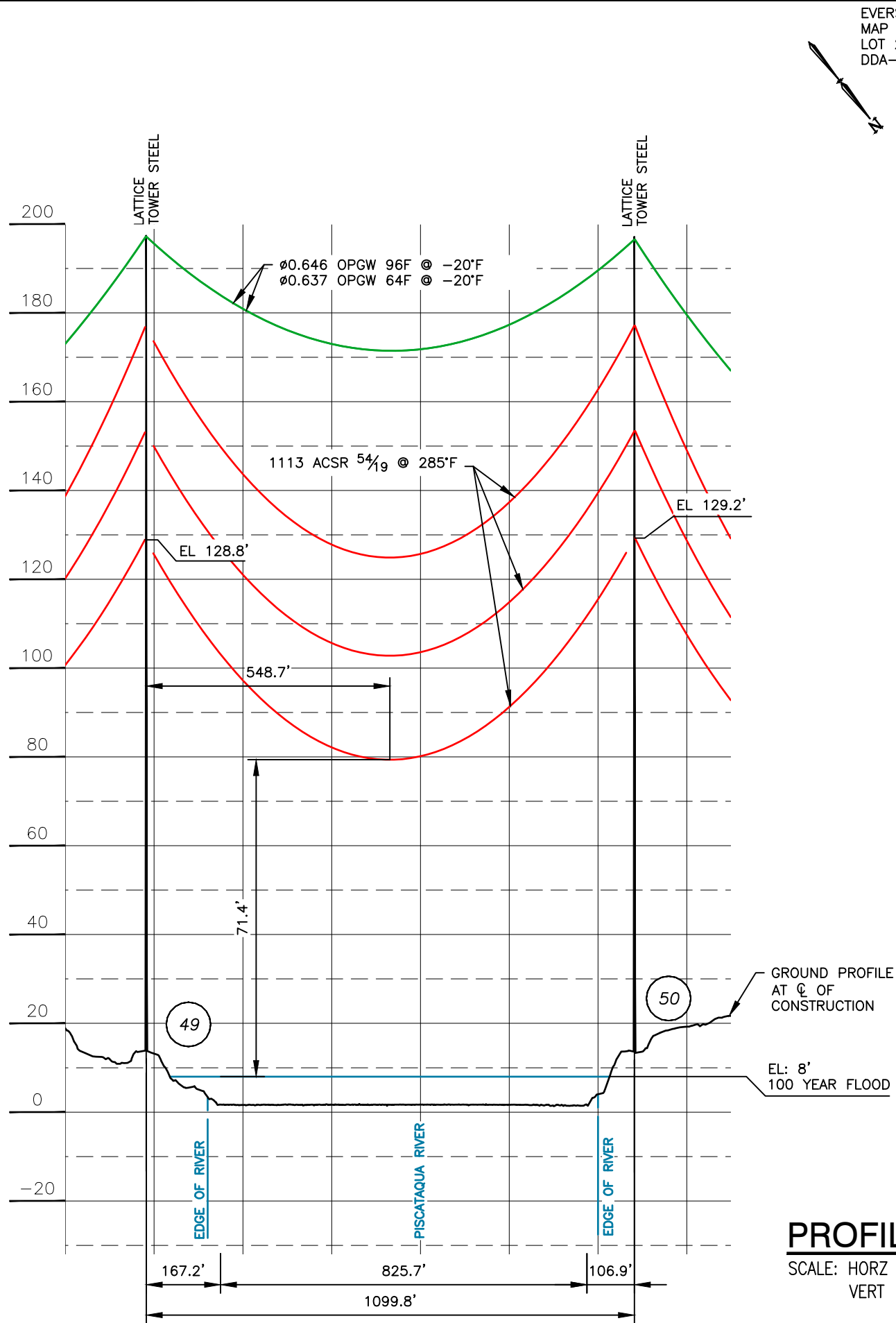
307, 345kV LINE
 PUBLIC WATER CROSSING, LOCATION PLAN
 DURHAM/LEE/NOTTINGHAM/DOVER, NEW HAMPSHIRE & ELIOT, MAINE
 EXHIBIT 1

T	1
DRAWN	CTS
ENGINEER	CJT
CHECKED	CJN
APPROVED	CJT
DATE	1/23/2023

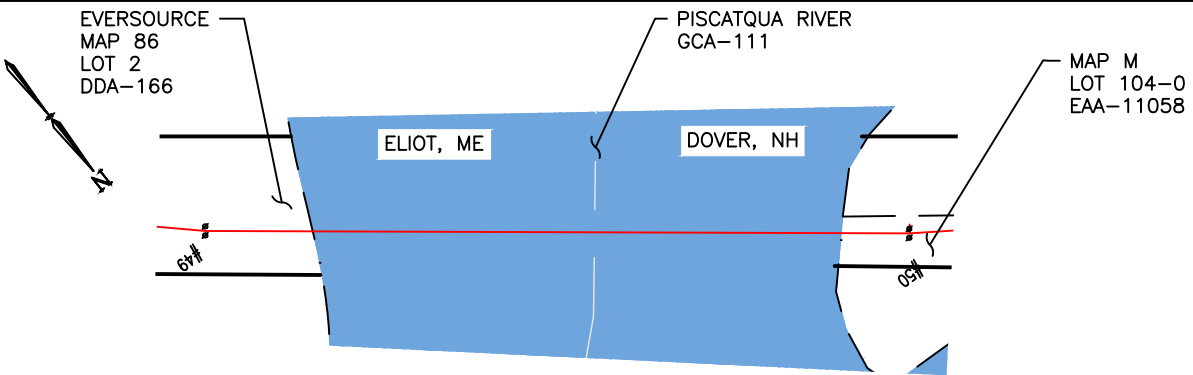
DWG REV	EPN/DESCRIPTION	CONT/PE#	DATE	DRN	CHKD	APPR
1	ISSUED TO DOE		1/17/23	CTS	CJN	CJT

SCALE	FILE: 04301-81001.DWG
1" = 10000'	IMAGE:

DRAWING NO.	04301-81001
-------------	-------------



PROFILE VIEW
SCALE: HORZ 1" = 300'
VERT 1" = 30'



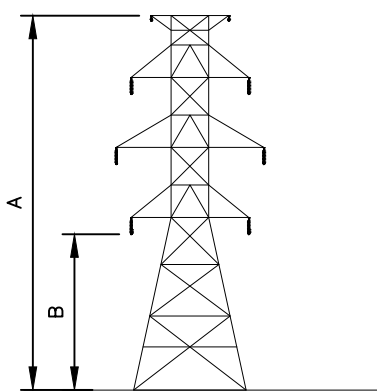
PLAN VIEW
SCALE: 1" = 300'

LEGEND:

- STRUCTURE #49
- PROPERTY BOUNDARY
- 307 LINE 345KV LINE, CL OF CONSTRUCTION
- LIMITS OF EVERSOURCE RIGHT OF WAY
- WATERBODY

STRUCTURE LOCATION		
STRUCTURE	LONGITUDE	LATITUDE
49	-70.82450383	43.17091536
50	-70.82769298	43.17282741

NESC VERTICAL CLEARANCE (FT)		FROM
TABLE 232.1, C2-2012		
NATURE OF SURFACE UNDERNEATH WIRES, CONDUCTORS OR CABLES		345kV
WATER AREAS SUITABLE FOR SAIL BOATING INCLUDING LAKES, PONDS, RESERVOIRS, TIDAL WATERS, RIVERS, STREAMS, AND CANALS WITH AN UNOBSTRUCTED SURFACE AREA OF OVER 2000 ACRES		46.8



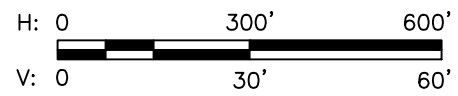
STRUCTURE 49 & 50 STEEL TOWER
STR'S 49 & 50: ARE EVERSOURCE LATTICE TOWERS, DOUBLE CIRCUIT STEEL, VERTICAL CONFIG.

STRUCTURE DETAILS				
STRUCTURE	TYPE	MATERIAL	A	B
49	LATTICE	STEEL	183.6	115
50	LATTICE	STEEL	183.6	115.7

STRUCTURE DETAIL
SCALE: NTS

CABLE SCHEDULE						
WIRE	QTY OF CABLES	DESCRIPTION	DESIGN CONDITIONS			
			MAX DESIGN TENSION (lb)	TEMP (°F)	ICE (in)	WIND (psf)
CONDUCTOR	3	ACSR, 1113 kcmil 54/19, FINCH	11184	0	0.5	4
OPGW	1	64F 0.637 OPGW	6500	0	0.5	4
OPGW	1	96F 0.646 OPGW	7000	0	0.5	4

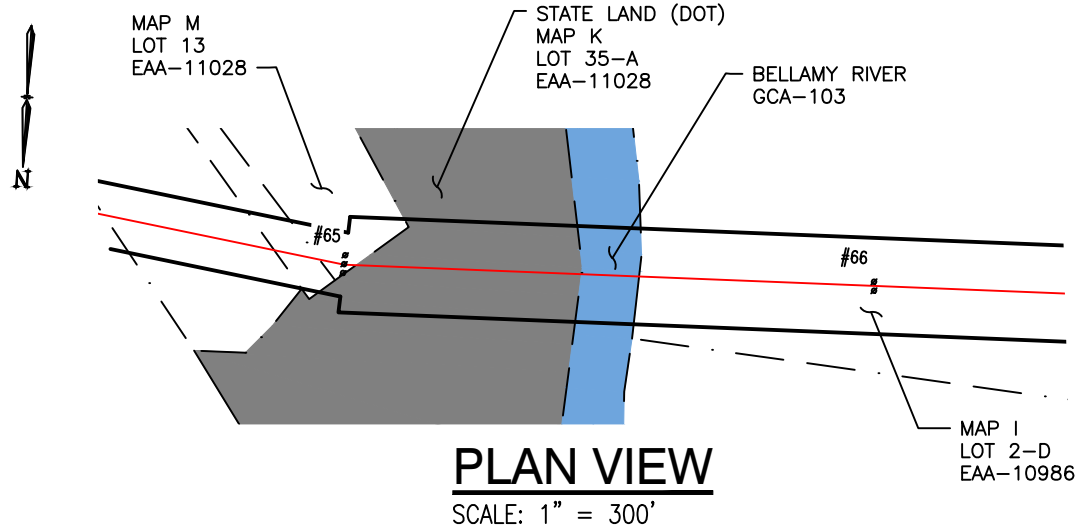
- NOTES:**
1. PARCEL INFORMATION PROVIDED BY NH GRANIT.
 2. ELEVATIONS REFERENCED TO THE NORTH AMERICAN VERTICAL DATUM OF 1988.
 3. 100 YEAR FLOOD ELEVATION FROM THE FEMA FLOOD MAP SERVICE CENTER, NATIONAL FLOOD HAZARD LAYER FIRMETTE, 9/30/2015.



307, 345kV LINE
PISCATAQUA RIVER CROSSING
DOVER, NEW HAMPSHIRE/ELIOT, MAINE
EXHIBIT 2

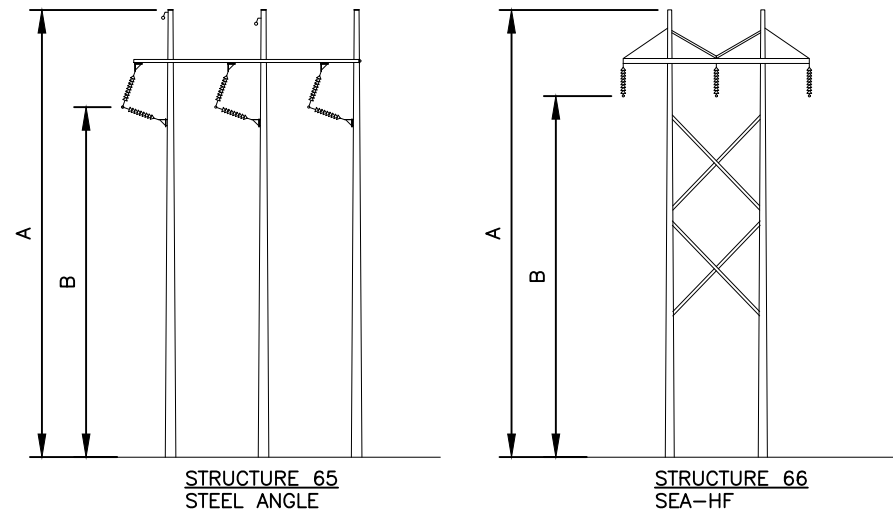
T	1
DRAWN	CTS
ENGINEER	CJT
CHECKED	CJN
APPROVED	CJT
DATE	1/17/2023

DWG REV	ISSUED TO DOE	EPN/DESCRIPTION	CONT/PE#	DATE	DRN	CHKD	APPR
1	ISSUED TO DOE			1/17/23	CTS	CJN	CJT



PLAN VIEW

SCALE: 1" = 300'



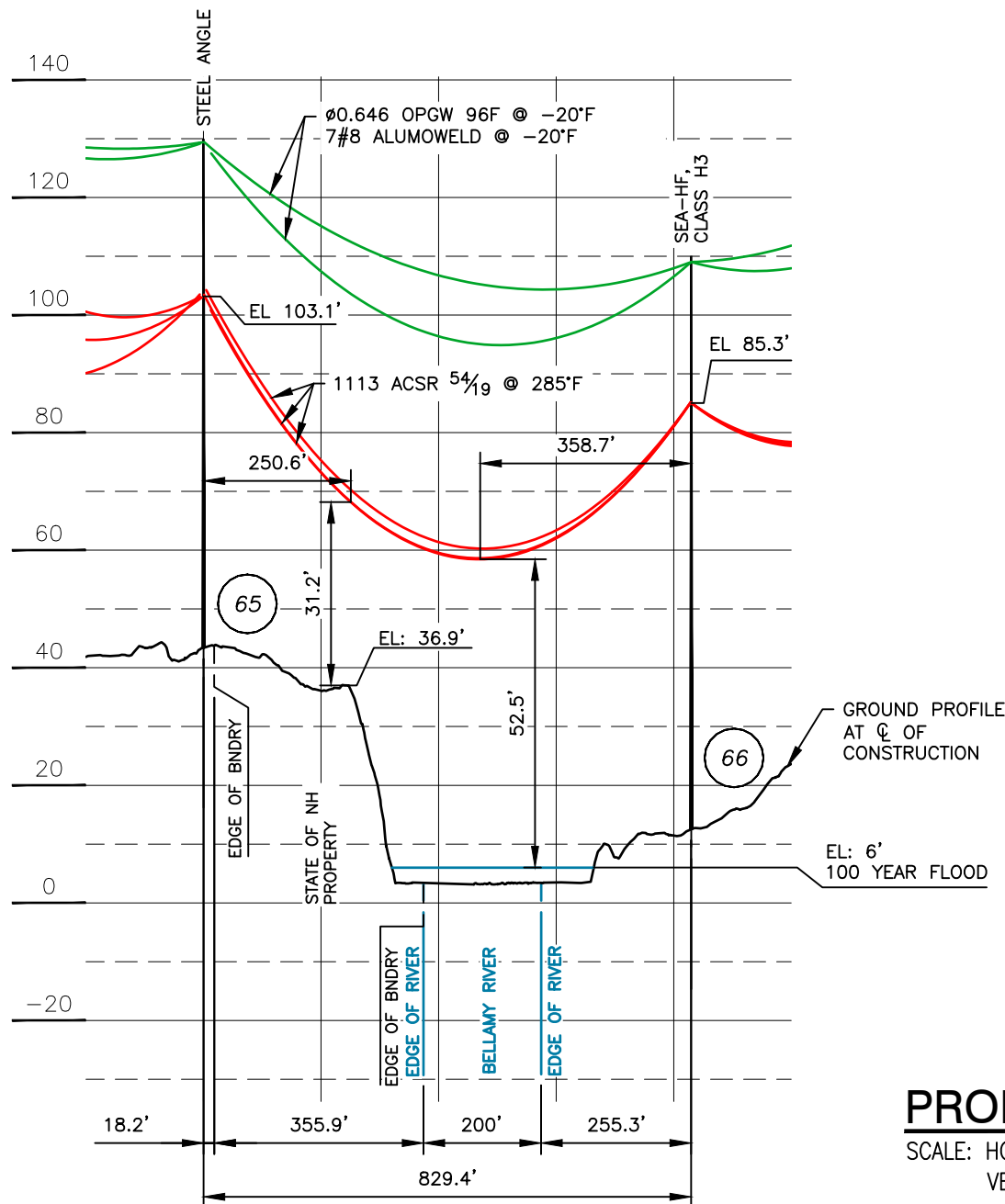
STR 65: IS AN EVERSOURCE TYPE RUNNING ANGLE, SINGLE CIRCUIT STEEL, HORIZONTAL CONFIG.

STR 66: IS AN EVERSOURCE TYPE H-FRAME, SINGLE CIRCUIT STEEL, HORIZONTAL CONFIG.

LEGEND:

- STRUCTURE (GUYED)
- PROPERTY BOUNDARY
- 307 LINE 345KV** LINE, ϕ OF CONSTRUCTION
- LIMITS OF EVERSOURCE RIGHT OF WAY
- WATERBODY
- STATE LAND

STRUCTURE LOCATION		
STRUCTURE	LONGITUDE	LATITUDE
65	-70.85928792	43.16637005
66	-70.86239958	43.16631216



PROFILE VIEW

SCALE: HORZ 1" = 300'
VERT 1" = 30'

STRUCTURE DETAILS				
STRUCTURE	TYPE	MATERIAL	A	B
65	STEEL ANGLE	STEEL	86.5	59.8
66	SEA-HF	STEEL	97.5	72.5

STRUCTURE DETAIL

SCALE: NTS

CABLE SCHEDULE						
WIRE	QTY OF CABLES	DESCRIPTION	DESIGN CONDITIONS			
			MAX DESIGN TENSION (lb)	TEMP (°F)	ICE (in)	WIND (psf)
CONDUCTOR	3	ACSR, 1113 kcmil 54/19, FINCH	11000	0	0.5	4
STATIC	1	7#8 ALUMOWELD	4500	0	0.5	4
OPGW	1	96F ϕ 0.646 OPGW	5000	0	0.5	4

NESC VERTICAL CLEARANCE (FT)		FROM
TABLE 232.1, C2-2012		
NATURE OF SURFACE UNDERNEATH WIRES, CONDUCTORS OR CABLES		345kV
WATER AREAS SUITABLE FOR SAIL BOATING INCLUDING LAKES, PONDS, RESERVOIRS, TIDAL WATERS, RIVERS, STREAMS, AND CANALS WITH AN UNOBSTRUCTED SURFACE AREA OF OVER 2000 ACRES		46.8
OTHER AREAS TRAVERSED BY VEHICLES, SUCH AS CULTIVATED, GRAZING, FOREST, AND ORCHARD LANDS, INDUSTRIAL SITES, COMMERCIAL SITES, ETC		24.8

NOTES:

- PARCEL INFORMATION PROVIDED BY NH GRANIT.
- ELEVATIONS REFERENCED TO THE NORTH AMERICAN VERTICAL DATUM OF 1988.
- THE 100 YEAR FLOOD ELEVATION FROM THE FEMA FLOOD MAP SERVICE CENTER, NATIONAL FLOOD HAZARD LAYER FIRMETTE, 09/30/2015 IS A ZONE A. THE ELEVATION WAS DEVELOPED THROUGH CONTOUR INTERPOLATION AS DEFINED IN THE FEMA APPROXIMATE ZONE A AREAS, A GUIDE FOR OBTAINING AND DEVELOPING BASE (100 YEAR) FLOOD ELEVATIONS, SECTION V. DEVELOPING BASE (100 YEAR) FLOOD ELEVATIONS.



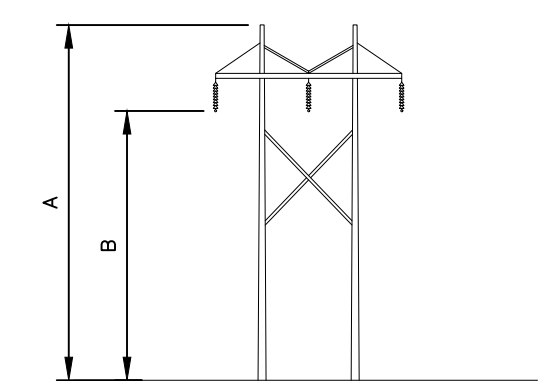
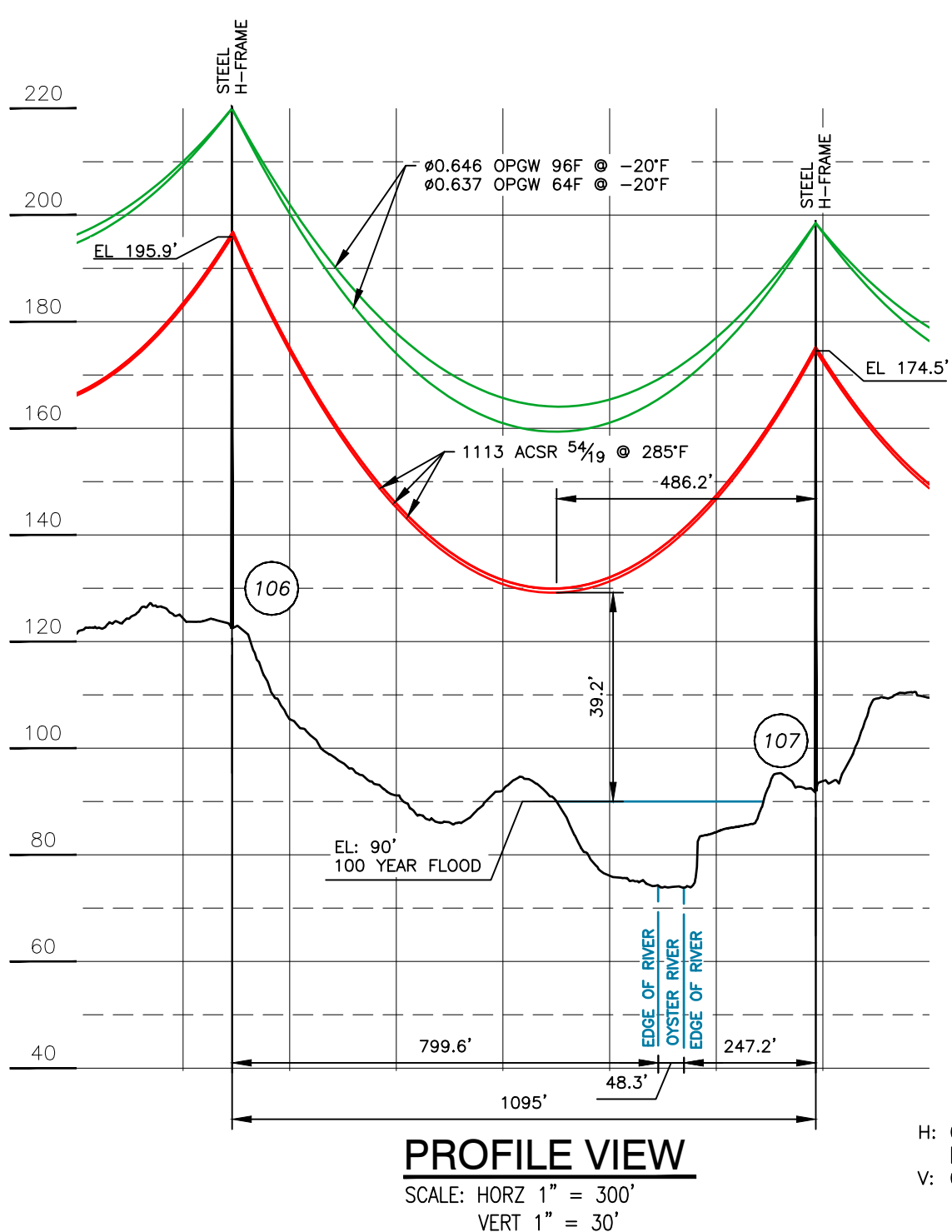
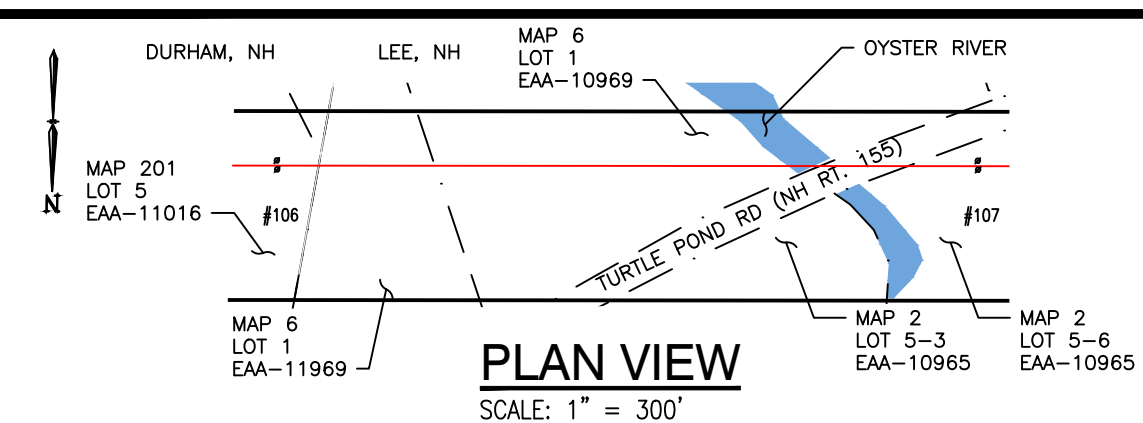
1	ISSUED TO DOE	1/17/23	CTS	CJN	CJT
DWG REV	EPN/DESCRIPTION	CONT/PE#	DATE	DRN	CHKD

EVERSOURCE ENERGY

307, 345kV LINE
BELLAMY RIVER & STATE LAND CROSSING
DOVER, NEW HAMPSHIRE
EXHIBIT 3

SCALE AS SHOWN	FILE: 04301-81001.DWG	DRAWING NO. 04301-81002
-------------------	-----------------------	----------------------------

T	1
DRAWN	CTS
ENGINEER	CJT
CHECKED	CJN
APPROVED	CJT
DATE	1/17/2023



STR'S 106 & 107: ARE EVERSOURCE TYPE H-FRAME, SINGLE CIRCUIT STEEL POLE TANGENT, HORIZONTAL CONFIG.

STRUCTURE DETAILS				
STRUCTURE	TYPE	MATERIAL	A	B
106	H-FRAME	STEEL	98	73.4
107	H-FRAME	STEEL	107	82.5

STRUCTURE DETAIL
SCALE: NTS

CABLE SCHEDULE						
WIRE	QTY OF CABLES	DESCRIPTION	DESIGN CONDITIONS			
			MAX DESIGN TENSION (lb)	TEMP (°F)	ICE (in)	WIND (psf)
CONDUCTOR	3	ACSR, 1113 kcmil 54/19, FINCH	11000	0	0.5	4
OPGW	1	96F Ø0.646 OPGW	5000	0	0.5	4
OPGW	1	64F Ø0.637 OPGW	4400	0	0.5	4

LEGEND:

- STRUCTURE #106
- PROPERTY BOUNDARY
- 307 LINE 345KV
- LINE, CL OF CONSTRUCTION
- LIMITS OF EVERSOURCE RIGHT OF WAY
- WATERBODY

STRUCTURE LOCATION		
STRUCTURE	LONGITUDE	LATITUDE
106	-70.961375	43.158339
107	-70.965479	43.158322

NESC VERTICAL CLEARANCE (FT)	
FROM TABLE 232.1, C2-2012	
NATURE OF SURFACE UNDERNEATH WIRES, CONDUCTORS OR CABLES	345kV
WATER AREAS NOT SUITABLE FOR SAIL BOATING OR WHERE SAIL BOATING IS PROHIBITED	23.0

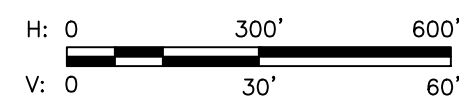
- NOTES:**
1. PARCEL INFORMATION PROVIDED BY NH GRANIT.
 2. ELEVATIONS REFERENCED TO THE NORTH AMERICAN VERTICAL DATUM OF 1988.
 3. THE 100 YEAR FLOOD ELEVATION FROM THE FEMA FLOOD MAP SERVICE CENTER, NATIONAL FLOOD HAZARD LAYER FIRMETTE, 09/30/2015 IS A ZONE A. THE ELEVATION WAS DEVELOPED THROUGH CONTOUR INTERPOLATION AS DEFINED IN THE FEMA APPROXIMATE ZONE A AREAS, A GUIDE FOR OBTAINING AND DEVELOPING BASE (100 YEAR) FLOOD ELEVATIONS, SECTION V. DEVELOPING BASE (100 YEAR) FLOOD ELEVATIONS.

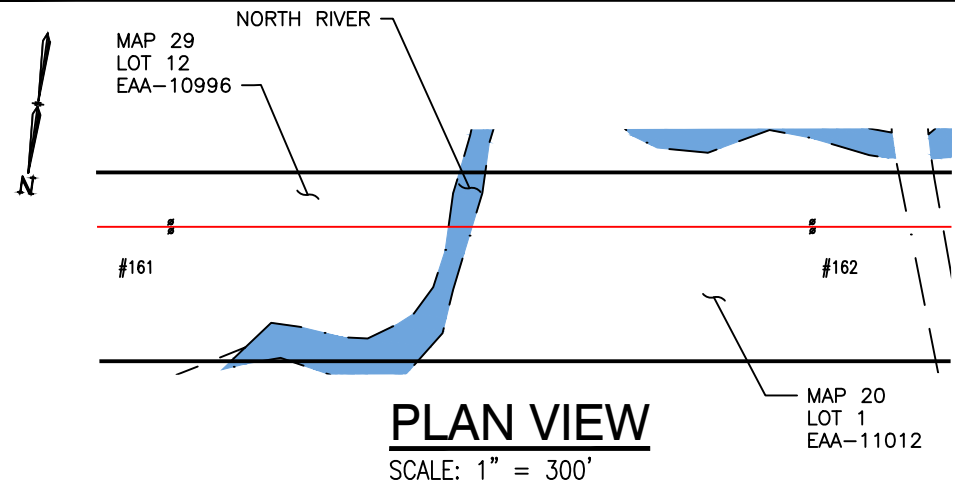
EVERSOURCE ENERGY

T	1
DRAWN	CTS
ENGINEER	CJT
CHECKED	CJN
APPROVED	CJT
DATE	1/17/2023

307, 345kV LINE
OYSTER RIVER CROSSING
DURHAM/LEE, NEW HAMPSHIRE
EXHIBIT 4

1	ISSUED TO DOE	1/17/23	CTS	CJN	CJT
DWG REV	EPN/DESCRIPTION	CONT/PE#	DATE	DRN	CHKD





PLAN VIEW

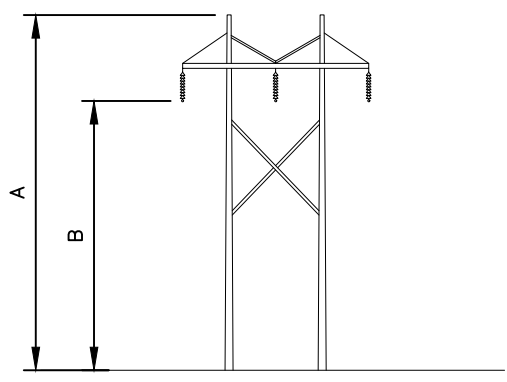
SCALE: 1" = 300'

LEGEND:

- STRUCTURE
- #161 PROPERTY BOUNDARY
- 307 LINE 345KV LINE, CL OF CONSTRUCTION
- LIMITS OF EVERSOURCE RIGHT OF WAY
- WATERBODY

STRUCTURE LOCATION

STRUCTURE	LONGITUDE	LATITUDE
161	-71.1089722	43.14933125
162	-71.1126971	43.14896763



STRUCTURES 161 & 162
TYPE ADS

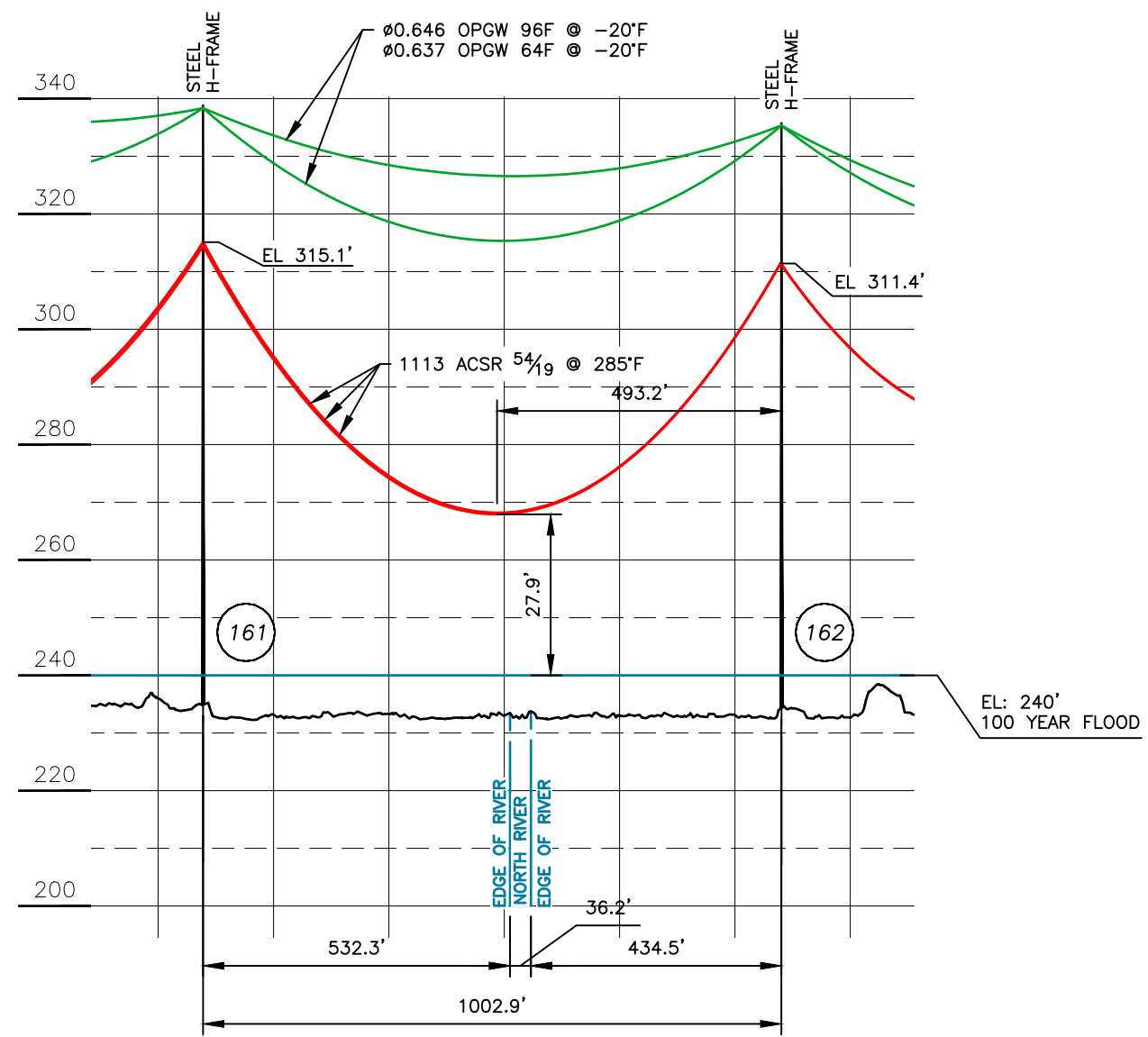
STR'S 161 & 162: ARE EVERSOURCE TYPE H-FRAME, SINGLE CIRCUIT STEEL POLE TANGENT, HORIZONTAL CONFIG.

STRUCTURE DETAILS

STRUCTURE	TYPE	MATERIAL	A	B
161	H-FRAME	STEEL	104	80.2
162	H-FRAME	STEEL	101.5	77.1

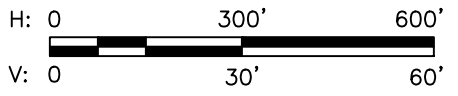
NESSC VERTICAL CLEARANCE (FT)
FROM TABLE 232.1, C2-2012

NATURE OF SURFACE UNDERNEATH WIRES, CONDUCTORS OR CABLES	345kv
WATER AREAS NOT SUITABLE FOR SAIL BOATING OR WHERE SAIL BOATING IS PROHIBITED	23.0



PROFILE VIEW

SCALE: HORZ 1" = 300'
VERT 1" = 30'



STRUCTURE DETAIL

SCALE: NTS

CABLE SCHEDULE

WIRE	QTY OF CABLES	DESCRIPTION	DESIGN CONDITIONS			
			MAX DESIGN TENSION (lb)	TEMP (°F)	ICE (in)	WIND (psf)
CONDUCTOR	3	ACSR, 1113 kcmil 54/19, FINCH	11000	0	0.5	4
OPGW	1	96F Ø0.646 OPGW	6800	0	0.5	4
OPGW	1	64F Ø0.637 OPGW	8300	0	0.5	4

NOTES:

1. PARCEL INFORMATION PROVIDED BY NH GRANIT.
2. ELEVATIONS REFERENCED TO THE NORTH AMERICAN VERTICAL DATUM OF 1988.
3. THE 100 YEAR FLOOD ELEVATION FROM THE FEMA FLOOD MAP SERVICE CENTER, NATIONAL FLOOD HAZARD LAYER FIRMETTE, 05/17/2005 IS A ZONE A. THE ELEVATION WAS DEVELOPED THROUGH CONTOUR INTERPOLATION AS DEFINED IN THE FEMA APPROXIMATE ZONE A AREAS, A GUIDE FOR OBTAINING AND DEVELOPING BASE (100 YEAR) FLOOD ELEVATIONS, SECTION V. DEVELOPING BASE (100 YEAR) FLOOD ELEVATIONS.

T	1
DRAWN	CTS
ENGINEER	CJT
CHECKED	CJN
APPROVED	CJT
DATE	1/17/2023

307, 345kV LINE
NORTH RIVER CROSSING
NOTTINGHAM, NEW HAMPSHIRE
EXHIBIT 5

SCALE AS SHOWN

FILE: 04301-81001.DWG

DRAWING NO. 04301-81001

DWG REV	ISSUED TO DOE	EPN/DESCRIPTION	CONT/PE#	DATE	DRN	CHKD	CJN	CJT
1	ISSUED TO DOE			1/17/23	CTS	CJN	CJT	