



LEGEND:

3135 LINE: 
 3135 STR: 

DWG REV	EPN/DESCRIPTION	CONT/PE#	DATE	DRN	CHKD	APPR
2	PER PUC ADDED STR 101 AND 108 ON MAP		11/21	GBS	CJN	MRC
1	SUBMITTED TO PUC		09/21	GBS	CJN	CJN

EVERSOURCE ENERGY

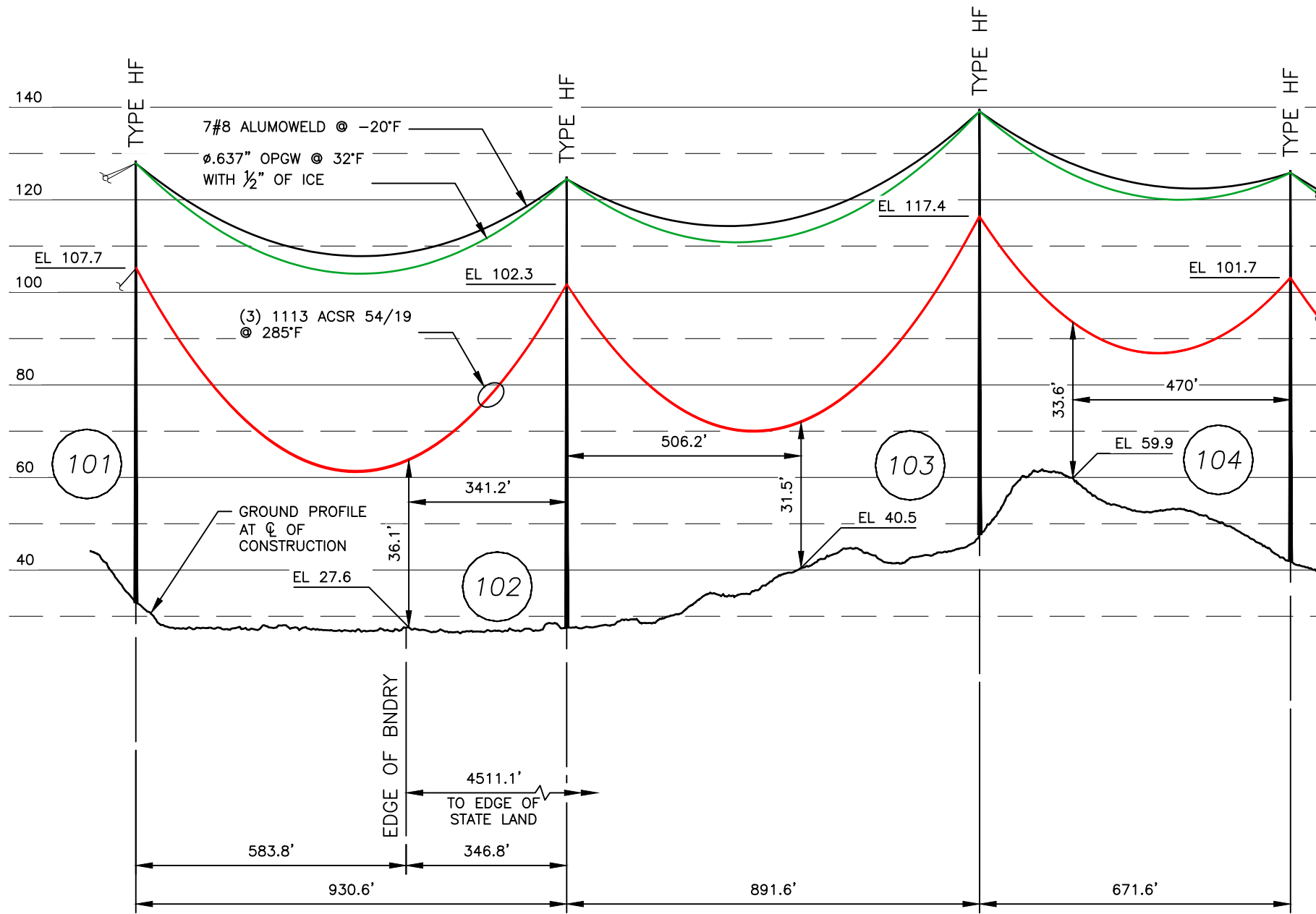
3135, 345kV LINE
 STATE OWNED LAND CROSSING, LOCATION PLAN
 PORTSMOUTH, NEW HAMPSHIRE
 EXHIBIT 1

T	2
DRAWN GBS	
ENGINEER CJN	
CHECKED JRS	
APPROVED JRS	
DATE 07/28/21	

SCALE
1" = 1500'

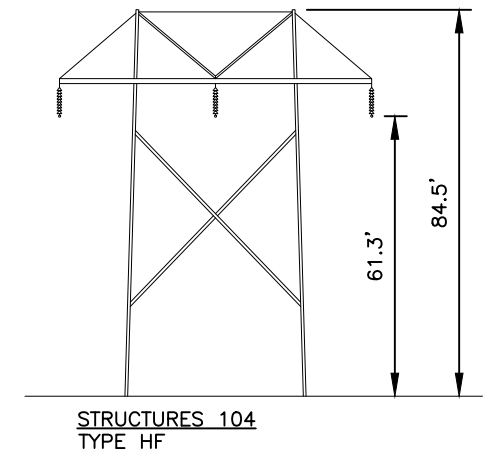
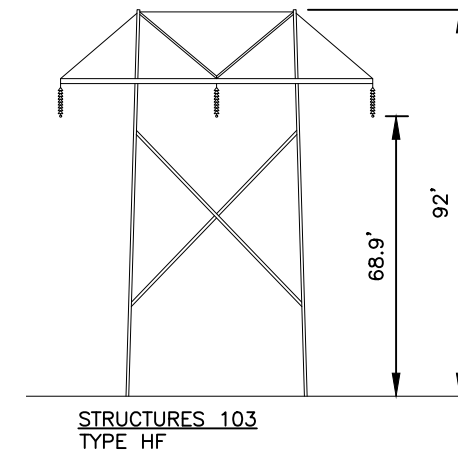
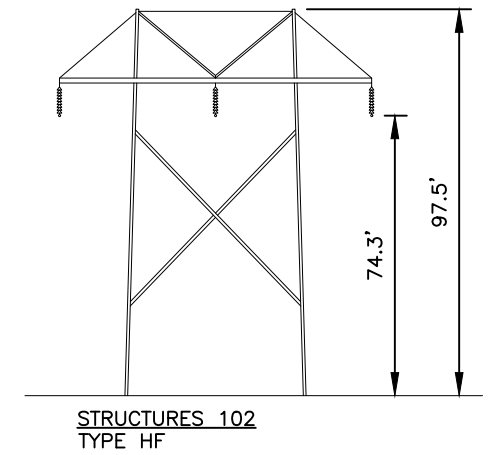
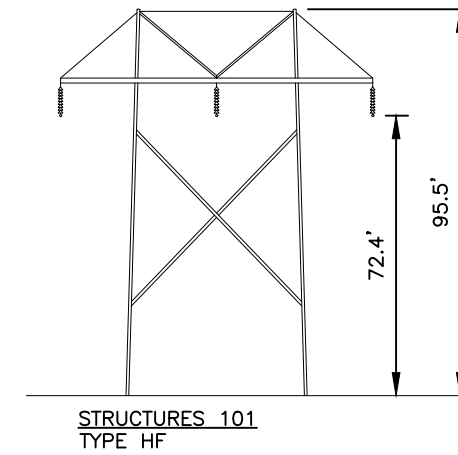
FILE: 313543501.DWG
IMAGE:

DRAWING NO.
313543501



PROFILE VIEW

SCALE: HORZ 1" = 300'
 VERT 1" = 30'



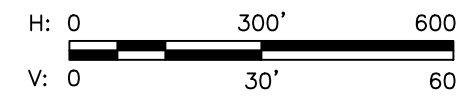
EVERSOURCE TYPE HF, SINGLE
 CIRCUIT HORIZ STEEL FRAME TANGENT

STRUCTURE DETAILS

SCALE: NTS

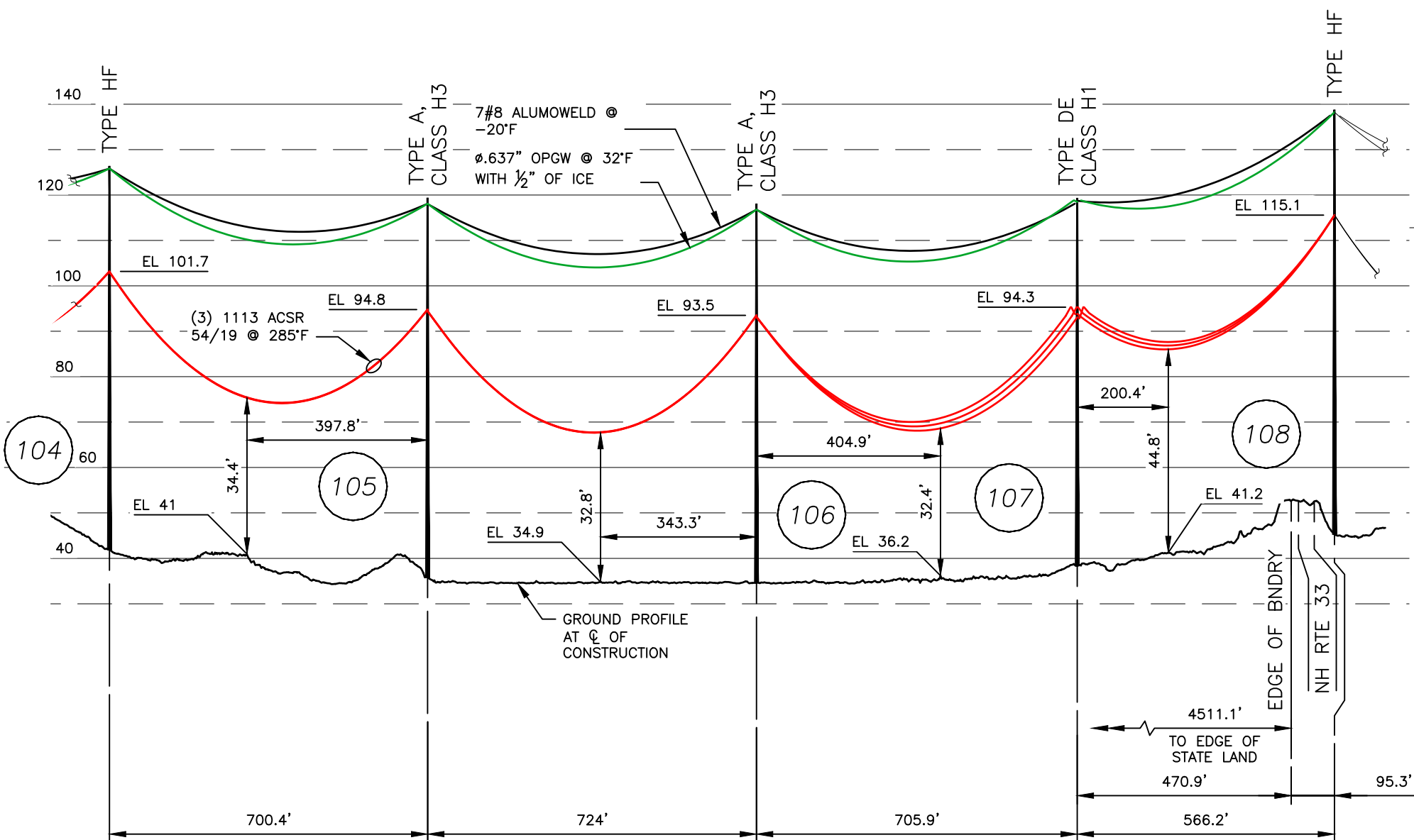
NOTES:

- ELEVATIONS REFERENCED TO THE NORTH AMERICAN VERTICAL DATUM OF 1988.

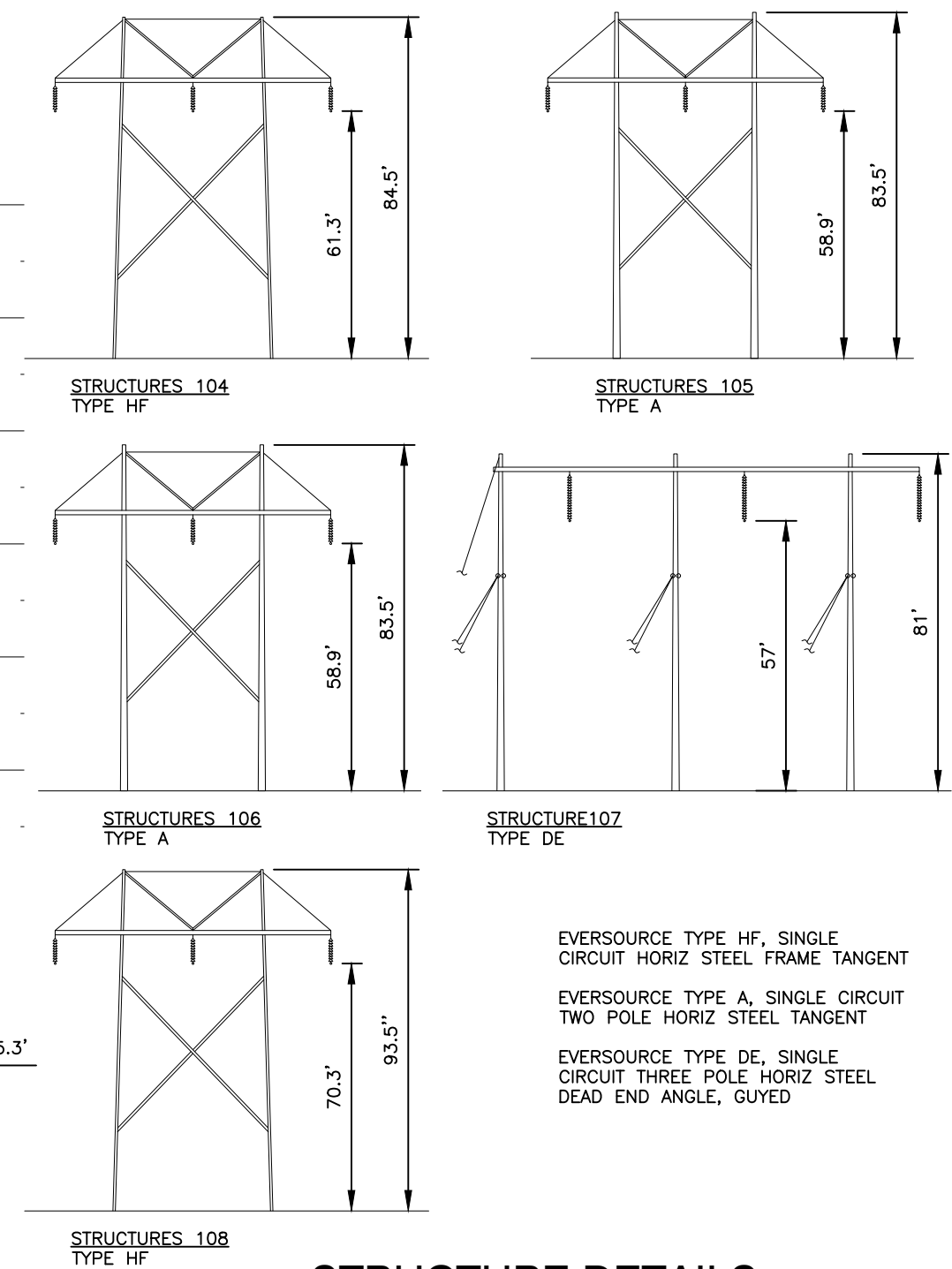


EVERSOURCE ENERGY		T	2
		DRAWN	GBS
3135, 345kV LINE STATE OWNED LAND CROSSING PORTSMOUTH, NEW HAMPSHIRE EXHIBIT 2		ENGINEER	CJN
		CHECKED	CJN
SCALE AS SHOWN		APPROVED	JRS
		DATE	07/28/21
DRAWING NO. 313543501		FILE: 313543501.DWG	

DWG REV	EPN/DESCRIPTION	CONT/PE#	DATE	DRN	CHKD	APPR
2	UPDATED PER PUC		10/21/21	GBS	CJN	CJN
1	SUBMITTED TO PUC		09/21	GBS	CJN	CJN



PROFILE VIEW
 SCALE: HORZ 1" = 300'
 VERT 1" = 30'

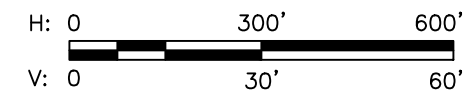


EVERSOURCE TYPE HF, SINGLE
 CIRCUIT HORIZ STEEL FRAME TANGENT

EVERSOURCE TYPE A, SINGLE CIRCUIT
 TWO POLE HORIZ STEEL TANGENT

EVERSOURCE TYPE DE, SINGLE
 CIRCUIT THREE POLE HORIZ STEEL
 DEAD END ANGLE, GUYED

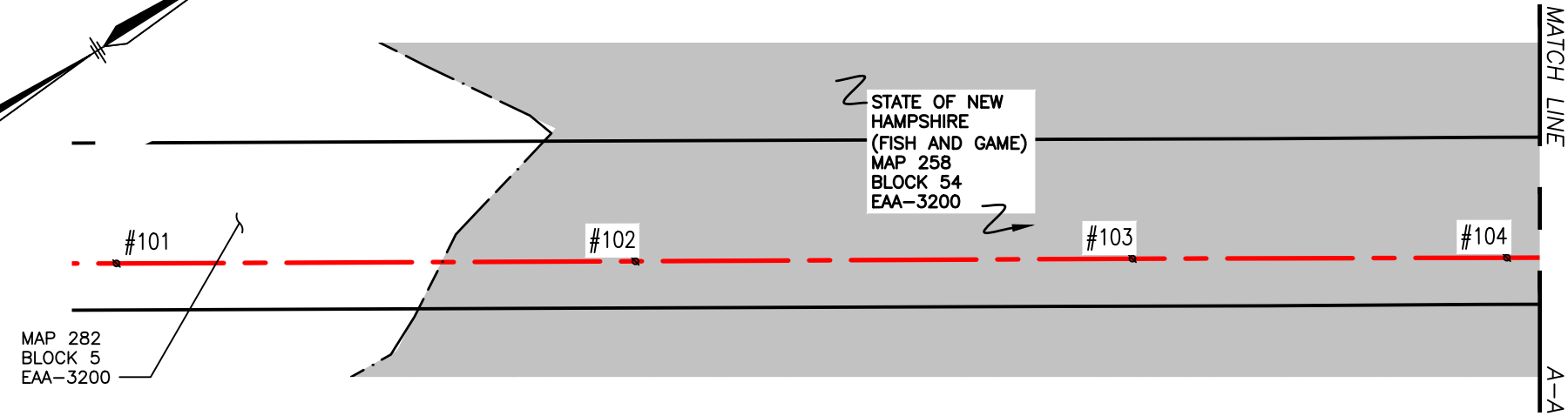
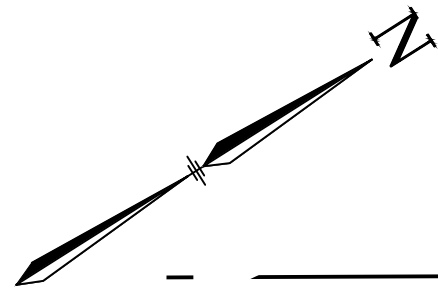
STRUCTURE DETAILS
 SCALE: NTS



NOTES:
 1. ELEVATIONS REFERENCED TO THE NORTH AMERICAN VERTICAL DATUM OF 1988.

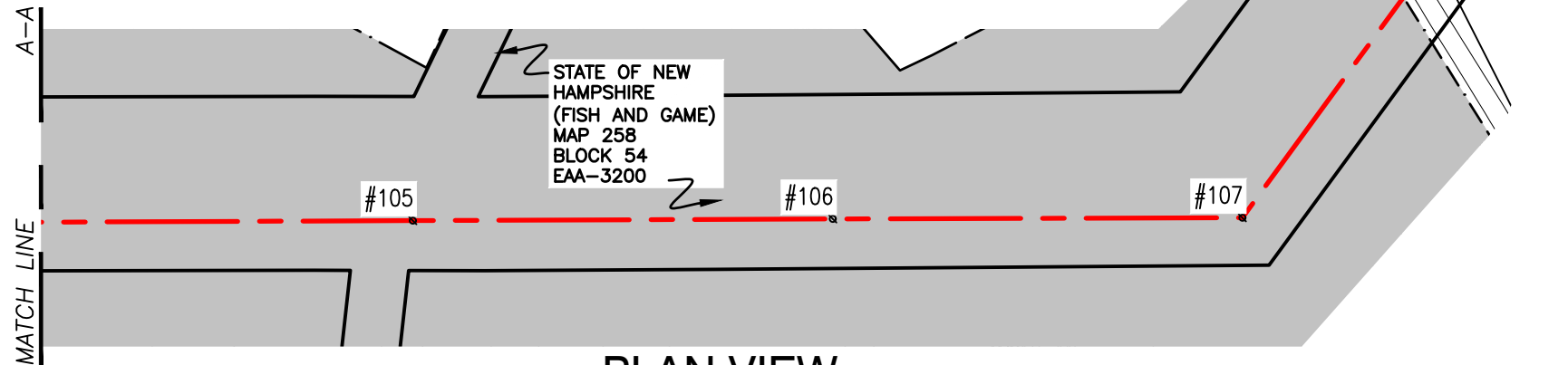
DWG REV	EPN/DESCRIPTION	CONT/PE#	DATE	DRN	CHKD	APPR
2	UPDATED PER PUC		10/21/21	GBS	CJN	CJN
1	SUBMITTED TO PUC		09/21	GBS	CJN	CJN

EVERSOURCE ENERGY		T	2
		DRAWN	GBS
3135, 345kV LINE STATE OWNED LAND CROSSING PORTSMOUTH, NEW HAMPSHIRE EXHIBIT 3		ENGINEER	CJN
		CHECKED	CJN
SCALE AS SHOWN		APPROVED	JRS
		DATE	07/28/21
FILE: 313543501.DWG	DRAWING NO.	313543501	



MAP 282
BLOCK 5
EAA-3200

STATE OF NEW HAMPSHIRE
(FISH AND GAME)
MAP 258
BLOCK 54
EAA-3200

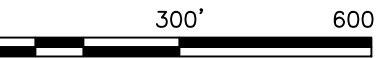


STATE OF NEW HAMPSHIRE
(FISH AND GAME)
MAP 258
BLOCK 54
EAA-3200

MAP 258
BLOCK 36
EAA-3200

PLAN VIEW

SCALE: 1" = 300'



NOTES:

1. PARCEL INFORMATION PROVIDED BY NH GRANIT.

LEGEND:

- #104 STRUCTURE
- STATE OF NEW HAMPSHIRE PROPERTY
- PROPERTY BOUNDARY
- 3135 LINE 345kV LINE, C OF CONST
- LIMITS OF EVERSOURCE RIGHT OF WAY

STRUCTURE LOCATION		
STRUCTURE	LONGITUDE	LATITUDE
101	-70.80047071	43.04492018
102	-70.79859013	43.04706887
103	-70.79679136	43.04912857
104	-70.79543096	43.05067763
105	-70.79401553	43.05229464
106	-70.79255194	43.05396594
107	-70.79112208	43.05559457
108	-70.79187807	43.05704543

NESC VERTICAL CLEARANCE (FT) FROM TABLE 232.1	
NATURE OF SURFACE UNDERNEATH WIRES, CONDUCTORS OR CABLES	345kV
OTHER AREAS TRANSVERSED BY VEHICLES, SUCH AS CULTIVATED, GRAZING, FOREST, AND ORCHARD LANDS, INDUSTRIAL SITES, COMERCIAL SITES, ETC	24.8

CABLE SCHEDULE

WIRE	QTY OF CABLES	DESCRIPTION	DESIGN CONDITIONS			
			MAX DESIGN TENSION (lb)	TEMP (°F)	ICE (in)	WIND (psf)
CONDUCTOR	3	ACSR, 1113 kcmil 54/19, FINCH	10800	0	0.5	4
STATIC	1	7 No. 8 AW	4300	0	0.5	4
OPGW	1	72F #0.637 FOCAS, F-6375EC-423T-072	5700	0	0.5	4

DWG REV	EPN/DESCRIPTION	CONT/PE#	DATE	DRN	CHKD	APPR
2	UPATED PER PUC		10/21/21	GBS	CJN	CJN
1	SUBMITTED TO PUC		09/21	GBS	CJN	CJN

EVERSOURCE ENERGY

3135, 345kV LINE
STATE OWNED LAND CROSSING
PORTSMOUTH, NEW HAMPSHIRE
EXHIBIT 4

SCALE AS SHOWN	FILE: 313543501.DWG	DRAWING NO. 313543501
-------------------	---------------------	--------------------------

T	2
DRAWN GBS	
ENGINEER CJN	
CHECKED CJN	
APPROVED JRS	
DATE 10/21/21	