

LEGEND:

326 LINE: 
 326 STR: 

DWG REV	1	EPN/DESCRIPTION	CONT/PE#	DATE	DRN	CHKD	APPR
	1	SUBMITTED TO STATE PUC		03/21	GBS	CJN	CJN

EVERSOURCE

ENERGY

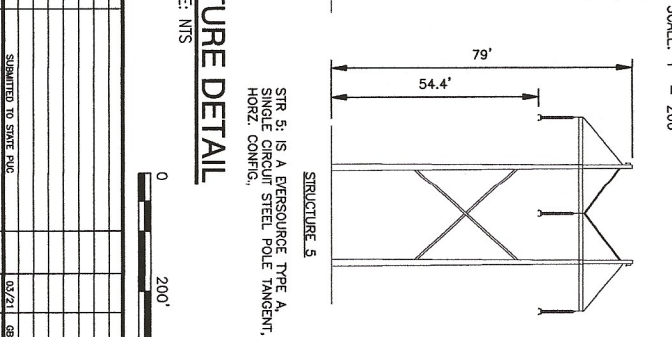
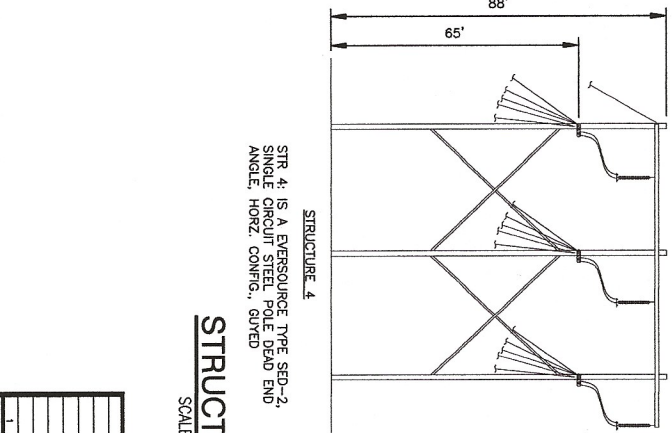
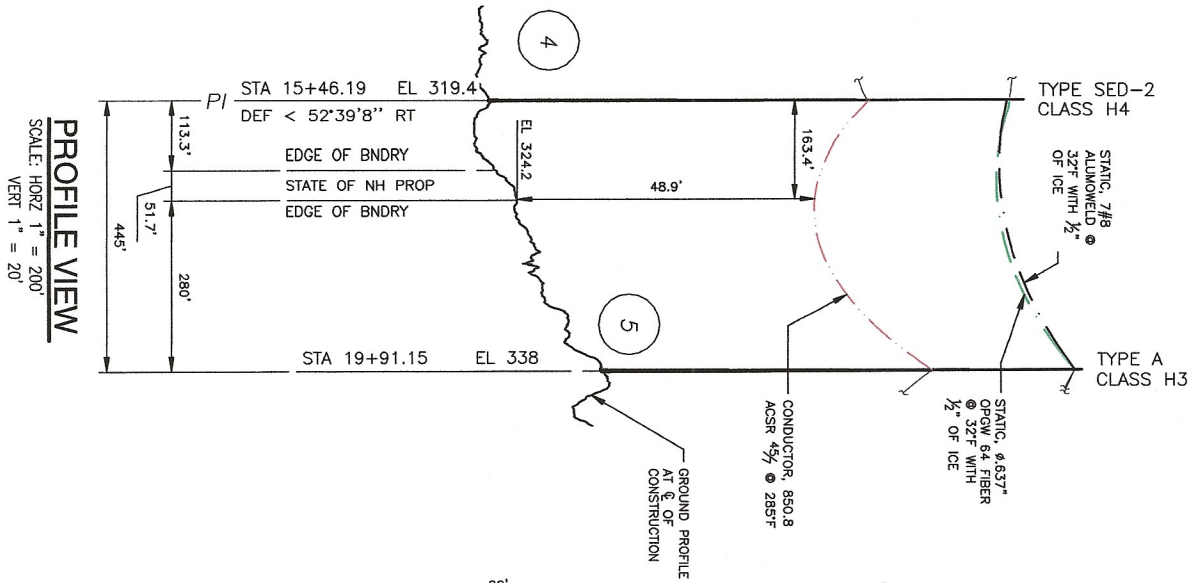
T	1
DRAWN	GBS
ENGINEER	CJN
CHECKED	CJN
APPROVED	CJN
DATE	03/05/21

326, 345kV LINE
STATE OWNED LAND CROSSING, LOCATION PLAN
LONDONDERRY, NEW HAMPSHIRE
EXHIBIT 1

SCALE
1" = 1500'

FILE: 032643501.DWG
IMAGE:

DRAWING NO.
032643501



REV	DATE	BY	CHKD	APP'D	DESCRIPTION
1	03/21/21	SSS	CAN	DML	SUBMITTED TO STATE PUC
					EMP/DESCRIPTION

WIRE	QTY OF CABLES	DESCRIPTION	DESIGN CONDITIONS		
			MAX DESIGN TENSION (lb)	TEMP (°F)	WIND (psf)
CONDUCTOR	3	ACSR, 850.8 kcmil 45/7, BUZZARD	7500	0	0.5
STATIC	1	7/8 AW	5500	0	0.5
OPGW	1	64F 40.637" OPGW	4600	0	0.5

STRUCTURE	LONGITUDE	LATITUDE
4	-71.34577014	42.90158718
5	-71.34738672	42.90130783

NESSC VERTICAL CLEARANCE (FT)
 FROM TABLE 232.1
 NATURE OF SURFACE UNDERNEATH WIRES, CONDUCTORS OR CABLES
 TOP OF TRACK
 32.8

EVERSOURCE ENERGY

326, 345KV LINE
 STATE OWNED LAND CROSSING
 LONDONDERRY, NEW HAMPSHIRE
 EXHIBIT 2

DATE: 03/05/21
 FILE: 032643501.DWG
 WPS: 032643501

DESIGNED BY: GSS
 CHECKED BY: CAN
 ENGINEER: CAN
 APPROVED BY: CAN
 DATE: 03/05/21

LEGEND:

- STRUCTURE (WITH GUYS)
- STATE OF NEW HAMPSHIRE PROPERTY
- PROPERTY BOUNDARY
- 326 LINE 115KV
- LIMITS OF CONSTRUCTION RIGHT OF WAY

NOTES:

- PARCEL INFORMATION PROVIDED BY NH GRANT.
- ELEVATIONS REFERENCED TO THE NORTH AMERICAN VERTICAL DATUM OF 1988.