

**LEGEND:**

- 367 LINE:
- 367 STR:

DWG REV	EPN/DESCRIPTION	CONT/PE#	DATE	DRN	CHKD	APPR
1	ISSUED TO PUC		04/21	JAM	SEK	BRK



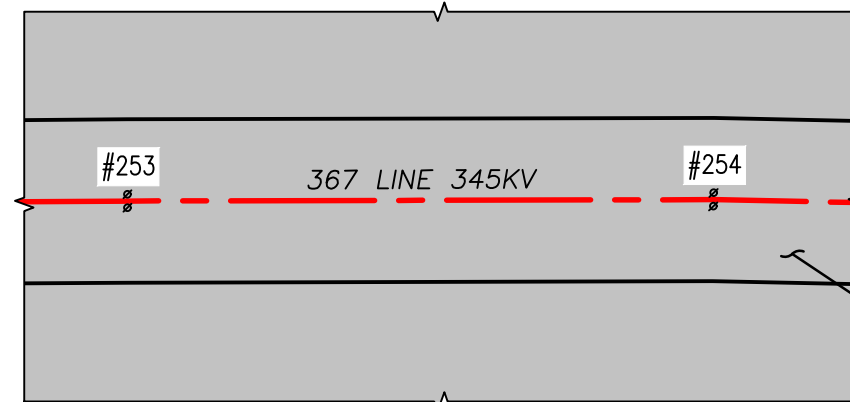
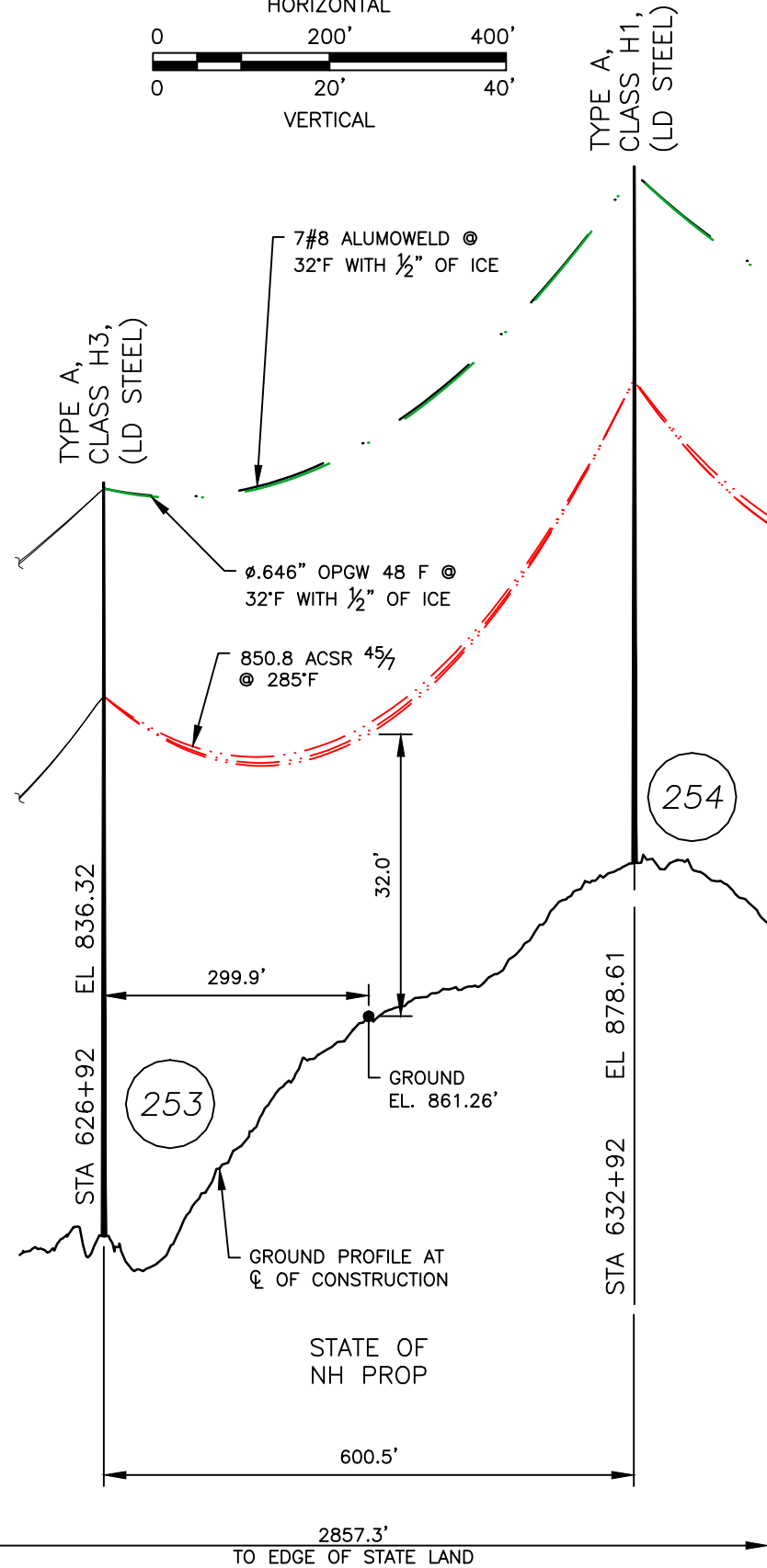
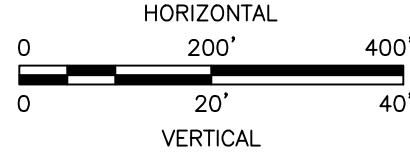
LINE 367, 345kV LINE  
 STATE OWNED LAND CROSSING, LOCATION PLAN  
 GREENVILLE, NEW HAMPSHIRE  
 EXHIBIT 1

T	1
DRAWN JAM/TRC	
ENGINEER GEL/TRC	
CHECKED SEK/TRC	
APPROVED BRK/TRC	
DATE 04/21/2021	

SCALE 1" = 1500'	FILE: 036743503.DWG IMAGE:	DRAWING NO. 036743503
---------------------	-------------------------------	--------------------------

### PROFILE VIEW

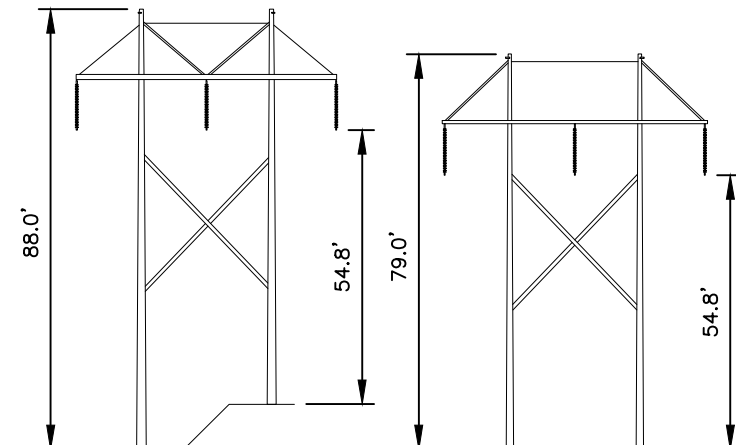
SCALE: HORZ 1" = 200'  
VERT 1" = 20'



NEW HAMPSHIRE  
FISH & GAME  
MAP 3  
LOT 10  
EAA-10762

### PLAN VIEW

SCALE: 1" = 200'



STRUCTURE 253  
TYPE A

STR 253: IS AN EVERSOURCE  
TYPE A, SINGLE CIRCUIT  
STEEL TANGENT STRUCTURE,  
HORIZONTAL CONFIG.

STRUCTURE 254  
TYPE A

STR 254: IS AN EVERSOURCE  
TYPE A, SINGLE CIRCUIT  
STEEL TANGENT STRUCTURE,  
HORIZONTAL CONFIG.

### STRUCTURE DETAILS

SCALE: NTS

### LEGEND:

- #253 STRUCTURE
- STATE OF NEW HAMPSHIRE PROPERTY
- PROPERTY BOUNDARY
- 367 LINE 345KV LINE, C OF CONSTRUCTION
- LIMITS OF EVERSOURCE RIGHT OF WAY

### STRUCTURE LOCATION

STRUCTURE	LONGITUDE	LATITUDE
253	-71.80732983	42.78668287
254	-71.80956362	42.78659508

### NESC VERTICAL CLEARANCE (FT) FROM TABLE 232.1

NATURE OF SURFACE UNDERNEATH WIRES, CONDUCTORS OR CABLES	Clearance (ft)
345kV	34.8
OTHER AREAS TRAVERSED BY VEHICLES, SUCH AS CULTIVATED, GRAZING, FOREST, AND ORCHARD LANDS, INDUSTRIAL SITES, COMMERCIAL SITES, ETC.	24.8

### NOTES:

- PARCEL INFORMATION PROVIDED BY NH GRANIT.
- ELEVATIONS REFERENCED TO THE NORTH AMERICAN VERTICAL DATUM OF 1988.

### CABLE SCHEDULE

WIRE	QTY OF CABLES	DESCRIPTION	DESIGN CONDITIONS			
			MAX DESIGN TENSION (lb)	TEMP (°F)	ICE (in)	WIND (psf)
CONDUCTOR	3	ACSR, 850.8 kcmil 45/7, BUZZARD	7100	0	0.5	4
STATIC	1	7 NO. 8 AW	4000	0	0.5	4
OPGW	1	48F Ø0.646 AFL 53-88/62/646	5200	0	0.5	4



LINE 367, 345kV LINE  
STATE OWNED LAND CROSSING  
GREENVILLE, NEW HAMPSHIRE  
EXHIBIT 2

T	1
DRAWN	JAM/TRC
ENGINEER	GEL/TRC
CHECKED	SEK/TRC
APPROVED	BRK/TRC
DATE	04/21/2021

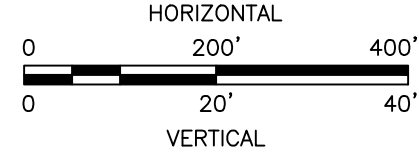
DWG REV	ISSUED TO PUC	EPN/DESCRIPTION	CONT/PE#	DATE	JAM	SEK	BRK
1				04/21	JAM	SEK	BRK

ES VER: 12/2016

4/15/2021 7:52 AM - Skern - C:\pwworking\emp\pw1\d3987898\036743503.dwg - EXHIBIT 3

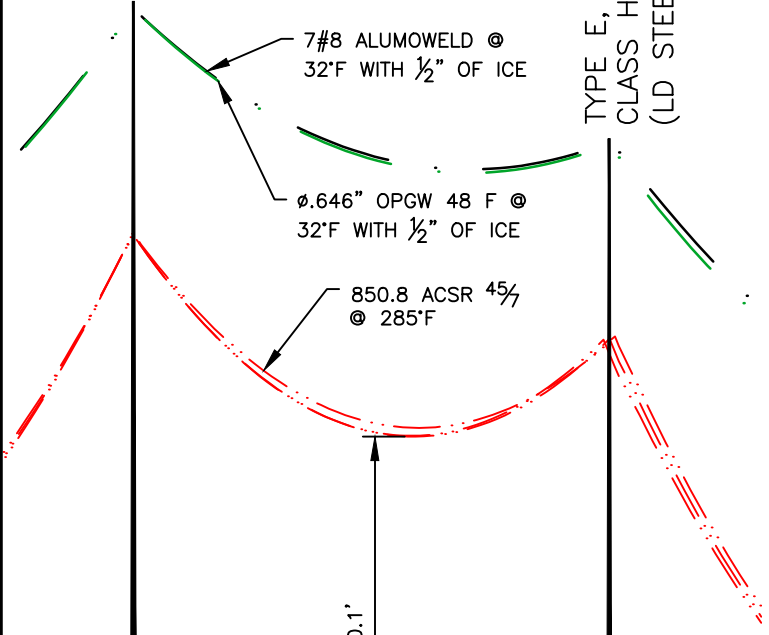
### PROFILE VIEW

SCALE: HORZ 1" = 200'  
VERT 1" = 20'



TYPE A, CLASS H1, (LD STEEL)  
7#8 ALUMOWELD @ 32' F WITH 1/2" OF ICE  
Ø.646" OPGW 48 F @ 32' F WITH 1/2" OF ICE  
TYPE E, CLASS H3, (LD STEEL)

850.8 ACSR 45/7 @ 285°F



254

255

GROUND EL. 872.19'

STATE OF NH PROP

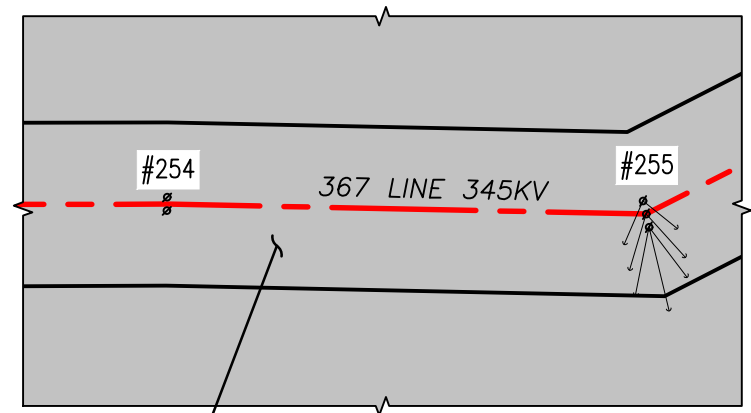
GROUND PROFILE AT Q OF CONSTRUCTION

STA 632+92 EL 878.61

PI STA 637+87.89 EL 859.79  
DEF < 25'47'15" LT

2857.3' TO EDGE OF STATE LAND

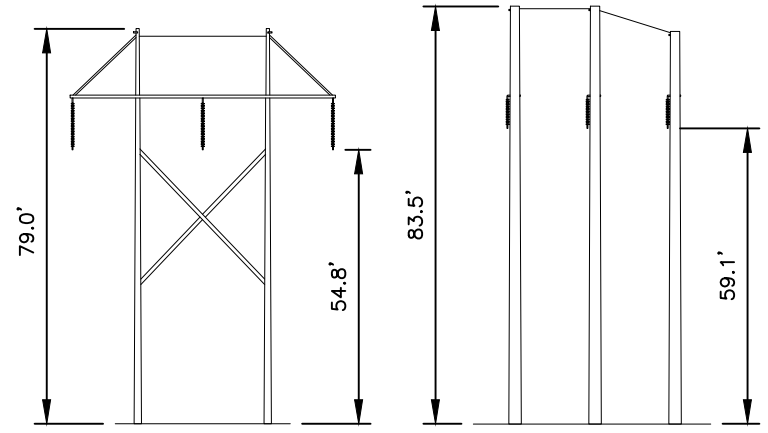
495.7'



### PLAN VIEW

SCALE: 1" = 200'

NEW HAMPSHIRE FISH & GAME MAP 3 LOT 10 EAA-10762



STRUCTURE 254 TYPE A

STR 254: IS AN EVERSOURCE TYPE A, SINGLE CIRCUIT STEEL TANGENT STRUCTURE, HORIZONTAL CONFIG.

STRUCTURE 255 TYPE E

STR 255: IS AN EVERSOURCE TYPE E, SINGLE CIRCUIT STEEL ANGLE STRUCTURE, HORIZONTAL CONFIG., GUYED.

### STRUCTURE DETAILS

SCALE: NTS

### LEGEND:

- #255 STRUCTURE (WITH GUYS)
- STATE OF NEW HAMPSHIRE PROPERTY
- PROPERTY BOUNDARY
- 367 LINE 345KV LINE, Q OF CONSTRUCTION
- LIMITS OF EVERSOURCE RIGHT OF WAY

### STRUCTURE LOCATION

STRUCTURE	LONGITUDE	LATITUDE
254	-71.80956362	42.78659508
255	-71.81140776	42.78652258

### NESC VERTICAL CLEARANCE (FT) FROM TABLE 232.1

NATURE OF SURFACE UNDERNEATH WIRES, CONDUCTORS OR CABLES	345kV
OTHER AREAS TRAVERSED BY VEHICLES, SUCH AS CULTIVATED, GRAZING, FOREST, AND ORCHARD LANDS, INDUSTRIAL SITES, COMMERCIAL SITES, ETC.	24.8

### NOTES:

- PARCEL INFORMATION PROVIDED BY NH GRANIT.
- ELEVATIONS REFERENCED TO THE NORTH AMERICAN VERTICAL DATUM OF 1988.

CABLE SCHEDULE						
WIRE	QTY OF CABLES	DESCRIPTION	DESIGN CONDITIONS			
			MAX DESIGN TENSION (lb)	TEMP (°F)	ICE (in)	WIND (psf)
CONDUCTOR	3	ACSR, 850.8 kcmil 45/7, BUZZARD	7100	0	0.5	4
STATIC	1	7 NO. 8 AW	4000	0	0.5	4
OPGW	1	48F Ø0.646 AFL 53-88/62/646	5200	0	0.5	4

T	1
DRAWN	JAM/TRC
ENGINEER	GEL/TRC
CHECKED	SEK/TRC
APPROVED	BRK/TRC
DATE	04/21/2021

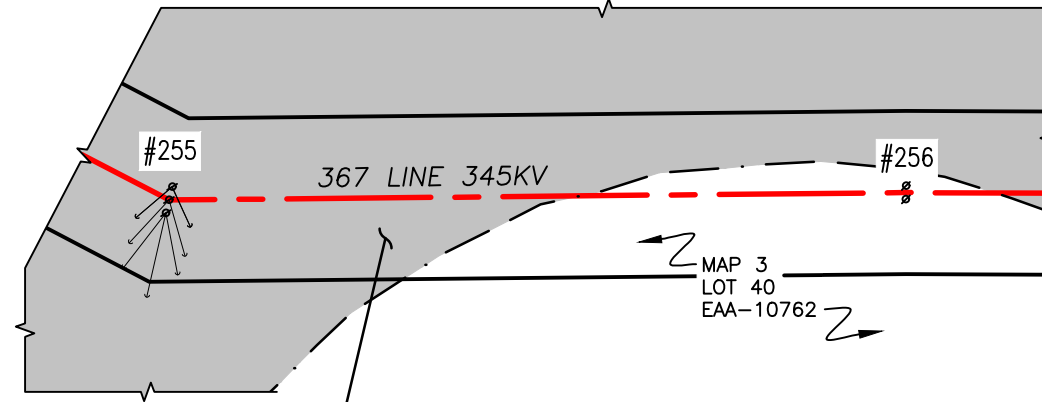
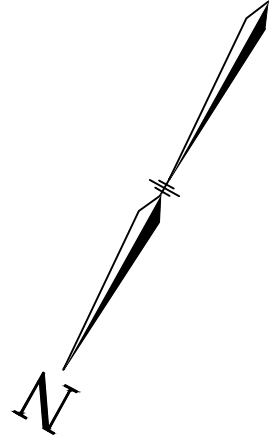
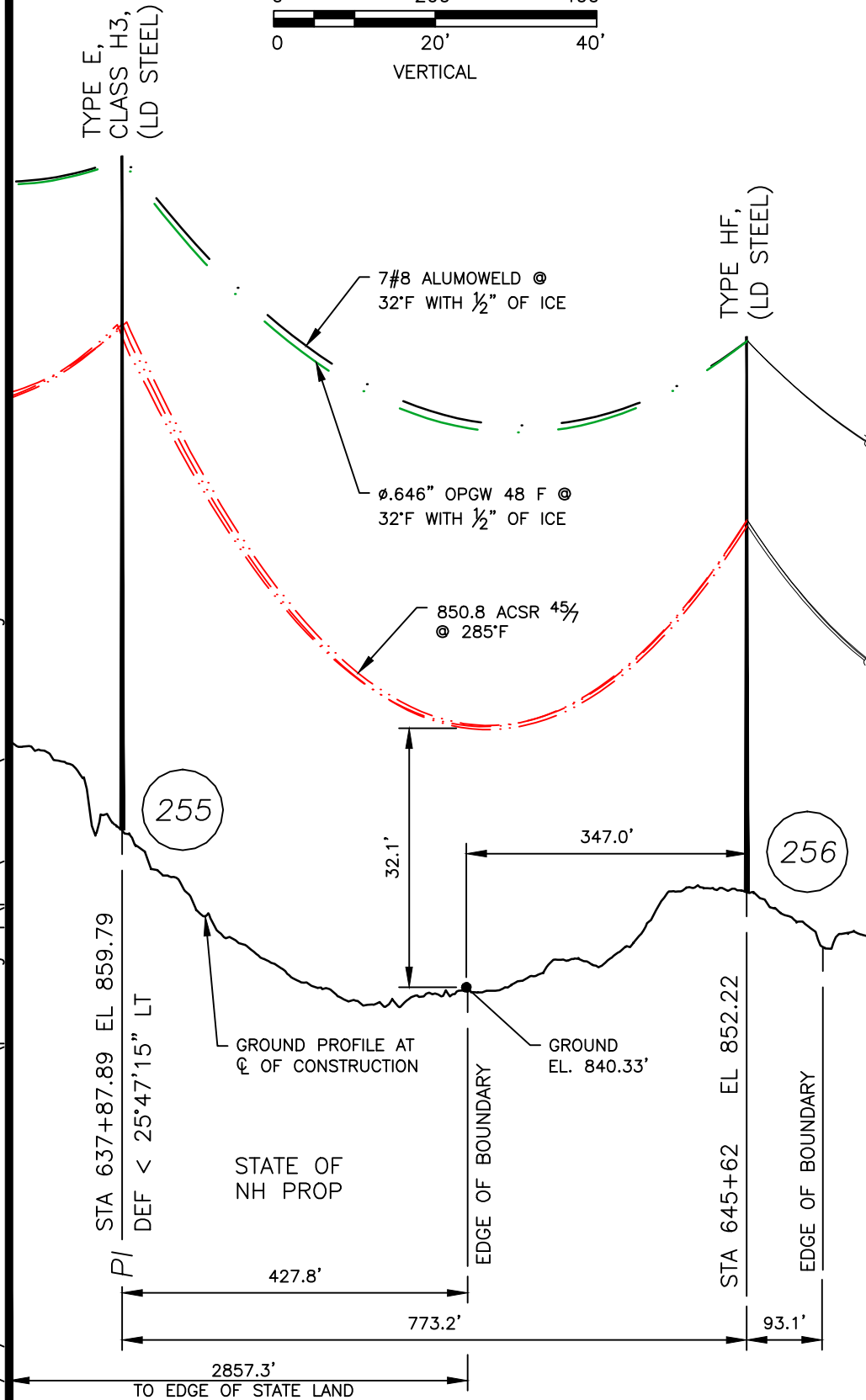
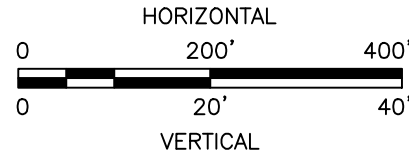
**LINE 367, 345kV LINE  
STATE OWNED LAND CROSSING  
GREENVILLE, NEW HAMPSHIRE  
EXHIBIT 3**

SCALE AS SHOWN	FILE: 036743503.DWG IMAGE:	DRAWING NO. <b>036743503</b>
-------------------	-------------------------------	---------------------------------

DWG REV	ISSUED TO PUC EPN/DESCRIPTION	CONT/PE#	DATE	JAM DRN	SEK CHKD	BRK APPR
1			04/21			

### PROFILE VIEW

SCALE: HORZ 1" = 200'  
VERT 1" = 20'



### PLAN VIEW

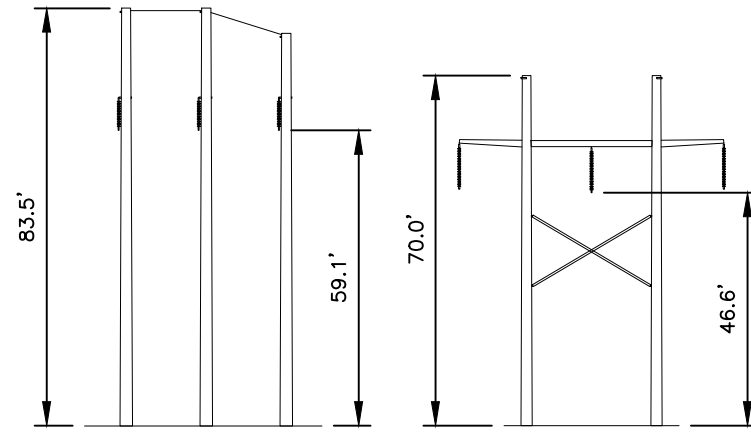
SCALE: 1" = 200'

### LEGEND:

- #255 STRUCTURE (WITH GUYS)
- STATE OF NEW HAMPSHIRE PROPERTY
- PROPERTY BOUNDARY
- 367 LINE 345KV LINE, C OF CONSTRUCTION
- LIMITS OF EVERSOURCE RIGHT OF WAY

STRUCTURE LOCATION		
STRUCTURE	LONGITUDE	LATITUDE
255	-71.81140776	42.78652258
256	-71.81394024	42.78551185

NESC VERTICAL CLEARANCE (FT) FROM TABLE 232.1	
NATURE OF SURFACE UNDERNEATH WIRES, CONDUCTORS OR CABLES	345kV
OTHER AREAS TRAVERSED BY VEHICLES, SUCH AS CULTIVATED, GRAZING, FOREST, AND ORCHARD LANDS, INDUSTRIAL SITES, COMMERCIAL SITES, ETC.	24.8



**STRUCTURE 255**  
TYPE E  
STR 255: IS AN EVERSOURCE TYPE E, SINGLE CIRCUIT STEEL ANGLE STRUCTURE, HORIZONTAL CONFIG., GUYED.

**STRUCTURE 256**  
TYPE HF  
STR 256: IS AN EVERSOURCE TYPE HF, SINGLE CIRCUIT STEEL TANGENT STRUCTURE, HORIZONTAL CONFIG.

### STRUCTURE DETAILS

SCALE: NTS

CABLE SCHEDULE						
WIRE	QTY OF CABLES	DESCRIPTION	DESIGN CONDITIONS			
			MAX DESIGN TENSION (lb)	TEMP (°F)	ICE (in)	WIND (psf)
CONDUCTOR	3	ACSR, 850.8 kcmil 45/7, BUZZARD	7100	0	0.5	4
STATIC	1	7 NO. 8 AW	4000	0	0.5	4
OPGW	1	48F Ø0.646 AFL 53-88/62/646	5200	0	0.5	4

### NOTES:

- PARCEL INFORMATION PROVIDED BY NH GRANIT.
- ELEVATIONS REFERENCED TO THE NORTH AMERICAN VERTICAL DATUM OF 1988.

**LINE 367, 345kV LINE  
STATE OWNED LAND CROSSING  
GREENVILLE, NEW HAMPSHIRE  
EXHIBIT 4**

SCALE AS SHOWN	FILE: 036743503.DWG IMAGE:	DRAWING NO. <b>036743503</b>
-------------------	-------------------------------	---------------------------------

DWG REV	ISSUED TO PUC EPN/DESCRIPTION	CONT/PE#	DATE	JAM DRN	SEK CHKD	BRK APPR
1	ISSUED TO PUC		04/21	JAM	SEK	BRK