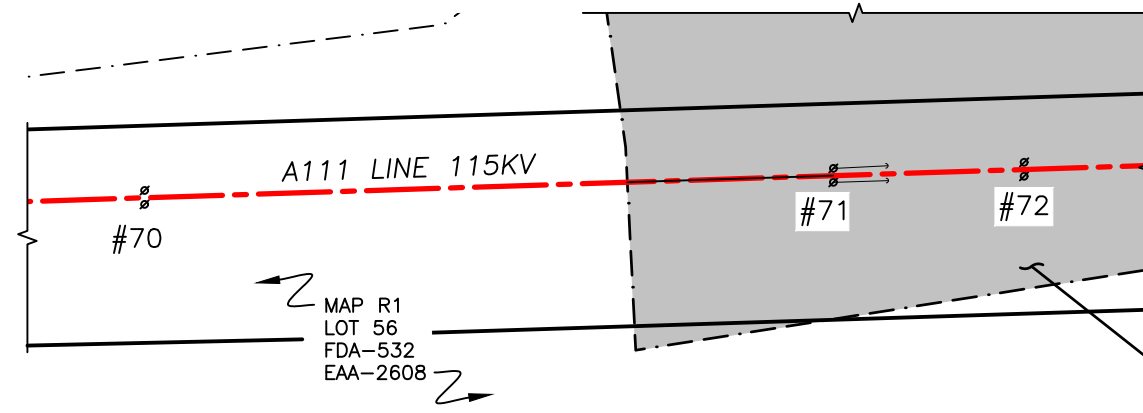
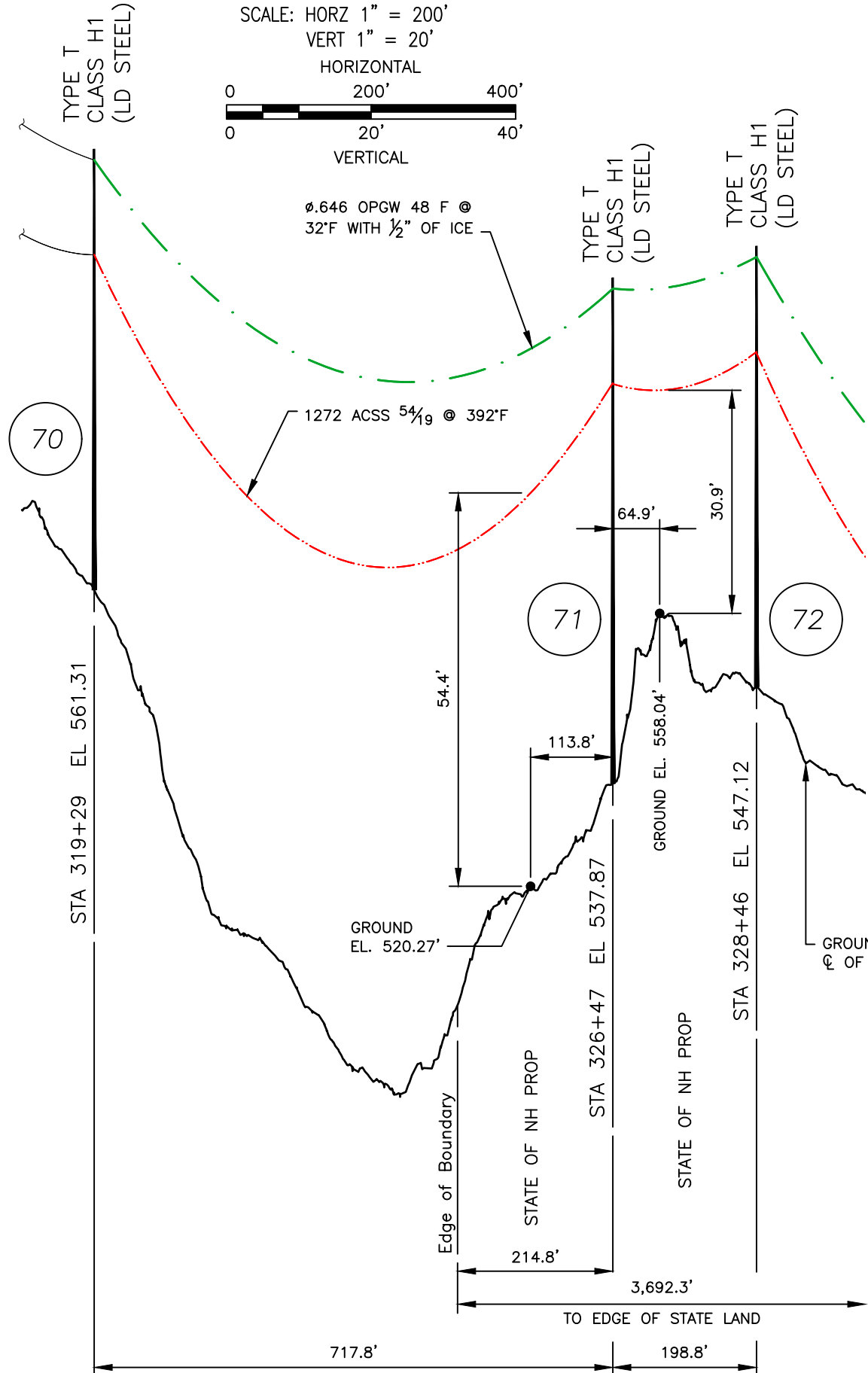
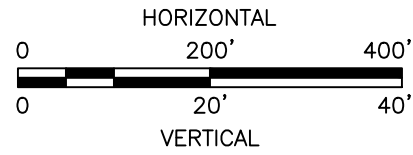


PROFILE VIEW

SCALE: HORZ 1" = 200'
VERT 1" = 20'



PLAN VIEW

SCALE: 1" = 200'

LEGEND:

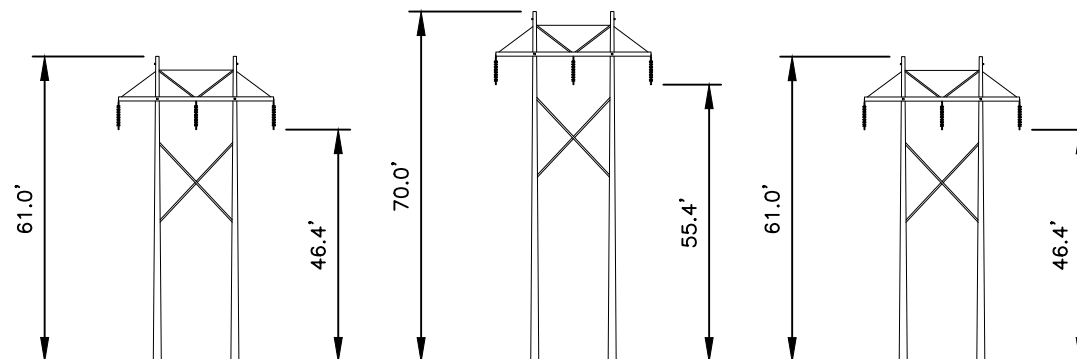
- #71 STRUCTURE (WITH GUYS)
- STATE OF NEW HAMPSHIRE PROPERTY
- PROPERTY BOUNDARY
- A111 LINE 115KV
- LINE, C OF CONSTRUCTION
- LIMITS OF EVERSOURCE RIGHT OF WAY

STRUCTURE LOCATION		
STRUCTURE	LONGITUDE	LATITUDE
70	-71.70800632	43.53361046
71	-71.70915218	43.53539446
72	-71.70946963	43.53588867

NESC VERTICAL CLEARANCE (FT) FROM TABLE 232.1	
NATURE OF SURFACE UNDERNEATH WIRES, CONDUCTORS OR CABLES	115kv
OTHER AREAS TRAVERSED BY VEHICLES, SUCH AS CULTIVATED, GRAZING, FOREST, AND ORCHARD LANDS, INDUSTRIAL SITES, COMMERCIAL SITES, ETC.	20.1

NOTES:

- PARCEL INFORMATION PROVIDED BY NH GRANIT.
- ELEVATIONS REFERENCED TO THE NORTH AMERICAN VERTICAL DATUM OF 1988.



STRUCTURE 70
TYPE T
STR 70: IS AN EVERSOURCE TYPE T, SINGLE CIRCUIT STEEL TANGENT STRUCTURE, HORIZONTAL CONFIG.

STRUCTURE 71
TYPE T
STR 71: IS AN EVERSOURCE TYPE T, SINGLE CIRCUIT STEEL TANGENT STRUCTURE, HORIZONTAL CONFIG., GUYED

STRUCTURE 72
TYPE T
STR 72: IS AN EVERSOURCE TYPE T, SINGLE CIRCUIT STEEL TANGENT STRUCTURE, HORIZONTAL CONFIG.

STRUCTURE DETAILS

SCALE: NTS

CABLE SCHEDULE						
WIRE	QTY OF CABLES	DESCRIPTION	DESIGN CONDITIONS			
			MAX DESIGN TENSION (lb)	TEMP (°F)	ICE (in)	WIND (psf)
CONDUCTOR	3	ACSS, 1272 kcmil 54/19, PHEASANT	9500	0	0.5	4
OPGW	2	48F 0.646 INCAB	5000	0	0.5	4

1	ISSUED TO PUC	05/21	JAM	SEK	BRK
DWG REV	EPN/DESCRIPTION	CONT/PE#	DATE	DRN	CHKD

EVERSOURCE ENERGY

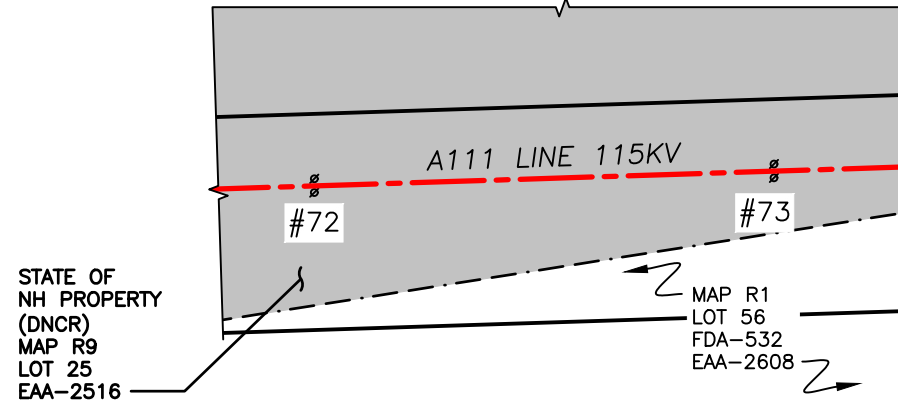
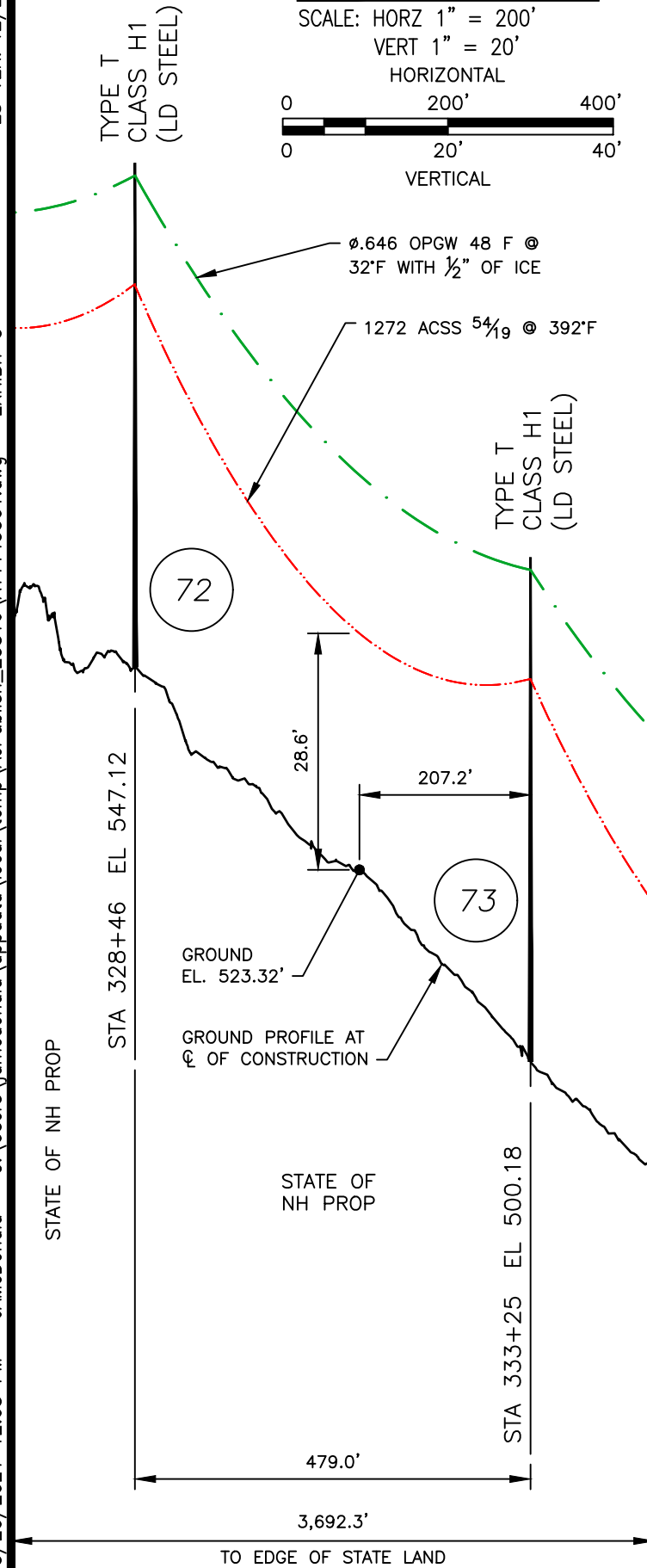
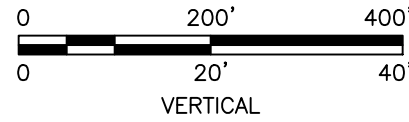
LINE A111, 115kV LINE
STATE OWNED LAND CROSSING
HILL, NEW HAMPSHIRE
EXHIBIT 2

DRAWN JAM/TRC	T 1
ENGINEER GEL/TRC	
CHECKED SEK/TRC	
APPROVED BRK/TRC	
DATE 05/21/21	

SCALE AS SHOWN	FILE: A11143501.DWG	DRAWING NO. A11143501
-------------------	---------------------	--------------------------

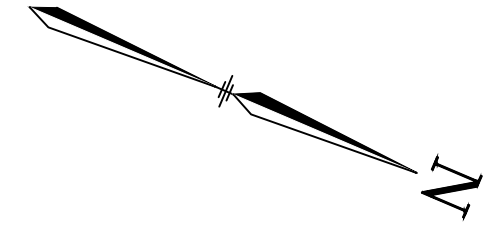
PROFILE VIEW

SCALE: HORZ 1" = 200'
VERT 1" = 20'



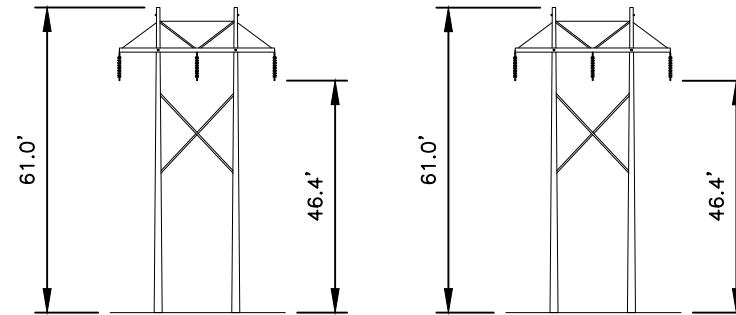
PLAN VIEW

SCALE: 1" = 200'



LEGEND:

- #72 STRUCTURE
- STATE OF NEW HAMPSHIRE PROPERTY
- PROPERTY BOUNDARY
- A111 LINE 115KV LINE, CL OF CONSTRUCTION
- LIMITS OF EVERSOURCE RIGHT OF WAY



STRUCTURE 72
TYPE T

STR 72: IS AN EVERSOURCE TYPE T, SINGLE CIRCUIT STEEL TANGENT STRUCTURE, HORIZONTAL CONFIG.

STRUCTURE 73
TYPE T

STR 73: IS AN EVERSOURCE TYPE T, SINGLE CIRCUIT STEEL TANGENT STRUCTURE, HORIZONTAL CONFIG.

STRUCTURE DETAILS

SCALE: NTS

STRUCTURE LOCATION		
STRUCTURE	LONGITUDE	LATITUDE
72	-71.70946963	43.53588867
73	-71.71023437	43.53707921

NESC VERTICAL CLEARANCE (FT) FROM TABLE 232.1	
NATURE OF SURFACE UNDERNEATH WIRES, CONDUCTORS OR CABLES	115kV
OTHER AREAS TRAVERSED BY VEHICLES, SUCH AS CULTIVATED, GRAZING, FOREST, AND ORCHARD LANDS, INDUSTRIAL SITES, COMMERCIAL SITES, ETC.	20.1

NOTES:

- PARCEL INFORMATION PROVIDED BY NH GRANIT.
- ELEVATIONS REFERENCED TO THE NORTH AMERICAN VERTICAL DATUM OF 1988.

CABLE SCHEDULE						
WIRE	QTY OF CABLES	DESCRIPTION	DESIGN CONDITIONS			
			MAX DESIGN TENSION (lb)	TEMP (°F)	ICE (in)	WIND (psf)
CONDUCTOR	3	ACSS, 1272 kcmil 54/19, PHEASANT	9500	0	0.5	4
OPGW	2	48F 0.646 IN CAB	5000	0	0.5	4

DWG REV	ISSUED TO PUC	EPN/DESCRIPTION	CONT/PE#	DATE	JAM	SEK	BRK
1				05/21			

EVERSOURCE ENERGY

LINE A111, 115kV LINE
STATE OWNED LAND CROSSING
HILL, NEW HAMPSHIRE
EXHIBIT 3

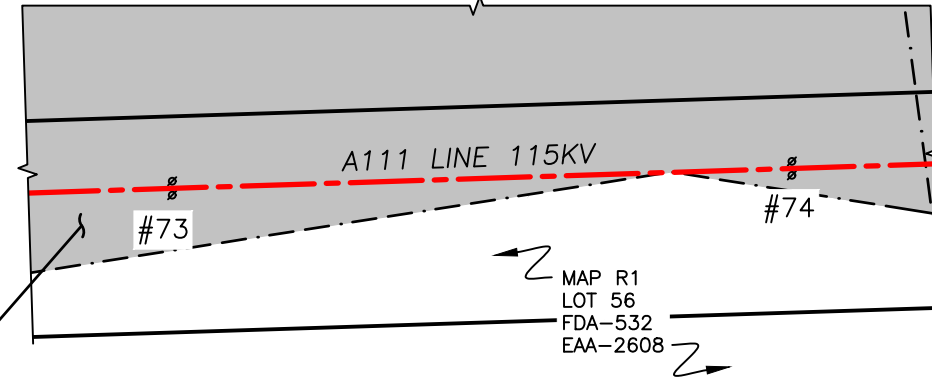
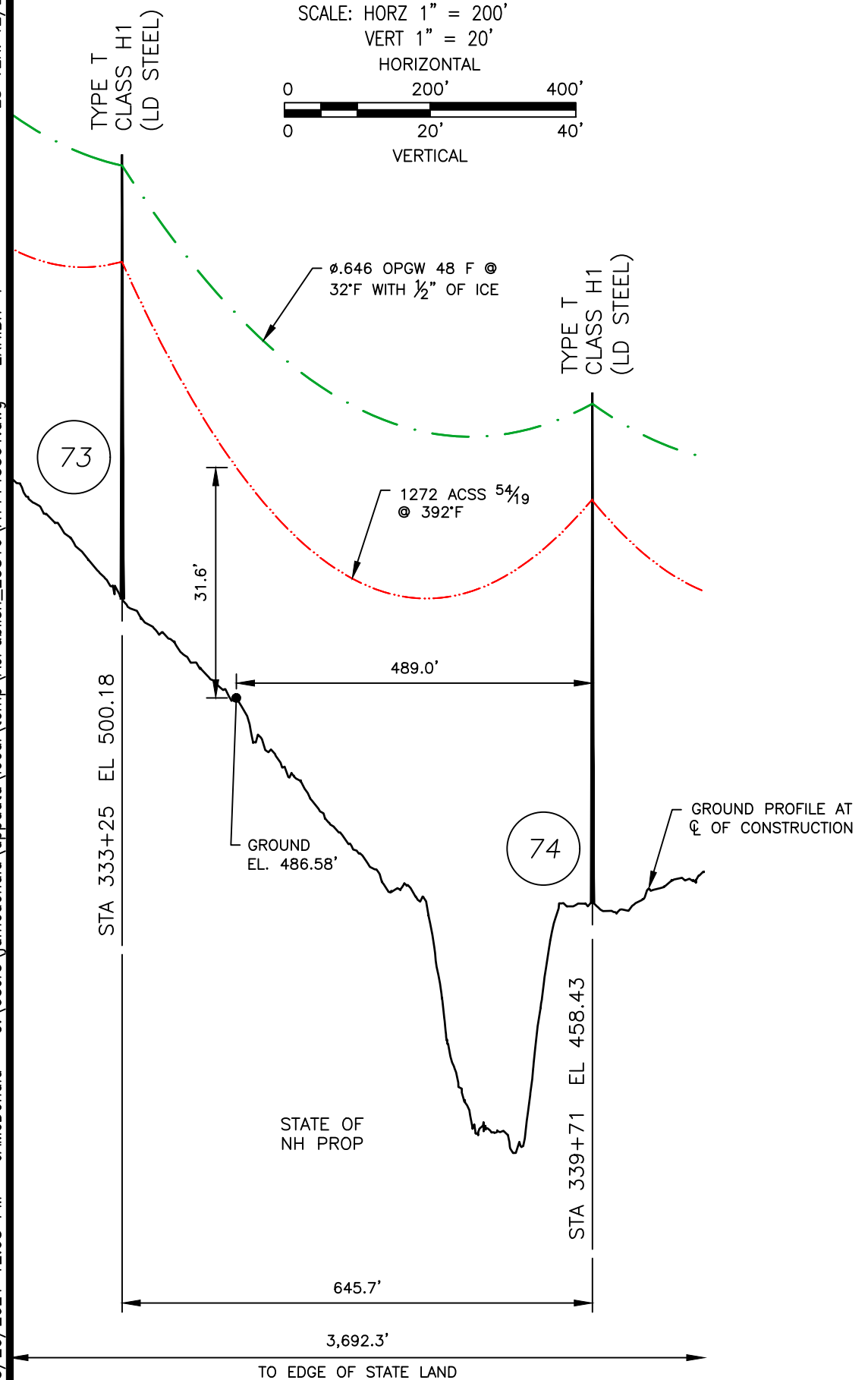
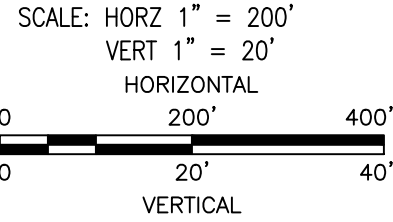
SCALE AS SHOWN	FILE: A11143501.DWG IMAGE:	DRAWING NO. A11143501
-------------------	-------------------------------	---------------------------------

DRAWN JAM/TRC	T 1
ENGINEER GEL/TRC	
CHECKED SEK/TRC	
APPROVED BRK/TRC	
DATE 05/21/21	

ES VER: 12/2016

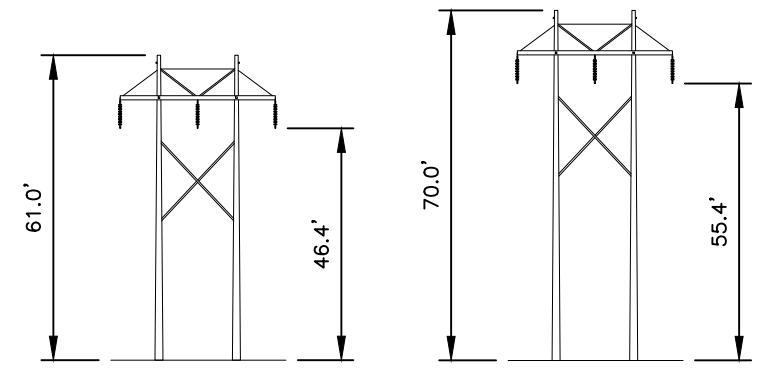
5/20/2021 12:08 PM - JAMcDonald - C:\Users\jamcdonald\appdata\local\temp\AcPublish_23816\A11143501.dwg - EXHIBIT 4

PROFILE VIEW



PLAN VIEW

SCALE: 1" = 200'



STRUCTURE 73
TYPE T
STR 73: IS AN EVERSOURCE TYPE T, SINGLE CIRCUIT STEEL TANGENT STRUCTURE, HORIZONTAL CONFIG.

STRUCTURE 74
TYPE T
STR 74: IS AN EVERSOURCE TYPE T, SINGLE CIRCUIT STEEL TANGENT STRUCTURE, HORIZONTAL CONFIG.

STRUCTURE DETAILS

SCALE: NTS

CABLE SCHEDULE						
WIRE	QTY OF CABLES	DESCRIPTION	DESIGN CONDITIONS			
			MAX DESIGN TENSION (lb)	TEMP (°F)	ICE (in)	WIND (psf)
CONDUCTOR	3	ACSS, 1272 kcmil 54/19, PHEASANT	9500	0	0.5	4
OPGW	2	48F 0.646 INCAB	5000	0	0.5	4

LEGEND:

- #73 STRUCTURE
- STATE OF NEW HAMPSHIRE PROPERTY
- PROPERTY BOUNDARY
- A111 LINE 115KV
- LINE, C OF CONSTRUCTION
- LIMITS OF EVERSOURCE RIGHT OF WAY

STRUCTURE LOCATION		
STRUCTURE	LONGITUDE	LATITUDE
73	-71.71023437	43.53707921
74	-71.71126535	43.53868415

NESC VERTICAL CLEARANCE (FT) FROM TABLE 232.1	
NATURE OF SURFACE UNDERNEATH WIRES, CONDUCTORS OR CABLES	115kV
OTHER AREAS TRAVERSED BY VEHICLES, SUCH AS CULTIVATED, GRAZING, FOREST, AND ORCHARD LANDS, INDUSTRIAL SITES, COMMERCIAL SITES, ETC.	20.1

NOTES:

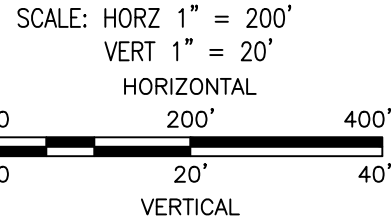
- PARCEL INFORMATION PROVIDED BY NH GRANIT.
- ELEVATIONS REFERENCED TO THE NORTH AMERICAN VERTICAL DATUM OF 1988.

LINE A111, 115kV LINE
STATE OWNED LAND CROSSING
HILL, NEW HAMPSHIRE
EXHIBIT 4

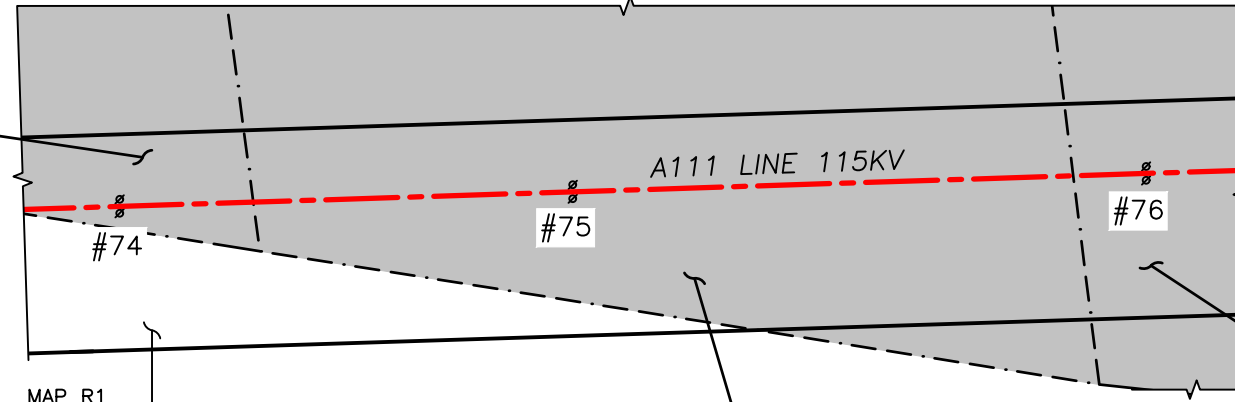
T	1
DRAWN	JAM/TRC
ENGINEER	GEL/TRC
CHECKED	SEK/TRC
APPROVED	BRK/TRC
DATE	05/21/21

DWG REV	ISSUED TO PUC	EPN/DESCRIPTION	CONT/PE#	DATE	JAM	SEK	BRK
1				05/21			

PROFILE VIEW

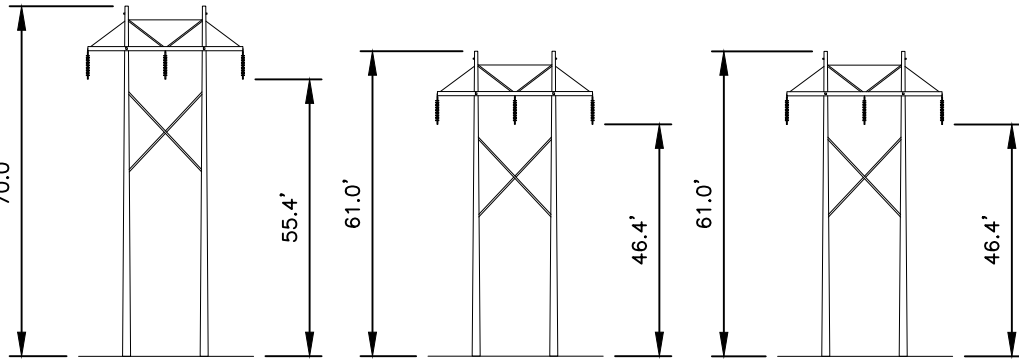


STATE OF NH PROPERTY (DNCR) MAP R9 LOT 25 EAA-2516



PLAN VIEW

SCALE: 1" = 200'



STRUCTURE 74
TYPE T
STR 74: IS AN EVERSOURCE TYPE T, SINGLE CIRCUIT STEEL TANGENT STRUCTURE, HORIZONTAL CONFIG.

STRUCTURE 75
TYPE T
STR 75: IS AN EVERSOURCE TYPE T, SINGLE CIRCUIT STEEL TANGENT STRUCTURE, HORIZONTAL CONFIG.

STRUCTURE 76
TYPE T
STR 76: IS AN EVERSOURCE TYPE T, SINGLE CIRCUIT STEEL TANGENT STRUCTURE, HORIZONTAL CONFIG.

STRUCTURE DETAILS

SCALE: NTS

CABLE SCHEDULE						
WIRE	QTY OF CABLES	DESCRIPTION	DESIGN CONDITIONS			
			MAX DESIGN TENSION (lb)	TEMP (°F)	ICE (in)	WIND (psf)
CONDUCTOR	3	ACSS, 1272 kcmil 54/19, PHEASANT	9500	0	0.5	4
OPGW	2	48F Ø.646 INCAB	5000	0	0.5	4

LEGEND:

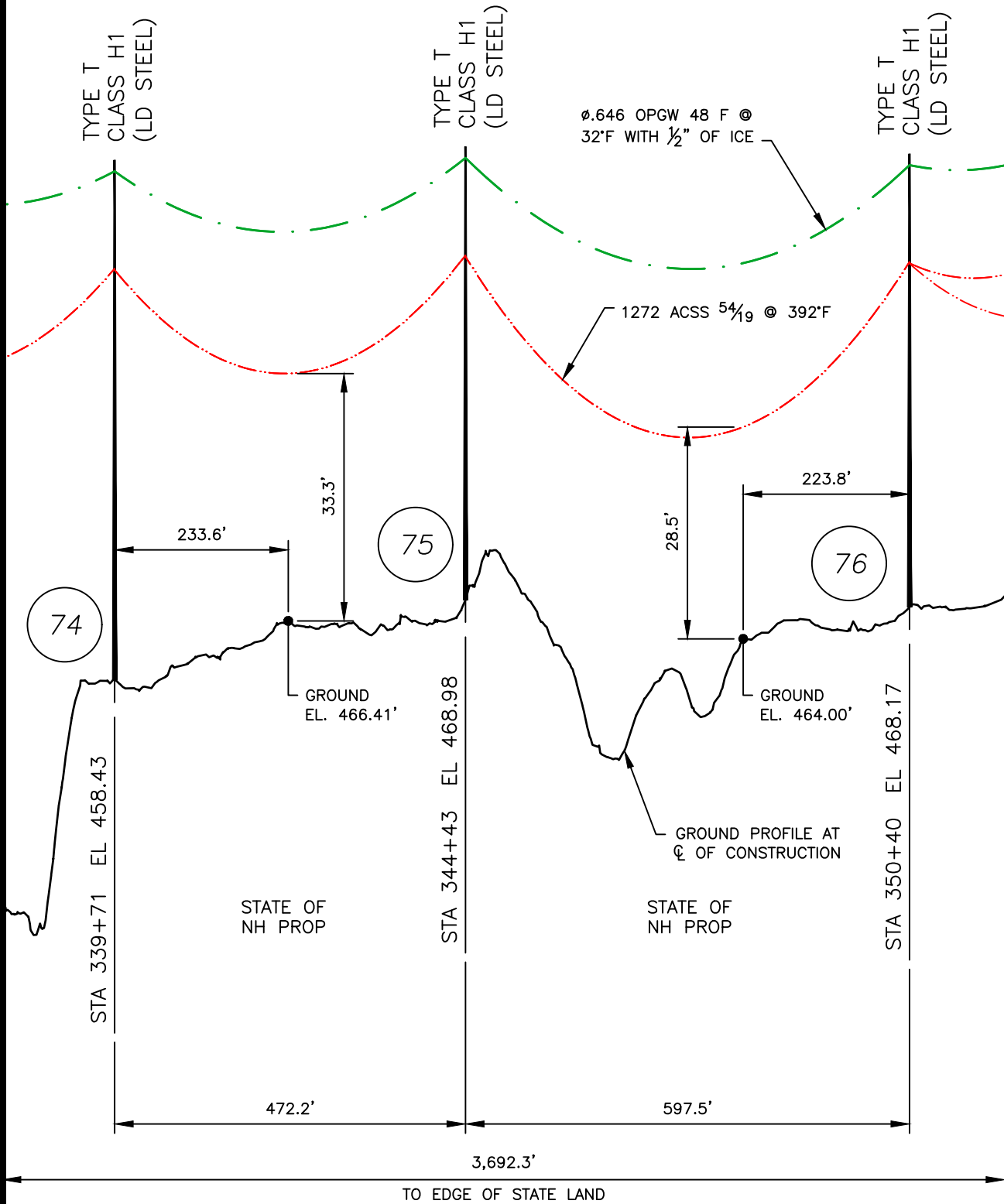
- #74 STRUCTURE
- STATE OF NEW HAMPSHIRE PROPERTY
- A111 LINE 115KV
- LIMITS OF EVERSOURCE RIGHT OF WAY

STRUCTURE LOCATION		
STRUCTURE	LONGITUDE	LATITUDE
74	-71.71126535	43.53868415
75	-71.71201923	43.53985767
76	-71.71297328	43.54134271

NESC VERTICAL CLEARANCE (FT) FROM TABLE 232.1	
NATURE OF SURFACE UNDERNEATH WIRES, CONDUCTORS OR CABLES	115kV
OTHER AREAS TRAVERSED BY VEHICLES, SUCH AS CULTIVATED, GRAZING, FOREST, AND ORCHARD LANDS, INDUSTRIAL SITES, COMMERCIAL SITES, ETC.	20.1

NOTES:

- PARCEL INFORMATION PROVIDED BY NH GRANIT.
- ELEVATIONS REFERENCED TO THE NORTH AMERICAN VERTICAL DATUM OF 1988.



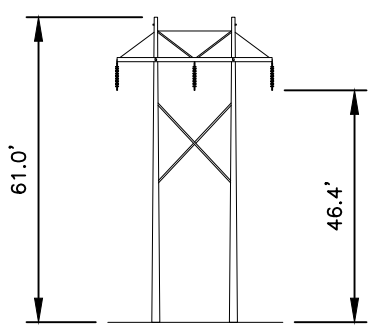
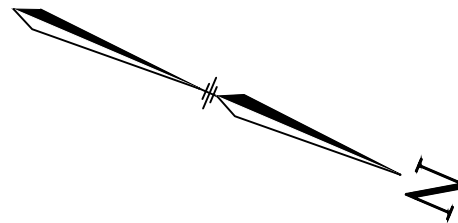
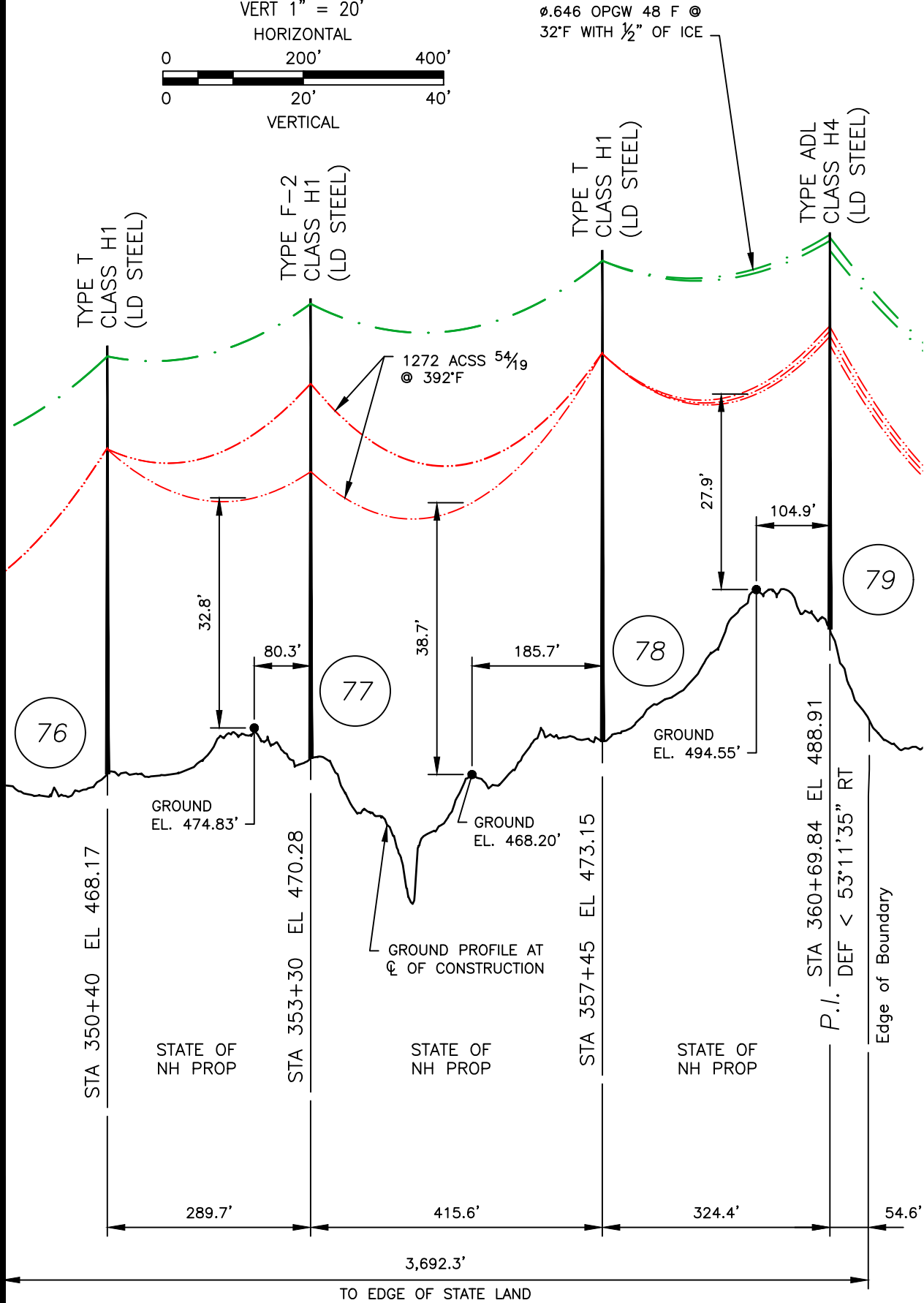
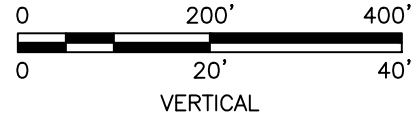
**LINE A111, 115kV LINE
STATE OWNED LAND CROSSING
HILL, NEW HAMPSHIRE
EXHIBIT 5**

SCALE AS SHOWN	FILE: A11143501.DWG	DRAWING NO. A11143501
----------------	---------------------	-----------------------

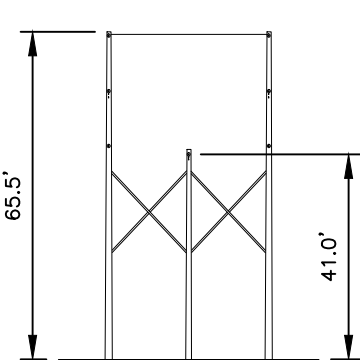
DWG REV	ISSUED TO PUC	EPN/DESCRIPTION	CONT/PE#	DATE	JAM	SEK	BRK
1				05/21	JAM	SEK	BRK

PROFILE VIEW

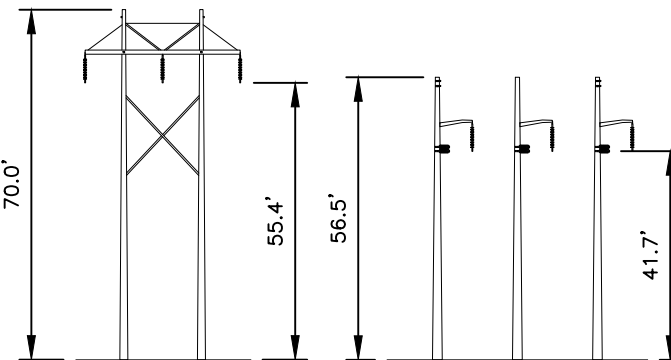
SCALE: HORZ 1" = 200'
VERT 1" = 20'



STRUCTURE 76
TYPE T
STR 76: IS AN EVERSOURCE TYPE T, SINGLE CIRCUIT STEEL TANGENT STRUCTURE, HORIZONTAL CONFIG.



STRUCTURE 77
TYPE F-2
STR 77: IS AN EVERSOURCE TYPE F-2, SINGLE CIRCUIT STEEL DEADEND TRANSPOSITION STRUCTURE, HORIZONTAL CONFIG., GUYED.

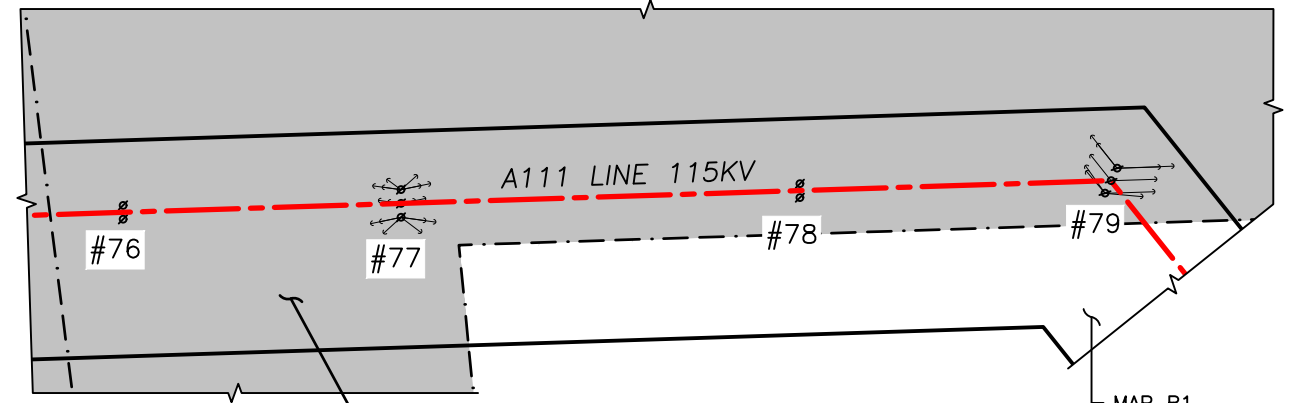


STRUCTURE 78
TYPE T
STR 78: IS AN EVERSOURCE TYPE T, SINGLE CIRCUIT STEEL TANGENT STRUCTURE, HORIZONTAL CONFIG.

STRUCTURE 79
TYPE ADL
STR 79: IS AN EVERSOURCE TYPE ADL, SINGLE CIRCUIT STEEL DEADEND STRUCTURE, HORIZONTAL CONFIG., GUYED

PLAN VIEW

SCALE: 1" = 200'



STATE OF NH PROPERTY (DNCR) MAP R9 LOT 13 EAA-2428

MAP R1 LOT 56 FDA-532 EAA-2608

STRUCTURE DETAILS

SCALE: NTS

LEGEND:

- #79 STRUCTURE (WITH GUYS)
- STATE OF NEW HAMPSHIRE PROPERTY
- PROPERTY BOUNDARY
- A111 LINE 115KV
LINE, ϕ OF CONSTRUCTION
- LIMITS OF EVERSOURCE RIGHT OF WAY

STRUCTURE LOCATION

STRUCTURE	LONGITUDE	LATITUDE
76	-71.71297328	43.54134271
77	-71.71343581	43.54206263
78	-71.71409956	43.54309573
79	-71.71461757	43.54390194

NESC VERTICAL CLEARANCE (FT) FROM TABLE 232.1

NATURE OF SURFACE UNDERNEATH WIRES, CONDUCTORS OR CABLES	115kV
OTHER AREAS TRAVERSED BY VEHICLES, SUCH AS CULTIVATED, GRAZING, FOREST, AND ORCHARD LANDS, INDUSTRIAL SITES, COMMERCIAL SITES, ETC.	20.1

NOTES:

- PARCEL INFORMATION PROVIDED BY NH GRANIT.
- ELEVATIONS REFERENCED TO THE NORTH AMERICAN VERTICAL DATUM OF 1988.

CABLE SCHEDULE

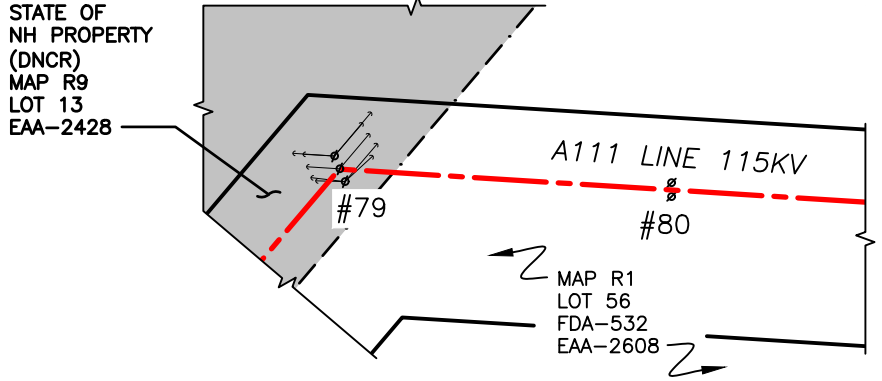
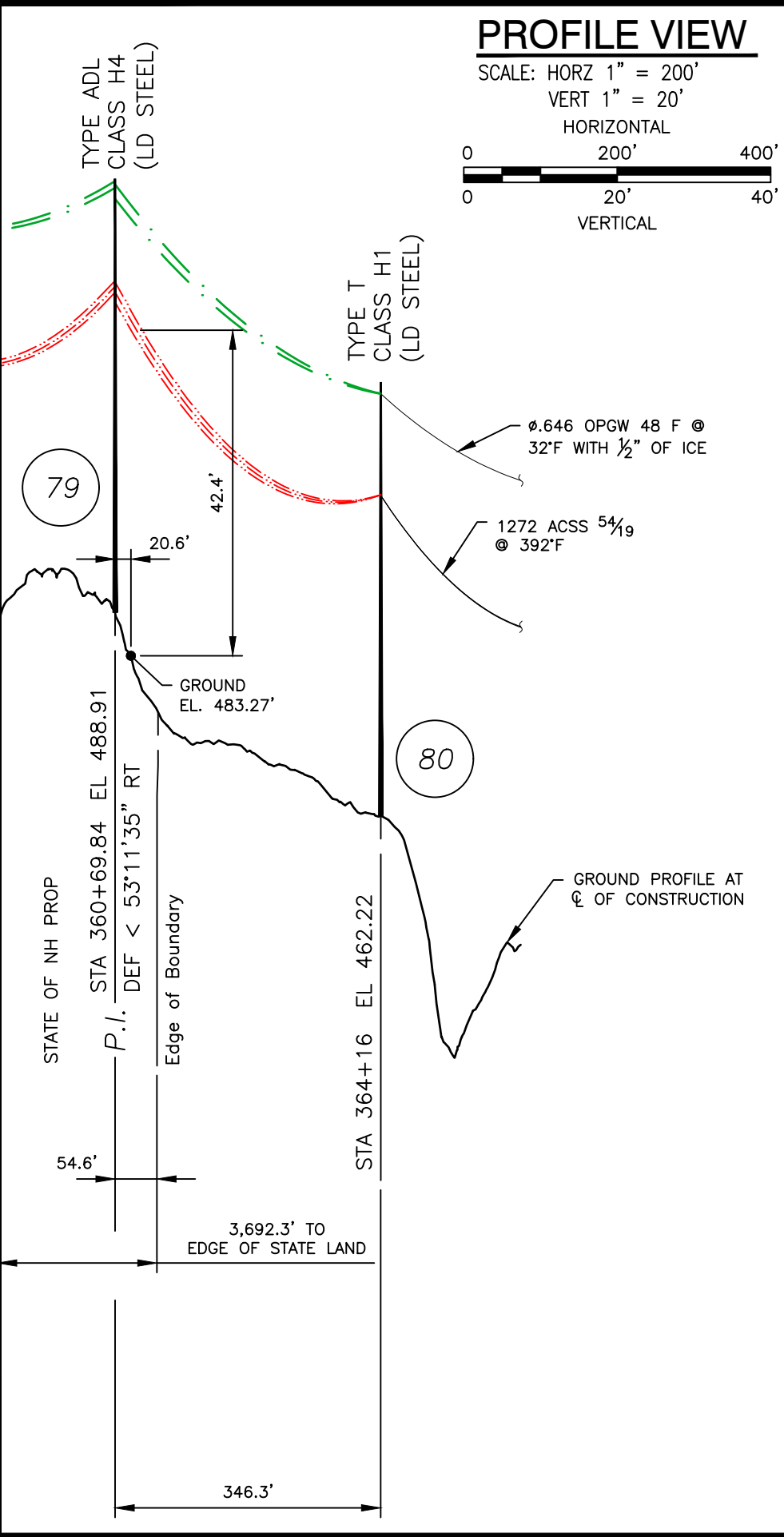
WIRE	QTY OF CABLES	DESCRIPTION	DESIGN CONDITIONS			
			MAX DESIGN TENSION (lb)	TEMP (°F)	ICE (in)	WIND (psf)
CONDUCTOR	3	ACSS, 1272 kcmil 54/19, PHEASANT	9500	0	0.5	4
OPGW	2	48F Ø.646 INCAB	5000	0	0.5	4



LINE A111, 115kV LINE
STATE OWNED LAND CROSSING
HILL, NEW HAMPSHIRE
EXHIBIT 6

T	1
DRAWN	JAM/TRC
ENGINEER	GEL/TRC
CHECKED	SEK/TRC
APPROVED	BRK/TRC
DATE	05/21/21

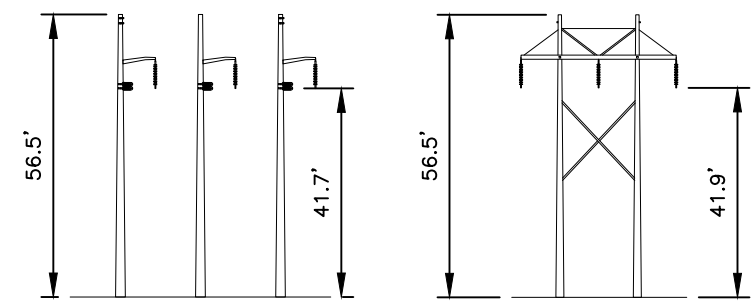
DWG REV	ISSUED TO PUC	EPN/DESCRIPTION	CONT/PE#	DATE	DRN	JAM	SEK	BRK
1				05/21				



PLAN VIEW
SCALE: 1" = 200'

LEGEND:

- #80 STRUCTURE
- STATE OF NEW HAMPSHIRE PROPERTY
- PROPERTY BOUNDARY
- A111 LINE 115KV LINE, CL OF CONSTRUCTION
- LIMITS OF EVERSOURCE RIGHT OF WAY



STRUCTURE 79
TYPE ADL
STR 79: IS AN EVERSOURCE TYPE ADL, SINGLE CIRCUIT STEEL DEADEND STRUCTURE, HORIZONTAL CONFIG., GUYED

STRUCTURE 80
TYPE T
STR 80: IS AN EVERSOURCE TYPE T, SINGLE CIRCUIT STEEL TANGENT STRUCTURE, HORIZONTAL CONFIG.

STRUCTURE DETAILS

SCALE: NTS

CABLE SCHEDULE						
WIRE	QTY OF CABLES	DESCRIPTION	DESIGN CONDITIONS			
			MAX DESIGN TENSION (lb)	TEMP (°F)	ICE (in)	WIND (psf)
CONDUCTOR	3	ACSS, 1272 kcmil 54/19, PHEASANT	9500	0	0.5	4
OPGW	2	48F Ø.646 INCAB	5000	0	0.5	4

STRUCTURE LOCATION		
STRUCTURE	LONGITUDE	LATITUDE
79	-71.71461757	43.54390194
80	-71.71400157	43.54473962

NESC VERTICAL CLEARANCE (FT) FROM TABLE 232.1	
NATURE OF SURFACE UNDERNEATH WIRES, CONDUCTORS OR CABLES	115kV
OTHER AREAS TRAVERSED BY VEHICLES, SUCH AS CULTIVATED, GRAZING, FOREST, AND ORCHARD LANDS, INDUSTRIAL SITES, COMMERCIAL SITES, ETC.	20.1

- NOTES:**
- PARCEL INFORMATION PROVIDED BY NH GRANIT.
 - ELEVATIONS REFERENCED TO THE NORTH AMERICAN VERTICAL DATUM OF 1988.

1	ISSUED TO PUC	05/21	JAM	SEK	BRK
DWG REV	EPN/DESCRIPTION	CONT/PE#	DATE	DRN	CHKD

EVERSOURCE ENERGY

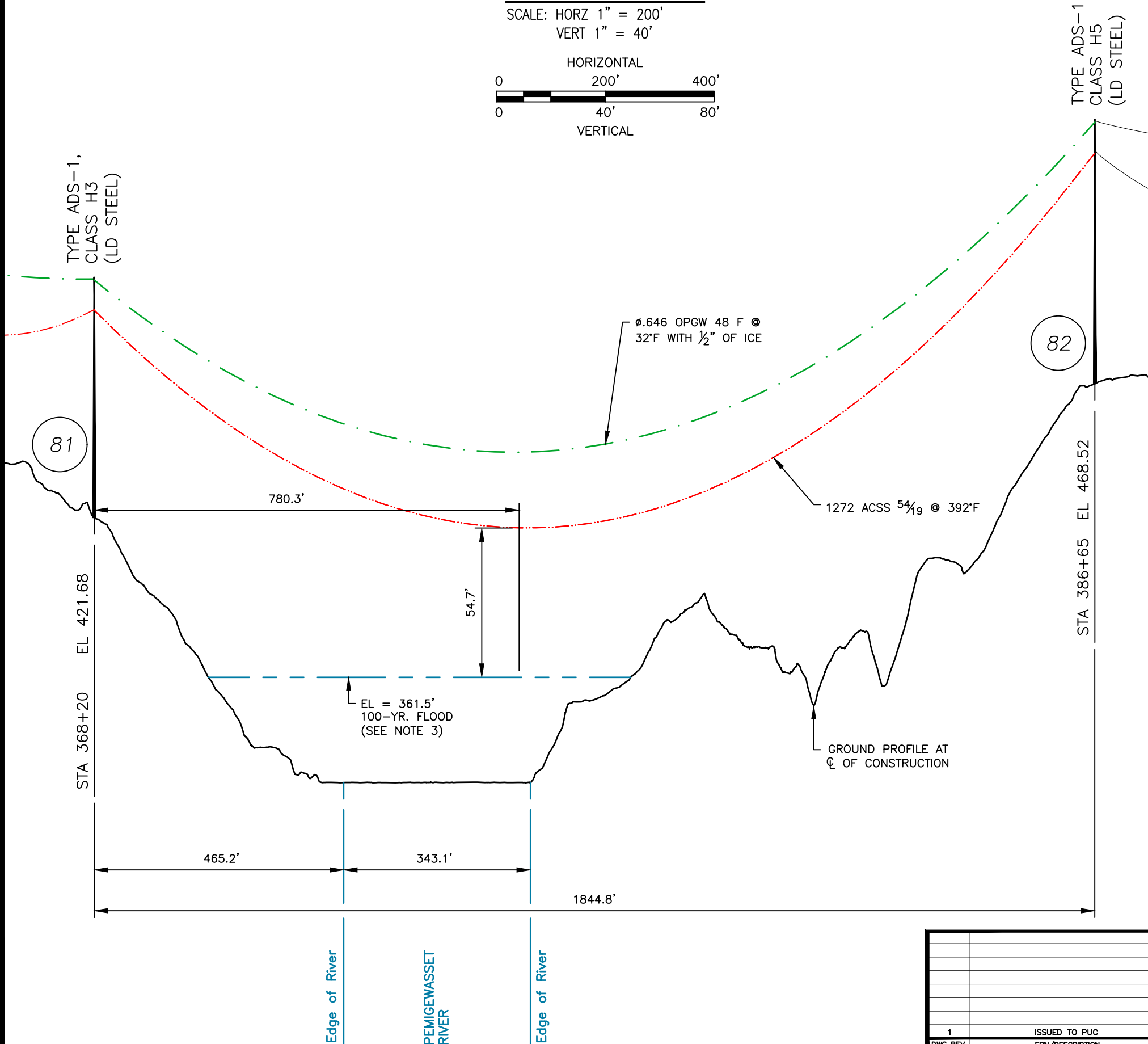
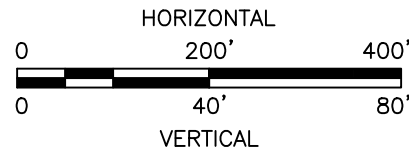
LINE A111, 115kV LINE
STATE OWNED LAND CROSSING
HILL, NEW HAMPSHIRE
EXHIBIT 7

SCALE AS SHOWN	FILE: A11143501.DWG	DRAWING NO. A11143501
----------------	---------------------	-----------------------

DRAWN JAM/TRC	T 1
ENGINEER GEL/TRC	1
CHECKED SEK/TRC	
APPROVED BRK/TRC	
DATE 05/21/21	

PROFILE VIEW

SCALE: HORZ 1" = 200'
VERT 1" = 40'



CABLE SCHEDULE						
WIRE	QTY OF CABLES	DESCRIPTION	DESIGN CONDITIONS			
			MAX DESIGN TENSION (lb)	TEMP (°F)	ICE (in)	WIND (psf)
CONDUCTOR	3	ACSS, 1272 kcmil 54/19, PHEASANT	14000	0	0.5	4
OPGW	2	48F ϕ .646 INCAB	8000	0	0.5	4

STRUCTURE LOCATION		
STRUCTURE	LONGITUDE	LATITUDE
81	-71.71328010	43.54571487
82	-71.71000129	43.55017881

NESC VERTICAL CLEARANCE (FT) FROM TABLE 232.1	
NATURE OF SURFACE UNDERNEATH WIRES, CONDUCTORS OR CABLES	115kV
WATER AREAS NOT SUITABLE FOR SAIL BOATING OR WHERE SAIL BOATING IS PROHIBITED	18.6

NOTES:

1. PARCEL INFORMATION PROVIDED BY NH GRANIT. STATE OF NH PROPERTY MAP R9, LOT 4 PROPERTY BOUNDARY WAS FIELD SURVEYED TO RECTIFY GRANIT PARCEL INFORMATION.
2. ELEVATIONS REFERENCED TO THE NORTH AMERICAN VERTICAL DATUM OF 1988.
3. 100 YEAR FLOOD ELEVATION FROM THE FEMA FLOOD MAP SERVICE CENTER, NATIONAL FLOOD HAZARD LAYER FIRMETTE, 01/16/2020.

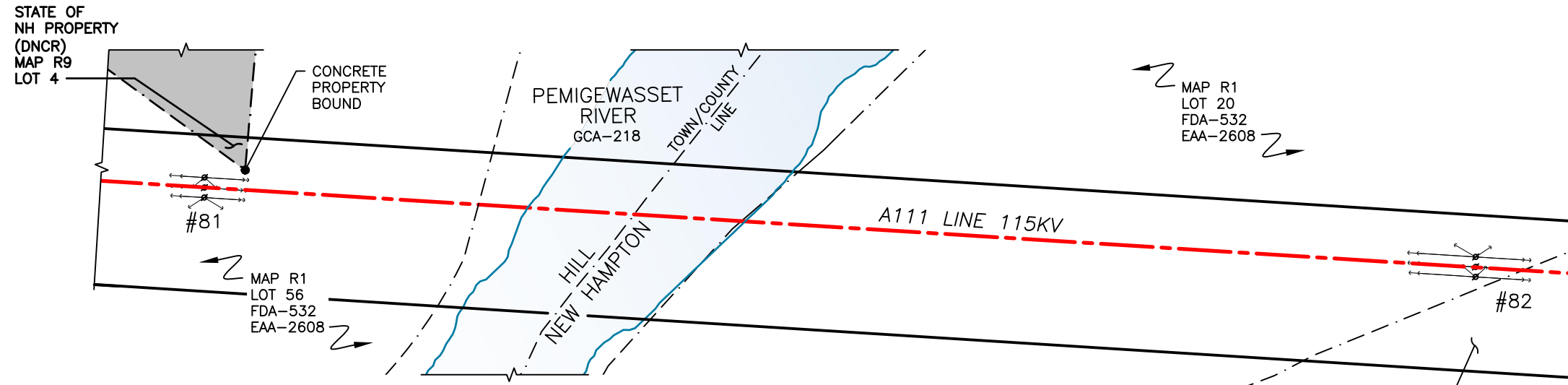


LINE A111, 115kV LINE
PEMIGEWASSET RIVER, PUBLIC WATER CROSSING
HILL AND NEW HAMPTON, NEW HAMPSHIRE
EXHIBIT 8

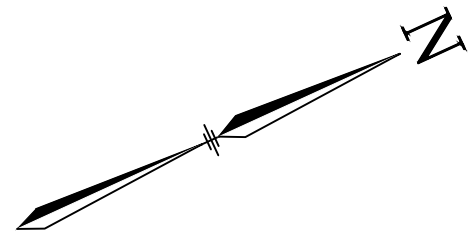
T	1
DRAWN	JAM/TRC
ENGINEER	GEL/TRC
CHECKED	SEK/TRC
APPROVED	BRK/TRC
DATE	05/21/21

1	ISSUED TO PUC	05/21	JAM	SEK	BRK
DWG REV	EPN/DESCRIPTION	CONT/PE#	DATE	DRN	CHKD

SCALE	FILE: A11143501.DWG	DRAWING NO.
AS SHOWN	IMAGE:	A11143501



PLAN VIEW
SCALE: 1" = 200'



LEGEND:

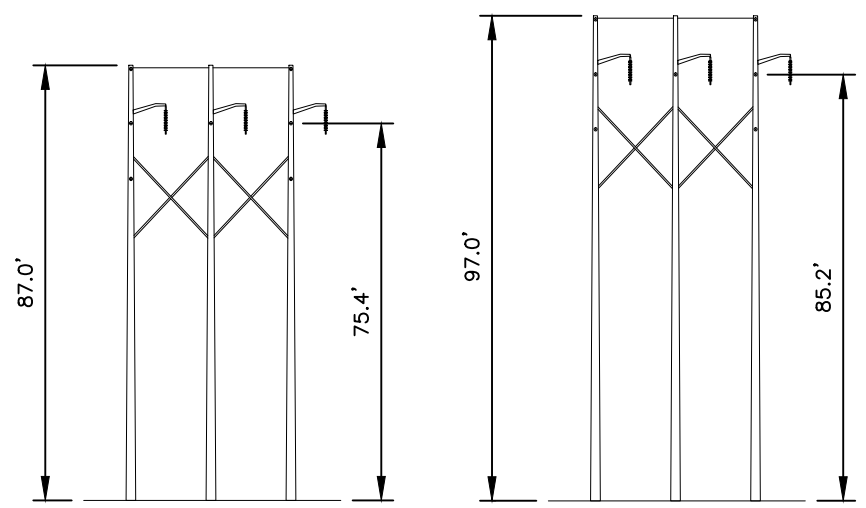
- #82 STRUCTURE (WITH GUYS)
- STREAM, EDGE OF RIVER/WATER
- PROPERTY BOUNDARY
- A111 LINE 115KV
- LINE, C of CONSTRUCTION
- LIMITS OF EVERSOURCE RIGHT OF WAY

STRUCTURE LOCATION		
STRUCTURE	LONGITUDE	LATITUDE
81	-71.71328010	43.54571487
82	-71.71000129	43.55017881

NESC VERTICAL CLEARANCE (FT) FROM TABLE 232.1	
NATURE OF SURFACE UNDERNEATH WIRES, CONDUCTORS OR CABLES	115KV
WATER AREAS NOT SUITABLE FOR SAIL BOATING OR WHERE SAIL BOATING IS PROHIBITED	18.6

NOTES:

- PARCEL INFORMATION PROVIDED BY NH GRANIT. STATE OF NH PROPERTY MAP R9, LOT 4 PROPERTY BOUNDARY WAS FIELD SURVEYED TO RECTIFY GRANIT PARCEL INFORMATION.
- STATE OF NH PROPERTY MAP R9, LOT 4 IS NOT CROSSED BY EVERSOURCE LINE A111 AND NOT SUBJECT OF THIS PETITION.
- ELEVATIONS REFERENCED TO THE NORTH AMERICAN VERTICAL DATUM OF 1988.
- 100 YEAR FLOOD ELEVATION FROM THE FEMA FLOOD MAP SERVICE CENTER, NATIONAL FLOOD HAZARD LAYER FIRMETTE, 01/16/2020.



STRUCTURE 81
TYPE ADS-1

STR 81: IS AN EVERSOURCE TYPE ADS-1, SINGLE CIRCUIT STEEL DEADEND ANGLE STRUCTURE, HORIZONTAL CONFIG., GUYED

STRUCTURE 82
TYPE ADS-1

STR 82: IS AN EVERSOURCE TYPE ADS-1, SINGLE CIRCUIT STEEL DEADEND STRUCTURE, HORIZONTAL CONFIG., GUYED

STRUCTURE DETAILS
SCALE: NTS

DWG REV	EPN/DESCRIPTION	CONT/PE#	DATE	DRN	CHKD	APPR
1	ISSUED TO PUC		05/21	JAM	SEK	BRK

	T 1
	DRAWN JAM/TRC
	ENGINEER GEL/TRC
	CHECKED SEK/TRC
LINE A111, 115kV LINE PEMIGEWASSET RIVER, PUBLIC WATER CROSSING HILL AND NEW HAMPTON, NEW HAMPSHIRE EXHIBIT 9	
APPROVED BRK/TRC	
DATE 05/21/21	
SCALE AS SHOWN	DRAWING NO. A11143501

FILE: A11143501.DWG	IMAGE:
---------------------	--------

EVERSOURCE A111 LINE REBUILD – PUC STATE LAND AND WATERBOYD CROSSING - EXHIBIT 10

Eversource A111 Line Rebuild - PUC State Land and Waterbody Crossings			
Existing Structure #	New Structure #	Structure Move (ft)*	Height Change
William H. Thomas State Forest - DPCR			
68	70	6	15
69	71	10	15
70	72	10	15
71	73	10	20
72	74	10	25
73	75	10	15
74	76	10	20
75	77	10	15
76	78	10	25
77	79	same location	10
78	80	10	15
Pemigewasset River Waterbody Crossing			
79	81	existing structure	
81	82	45	25

* - Distance from existing structure being replaced

Structure	Type	Span (Pole to Pole)	Distance (feet)	Minimum NESC Table 232-1 Clearance (ft.)	ES Vertical Design Clearance (ft.)	Complies with NESC Table 232-1 (Y/N)
70	61.0' steel 2 pole, T, CLH1	70-71	717.8	20.1	54.4	Y
71	70.0' steel 2 pole, T, CLH1					
72	61.0' steel 2 pole, T, CLH1	71-72	479	20.1	28.6	Y
73	61.0' steel 2 pole, T, CLH1	72-73	645.7	20.1	31.6	Y
74	70.0' steel 2 pole, T, CLH1	74-75	472.2	20.1	33.3	Y
75	61.0' steel 2 pole, T, CLH1	75-76	597.5	20.1	28.5	Y
76	61.0' steel 2 pole, T, CLH1	76-77	289.7	20.1	32.8	Y
77	65.5' steel 3 pole, F-2, CLH1	77-78	415.6	20.1	38.7	Y
78	70.0' steel 2 pole, T, CLH1	78-79	324.4	20.1	27.9	Y
79	56.5' steel 3 pole, ADE CLH4	79-80	346.3	20.1	42.4	Y
80	56.5' steel 2 pole, T, CLH1					
81	87.0' steel 3 pole, ADS-1 CLH3	81-82	1,844.80	18.6	54.7	Y
82	97.0' steel 3 pole, ADS-1 CLH5					