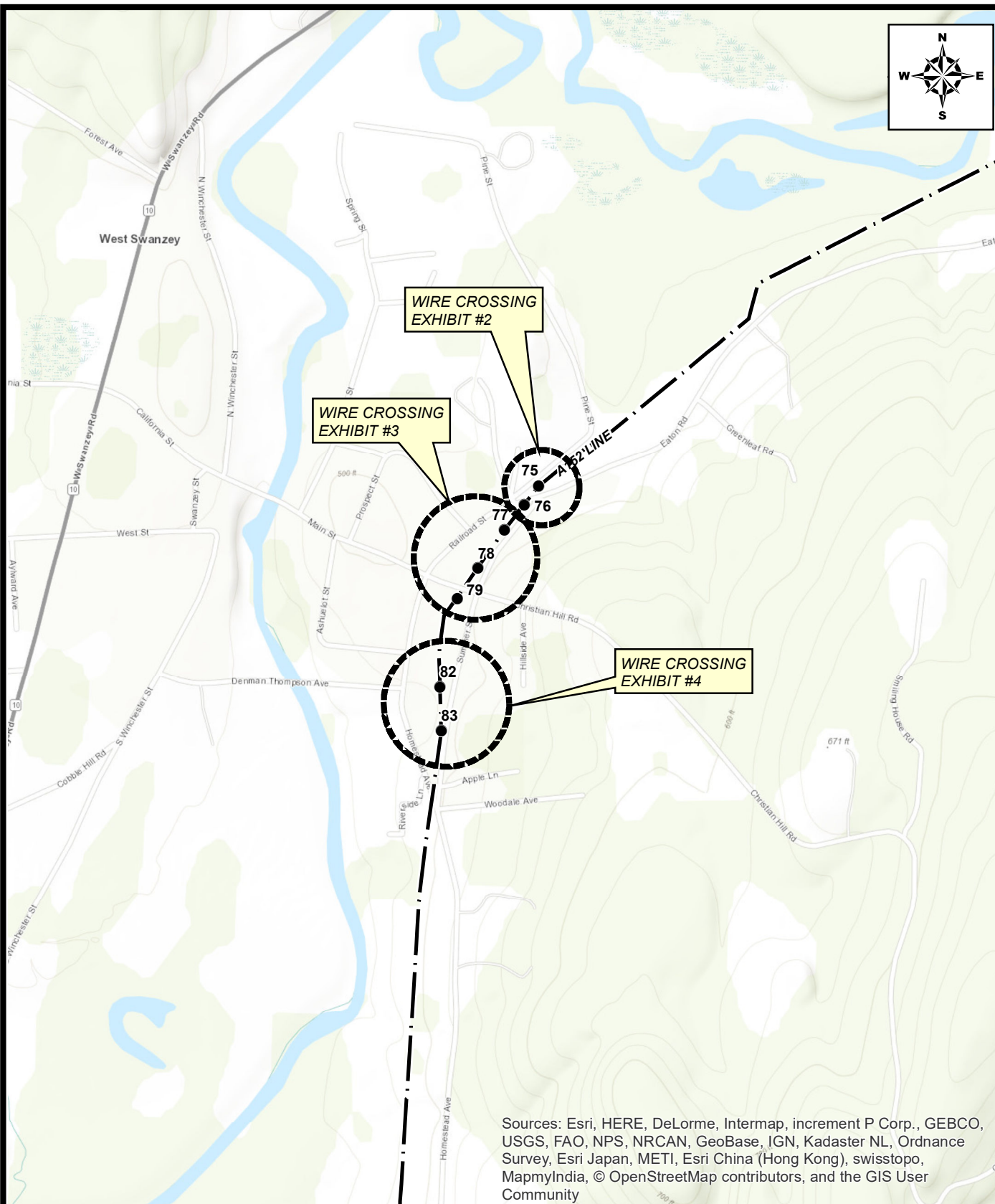


© 2019 - GZA GeoEnvironmental, Inc. P:\04Jobs\019050700 Eversource MSA04.01905071 - A152 Transmission Line Structure Replacement\Project\A152 Land Crossing PUC Map Figure 1\_06191919.mxd, 2:54:32 PM, conor.madison



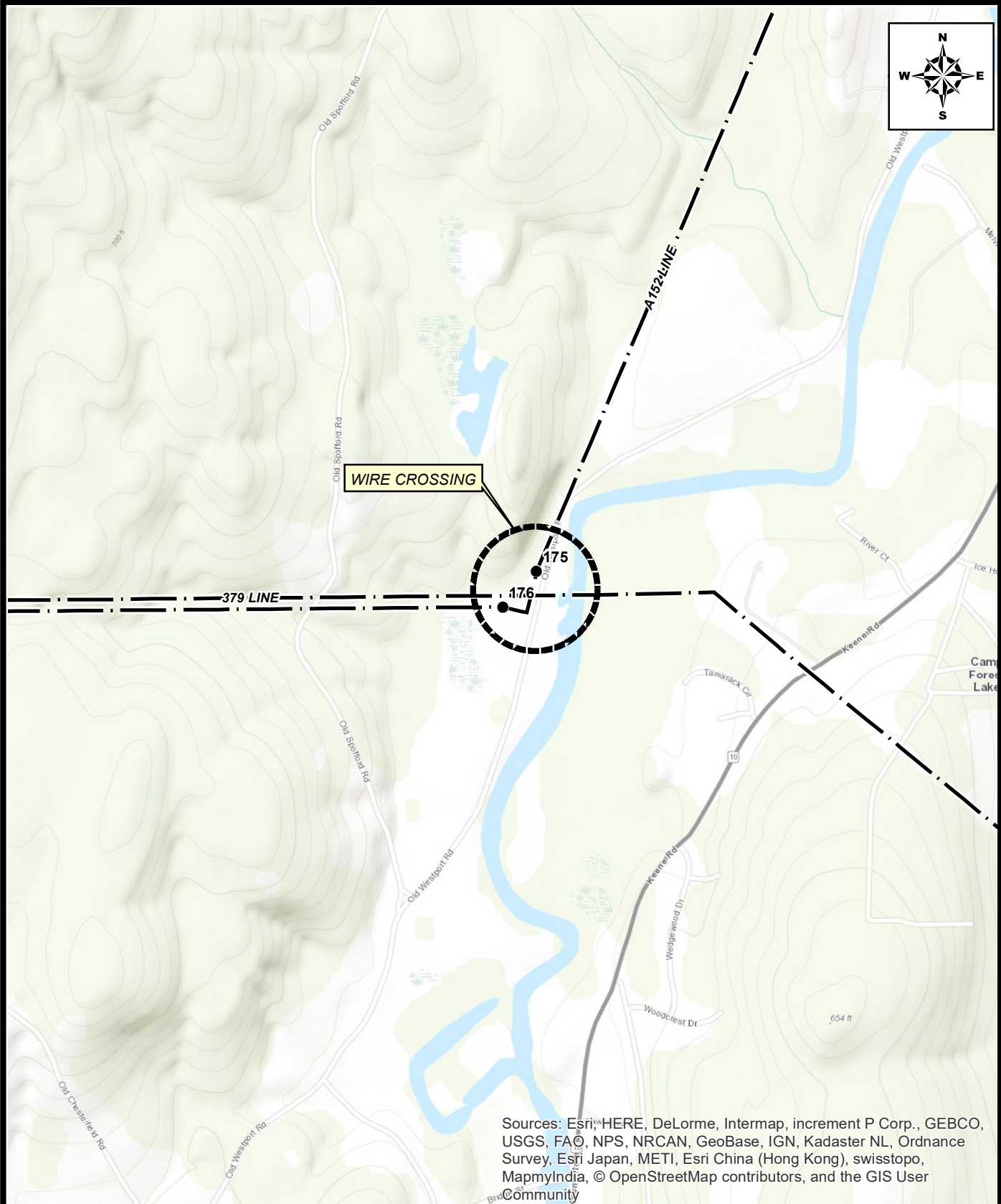
Sources: Esri, HERE, DeLorme, Intermap, increment P Corp., GEBCO, USGS, FAO, NPS, NRCAN, GeoBase, IGN, Kadaster NL, Ordnance Survey, Esri Japan, METI, Esri China (Hong Kong), swisstopo, MapmyIndia, © OpenStreetMap contributors, and the GIS User Community

UNLESS SPECIFICALLY STATED BY WRITTEN AGREEMENT, THIS DRAWING IS THE SOLE PROPERTY OF GZA GEOENVIRONMENTAL, INC. (GZA). THE INFORMATION SHOWN ON THE DRAWING IS SOLELY FOR THE USE BY GZA'S CLIENT OR THE CLIENT'S DESIGNATED REPRESENTATIVE FOR THE SPECIFIC PROJECT AND LOCATION IDENTIFIED ON THE DRAWING. THE DRAWING SHALL NOT BE TRANSFERRED, REUSED, COPIED, OR ALTERED IN ANY MANNER FOR USE AT ANY OTHER LOCATION OR FOR ANY OTHER PURPOSE WITHOUT THE PRIOR WRITTEN CONSENT OF GZA. ANY TRANSFER, REUSE, OR MODIFICATION TO THE DRAWING BY THE CLIENT OR OTHERS, WITHOUT THE PRIOR WRITTEN EXPRESS CONSENT OF GZA, WILL BE AT THE USER'S SOLE RISK AND WITHOUT ANY RISK OR LIABILITY TO GZA.

**LINE A152 115KV TRANSMISSION  
STATE LAND CROSSING  
SWANZEY, N.H.  
EXHIBIT #1**

NO.	ISSUE / DESCRIPTION	BY	DATE

PREPARED BY: GZA GeoEnvironmental, Inc. Engineers and Scientists www.gza.com	PREPARED FOR: 
PROJ MGR: TLT DESIGNED BY: LEW DATE: JUNE 2019	REVIEWED BY: TLT DRAWN BY: LEW PROJECT NO. 04.0190507.71
CHECKED BY: DMZ SCALE: 1 in = 1,000 ft REVISION NO.	EXHIBIT <b>1</b>





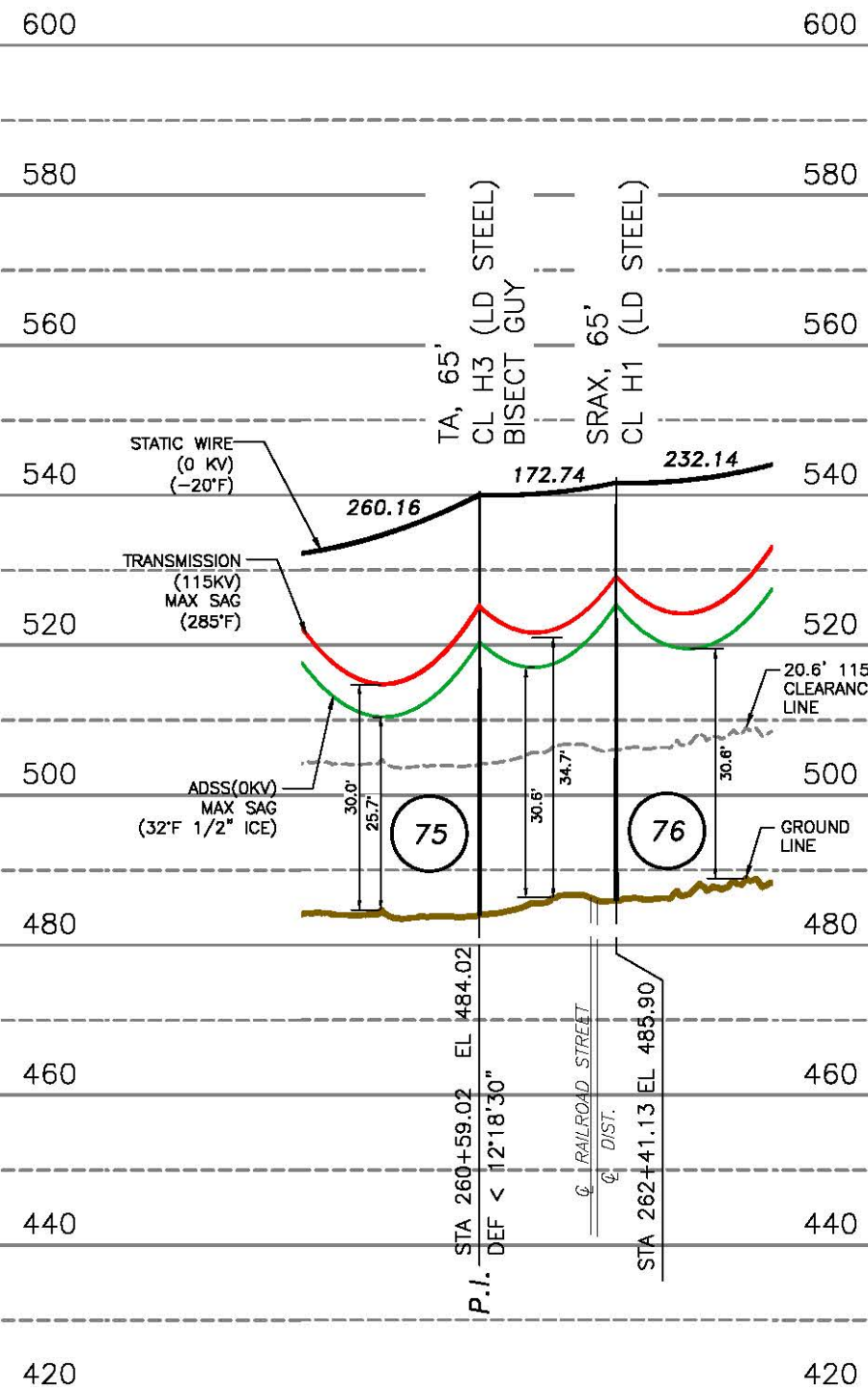
Sources: Esri, HERE, DeLorme, Intermap, increment P Corp., GEBCO, USGS, FAO, NPS, NRCAN, GeoBase, IGN, Kadaster NL, Ordnance Survey, Esri Japan, METI, Esri China (Hong Kong), swisstopo, MapmyIndia, © OpenStreetMap contributors, and the GIS User Community

UNLESS SPECIFICALLY STATED BY WRITTEN AGREEMENT, THIS DRAWING IS THE SOLE PROPERTY OF GZA GEOENVIRONMENTAL, INC. (GZA). THE INFORMATION SHOWN ON THE DRAWING IS SOLELY FOR THE USE BY GZA'S CLIENT OR THE CLIENT'S DESIGNATED REPRESENTATIVE FOR THE SPECIFIC PROJECT AND LOCATION IDENTIFIED ON THE DRAWING. THE DRAWING SHALL NOT BE TRANSFERRED, REUSED, COPIED, OR ALTERED IN ANY MANNER FOR USE AT ANY OTHER LOCATION OR FOR ANY OTHER PURPOSE WITHOUT THE PRIOR WRITTEN CONSENT OF GZA. ANY TRANSFER, REUSE, OR MODIFICATION TO THE DRAWING BY THE CLIENT OR OTHERS, WITHOUT THE PRIOR WRITTEN EXPRESS CONSENT OF GZA, WILL BE AT THE USER'S SOLE RISK AND WITHOUT ANY RISK OR LIABILITY TO GZA.

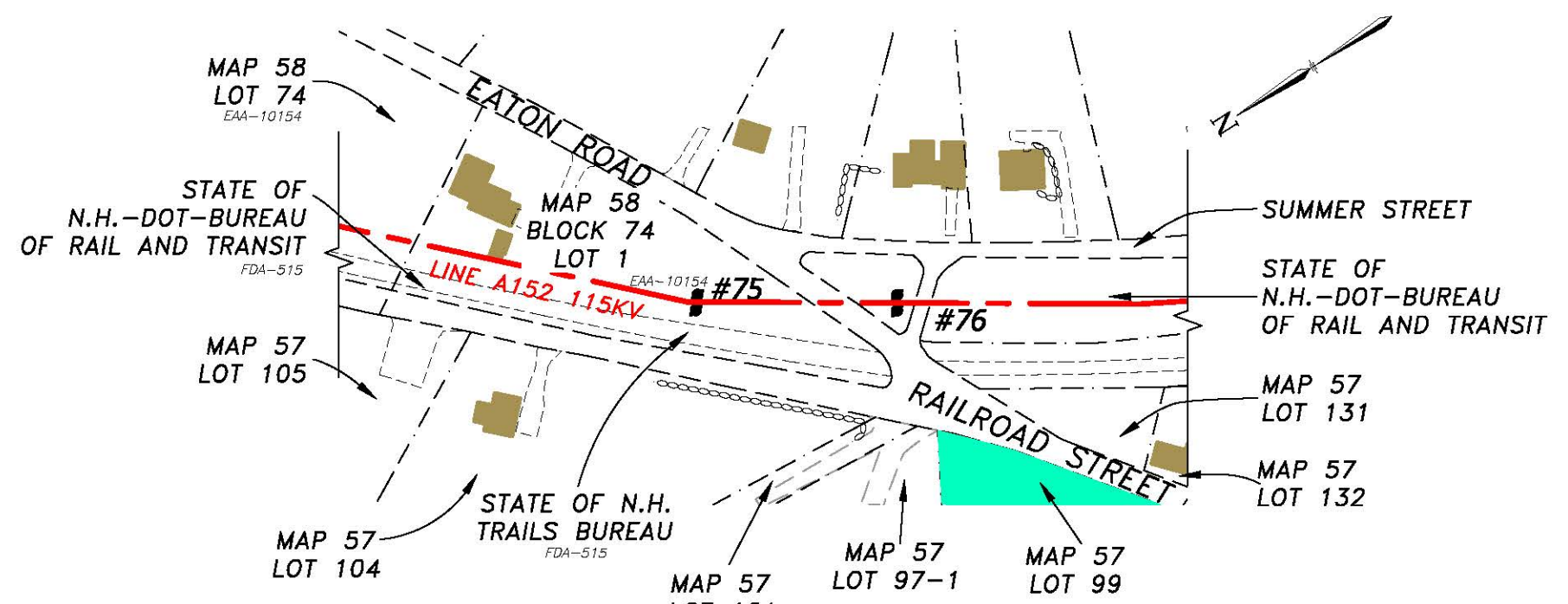
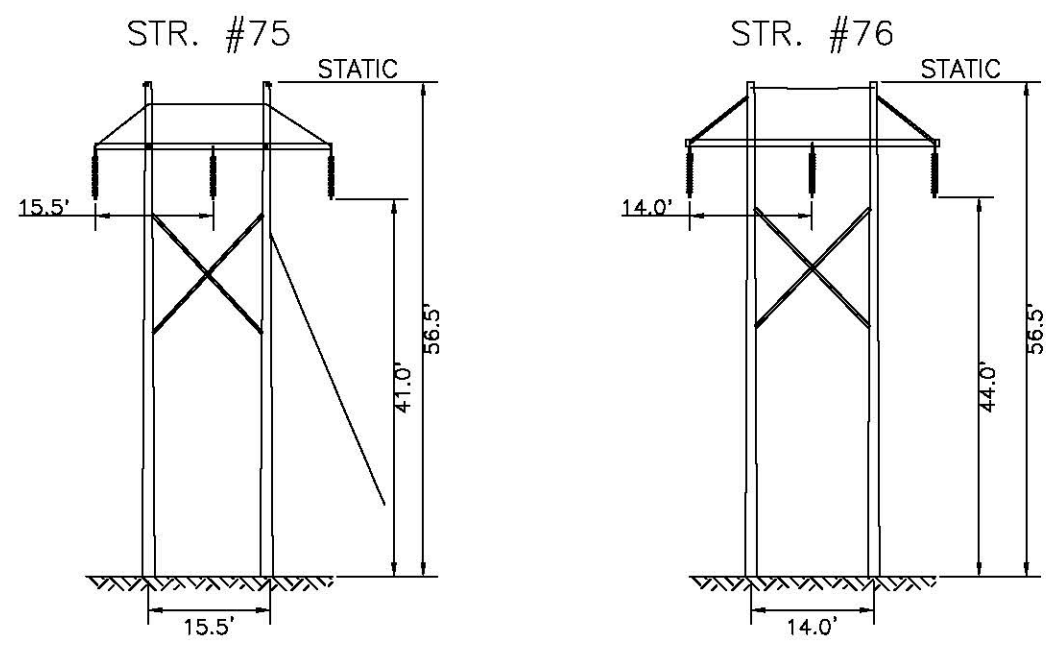
NO.	ISSUE / DESCRIPTION	BY	DATE

**LINE A152 115KV TRANSMISSION  
STATE LAND CROSSING  
WINCHESTER, N.H.  
EXHIBIT #1A**

PREPARED BY:  <b>GZA GeoEnvironmental, Inc.</b> Engineers and Scientists <a href="http://www.gza.com">www.gza.com</a>		PREPARED FOR: 	
PROJ MGR: TLT DESIGNED BY: LEW DATE: JUNE 2019	REVIEWED BY: TLT DRAWN BY: LEW PROJECT NO.: 04.0190507.71	CHECKED BY: DMZ SCALE: 1 in = 1,000 ft REVISION NO.	EXHIBIT <b>1A</b>



TOWN OF SWANZEY, N.H.



NOTES:  
 1. VERTICAL DATUM IS NAVD88 IN FEET.  
 2. COORDINATE SYSTEM IS NEW HAMPSHIRE STATE PLANE NAD 83 US SURVEY FEET.

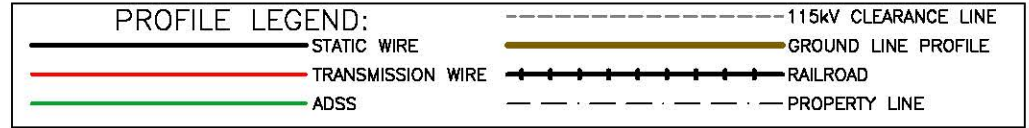
STRUCTURE LOCATION:

STR. #75 - LAT.= 42°52'19.829"N  
 LONG.= 72°19'14.269"W  
 STR. #76 - LAT.= 42°52'18.375"N  
 LONG.= 72°19'15.723"W

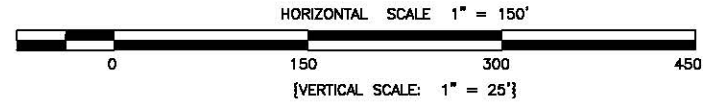
CABLE SCHEDULE:

WIRE	# OF CABLES	TYPE	DIA. (IN.)	WEIGHT/1000 FT	CABLE STRENGTH (LBS.)
STATIC	2	7#8 ALUMOWELD	0.385	262	15,930
TRANSMISSION COND.	3	795 KCMIL 36/1 STRANDS COOT ACSR	1.040	805	16,800
ADSS	1	ADSS OFS AT-XXX27DT-064-TNGE-J	0.638	138	9,480

PROFILE LEGEND:



GRAPHIC SCALE



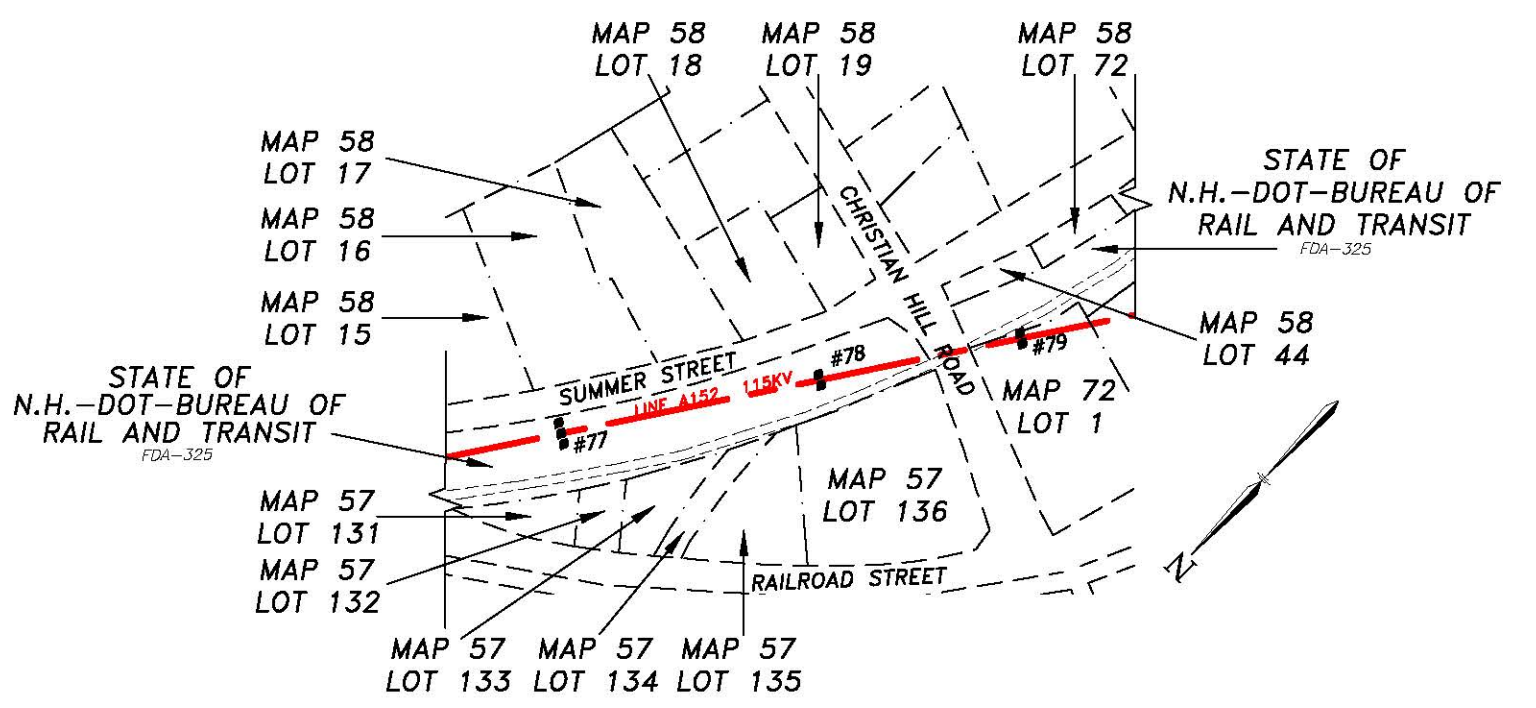
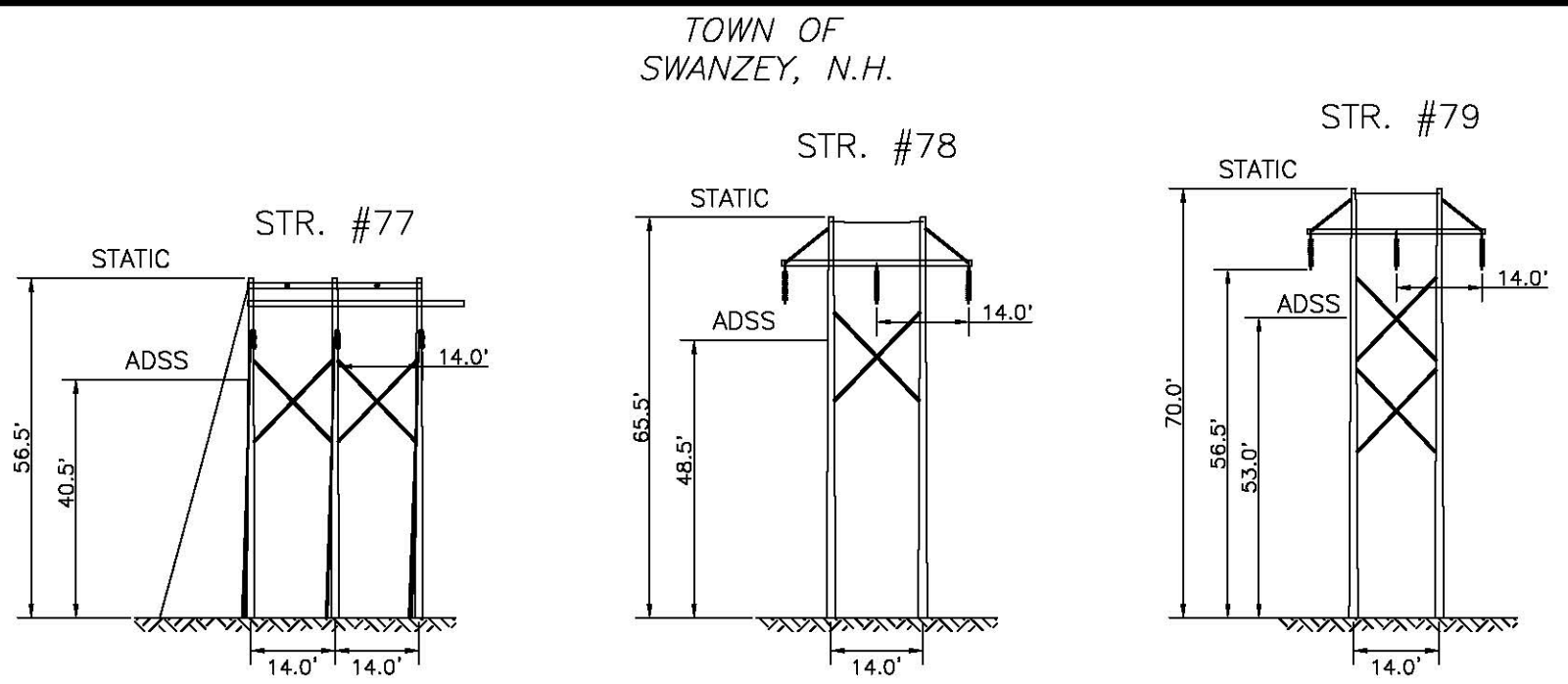
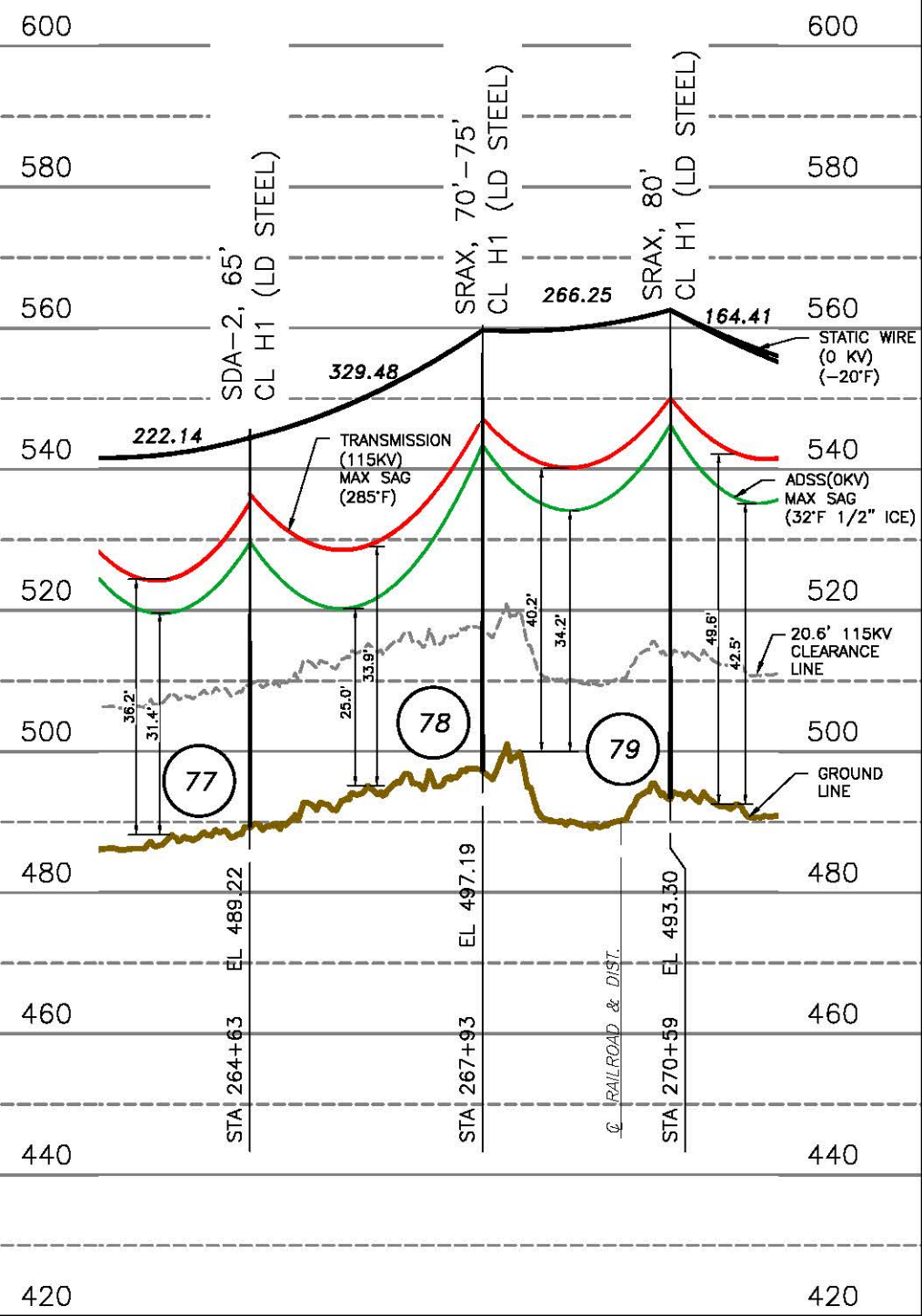
DWG REV	EPN/DESCRIPTION	CONT/PE#	DATE	DRN	CHKD	APPR
4	RE-ISSUED FOR USE		08/30/19	SAL	NEB	GEL
3	RE-ISSUED FOR USE		08/16/19	SAL	NEB	GEL
2	RE-ISSUED FOR USE		08/14/19	SAL	NEB	GEL
1	RE-ISSUED FOR USE		05/31/19	NEB	JJD	GEL
0	ISSUED FOR USE		04/18/19	SAL	NEB	GEL
A	ISSUED FOR REVIEW		03/01/19	SAL	NEB	GEL

**EVERSOURCE ENERGY**

LINE A152 115KV TRANSMISSION  
 STATE LAND CROSSING  
 SWANZEY, N.H.  
 EXHIBIT #2

T	4
DRAWN	SAL/TRC
ENGINEER	GEL/TRC
CHECKED	NEB/TRC
APPROVED	GEL/TRC
DATE	01/30/19

SCALE: AS SHOWN  
 FILE: A15243902-SH02.DWG  
 DRAWING NO.: A15243902-SH02

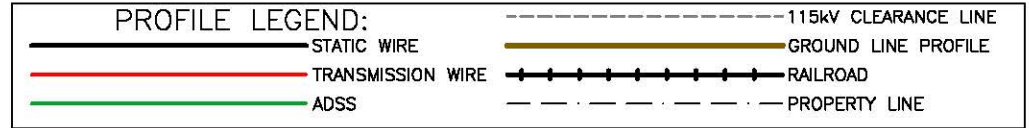


NOTES:  
 1. VERTICAL DATUM IS NAVD88 IN FEET.  
 2. COORDINATE SYSTEM IS NEW HAMPSHIRE STATE PLANE NAD 83 US SURVEY FEET.

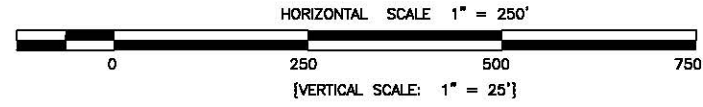
STRUCTURE LOCATION:  
 STR. #77 - LAT.= 42°52'16.645"N  
 LONG.= 72°19'17.557"W  
 STR. #78 - LAT.= 42°52'13.951"N  
 LONG.= 72°19'20.041"W  
 STR. #79 - LAT.= 42°52'11.775"N  
 LONG.= 72°19'22.047"W

CABLE SCHEDULE:

WIRE	# OF CABLES	TYPE	DIA. (IN.)	WEIGHT/1000 FT	CABLE STRENGTH (LBS.)
STATIC	2	7#8 ALUMOWELD	0.385	262	15,930
TRANSMISSION COND.	3	795 KCMIL 36/1 STRANDS COOT ACSR	1.040	805	16,800
ADSS	1	ADSS OFS AT-XXX27DT-064-TNGE-J	0.638	138	9,480



GRAPHIC SCALE



DWG REV	EPN/DESCRIPTION	CONT/PE#	DATE	DRN	CHKD	APPR
2	RE-ISSUED FOR USE		09/06/19	SAL	NEB	GEL
1	RE-ISSUED FOR USE		06/14/19	SAL	NEB	GEL
0	ISSUED FOR USE		05/31/19	NEB	JJD	GEL
A	ISSUED FOR REVIEW		03/01/19	SAL	JJD	GEL

**EVERSOURCE ENERGY**

LINE A152 115KV TRANSMISSION  
 STATE LAND CROSSING  
 SWANZEY, N.H.  
 EXHIBIT #3

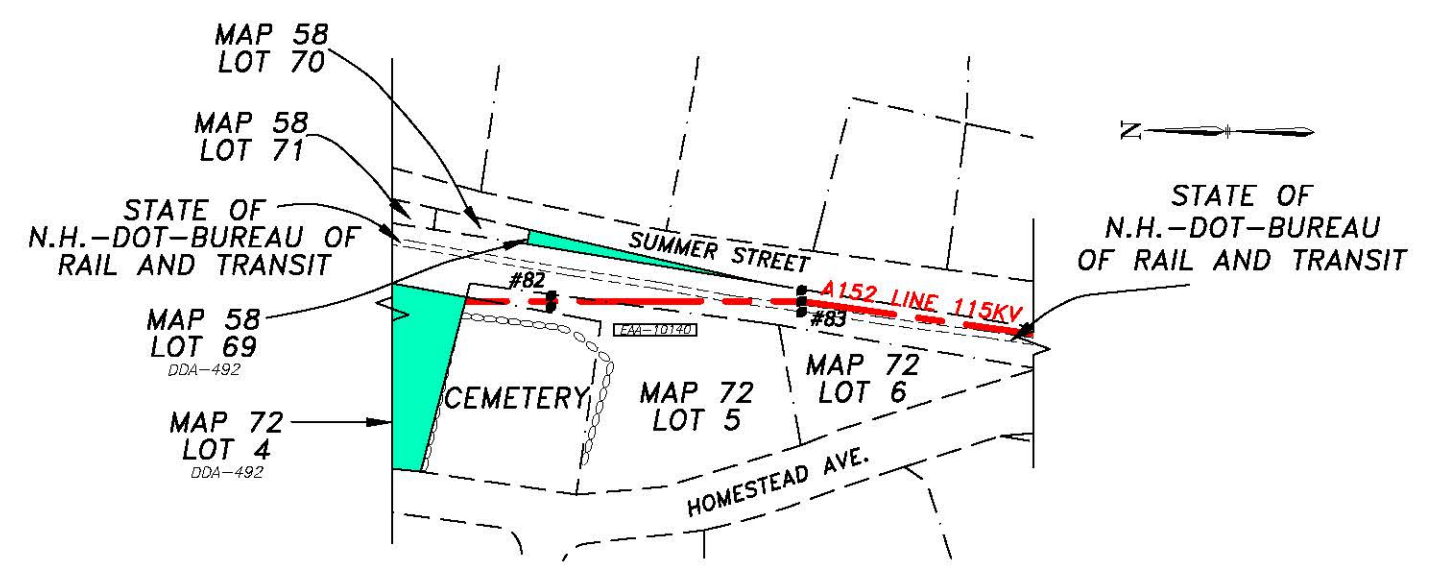
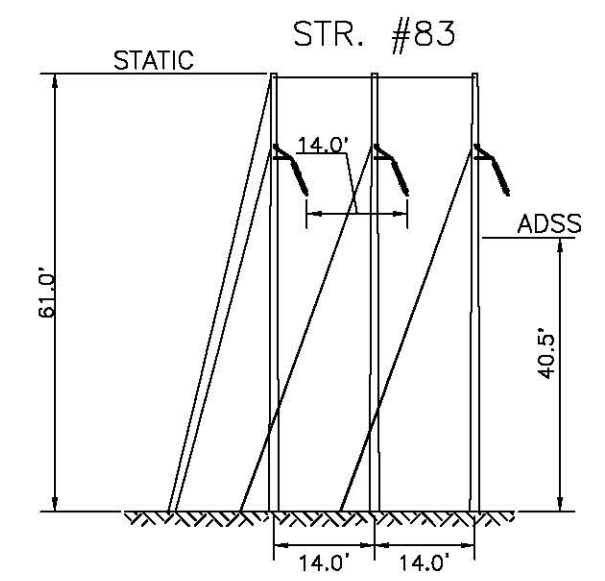
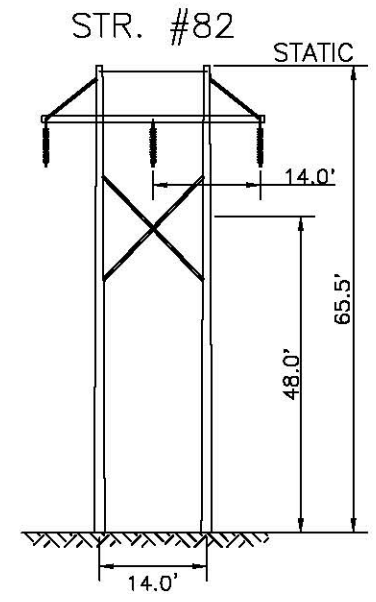
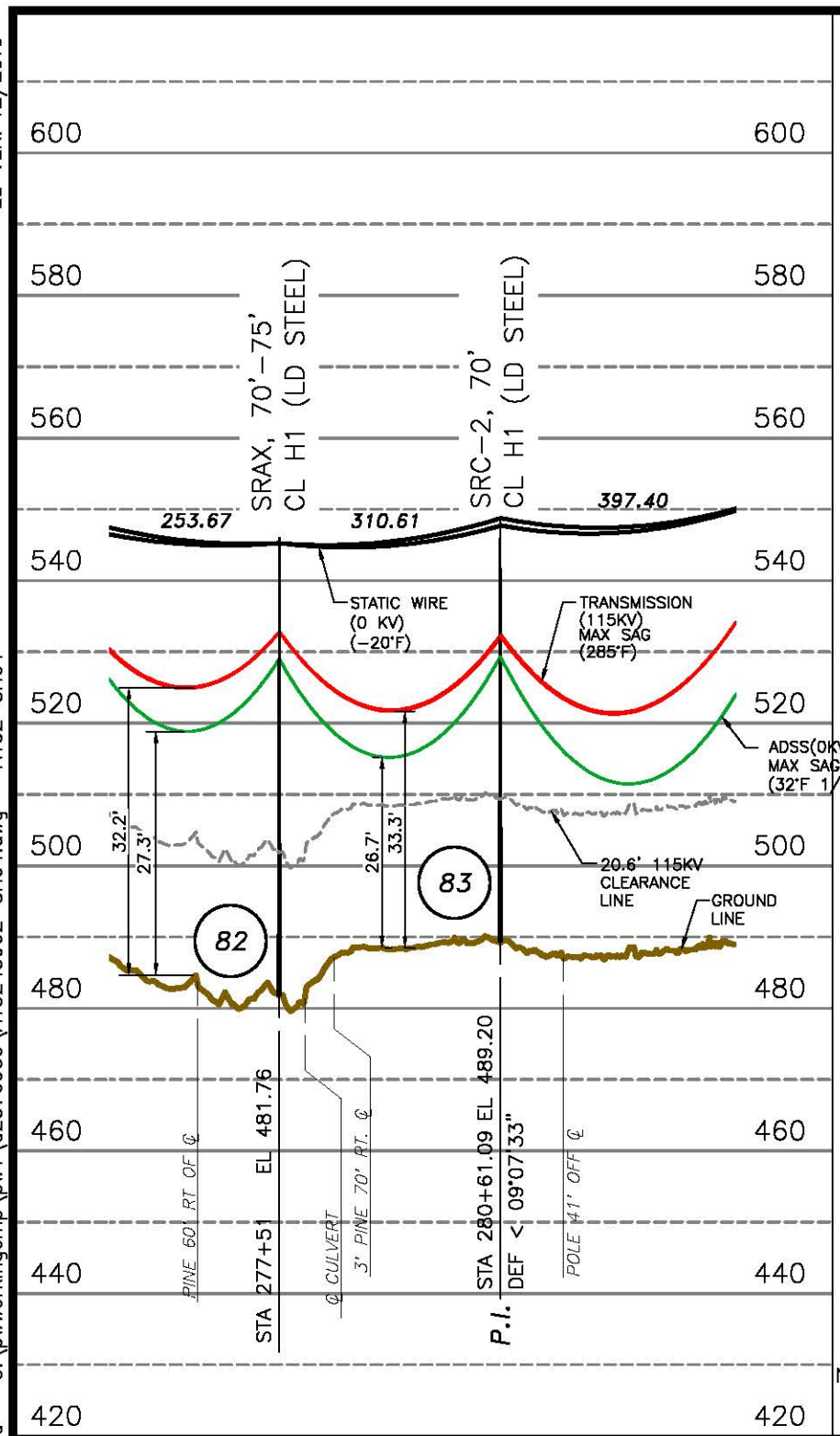
SCALE: AS SHOWN  
 FILE: A15243902-SH03.DWG  
 IMAGE:

T	2
DRAWN	SAL/TRC
ENGINEER	GEL/TRC
CHECKED	JJD/TRC
APPROVED	GEL/TRC
DATE	01/26/19
DRAWING NO.	A15243902-SH03

ES VER: 12/2016

9/3/2019 11:45 AM - Slessard - C:\pwworking\p\dwg\d2576959\A15243902-SH04.dwg - A152-SH04

TOWN OF SWANZEY, N.H.



NOTES:  
 1. VERTICAL DATUM IS NAVD88 IN FEET.  
 2. COORDINATE SYSTEM IS NEW HAMPSHIRE STATE PLANE NAD 83 US SURVEY FEET.

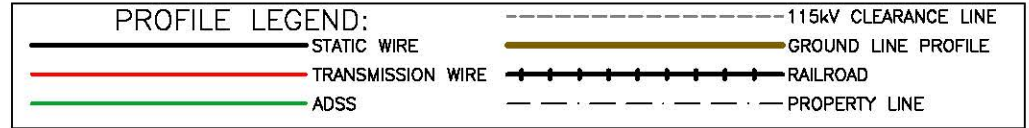
STRUCTURE LOCATION:

STR. #82 - LAT.= 42°52'5.245"N  
 LONG.= 72°19'23.719"W  
 STR. #83 - LAT.= 42°52'2.179"N  
 LONG.= 72°19'23.567"W

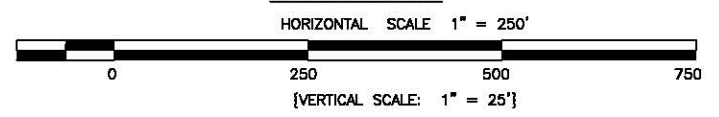
CABLE SCHEDULE:

WIRE	# OF CABLES	TYPE	DIA. (IN.)	WEIGHT/1000 FT	CABLE STRENGTH (LBS.)
STATIC	2	7#8 ALUMOWELD	0.385	262	15,930
TRANSMISSION COND.	3	795 KCMIL 36/1 STRANDS COOT ACSR	1.040	805	16,800
ADSS	1	ADSS OFS AT-XXX27DT-064-TNGE-J	0.638	138	9,480

PROFILE LEGEND:



GRAPHIC SCALE



DWG REV	EPN/DESCRIPTION	CONT/PE#	DATE	DRN	CHKD	APPR
4	RE-ISSUED FOR USE		09/05/19	SAL	NEB	GEL
3	RE-ISSUED FOR USE		08/30/19	SAL	NEB	GEL
2	RE-ISSUED FOR USE		08/16/19	SAL	NEB	GEL
1	RE-ISSUED FOR USE		06/14/19	SAL	NEB	GEL
0	ISSUED FOR USE		05/31/19	NEB	JJD	GEL
A	ISSUED FOR REVIEW		03/01/19	SAL	JJD	GEL

**EVERSOURCE ENERGY**

LINE A152 115KV TRANSMISSION  
 STATE LAND CROSSING  
 SWANZEY, N.H.  
 EXHIBIT #4

T 4  
 DRAWN SAL/TRC  
 ENGINEER GEL/TRC  
 CHECKED JJD/TRC  
 APPROVED GEL/TRC  
 DATE 01/31/19

SCALE AS SHOWN  
 FILE: A15243902-SH04.DWG  
 DRAWING NO. A15243902-SH04



