

LOCATION PLAN

EXHIBIT 1

LEGEND:

- ## A152 STR
- C/L A152 - MIDDLE OF STRUCTURE

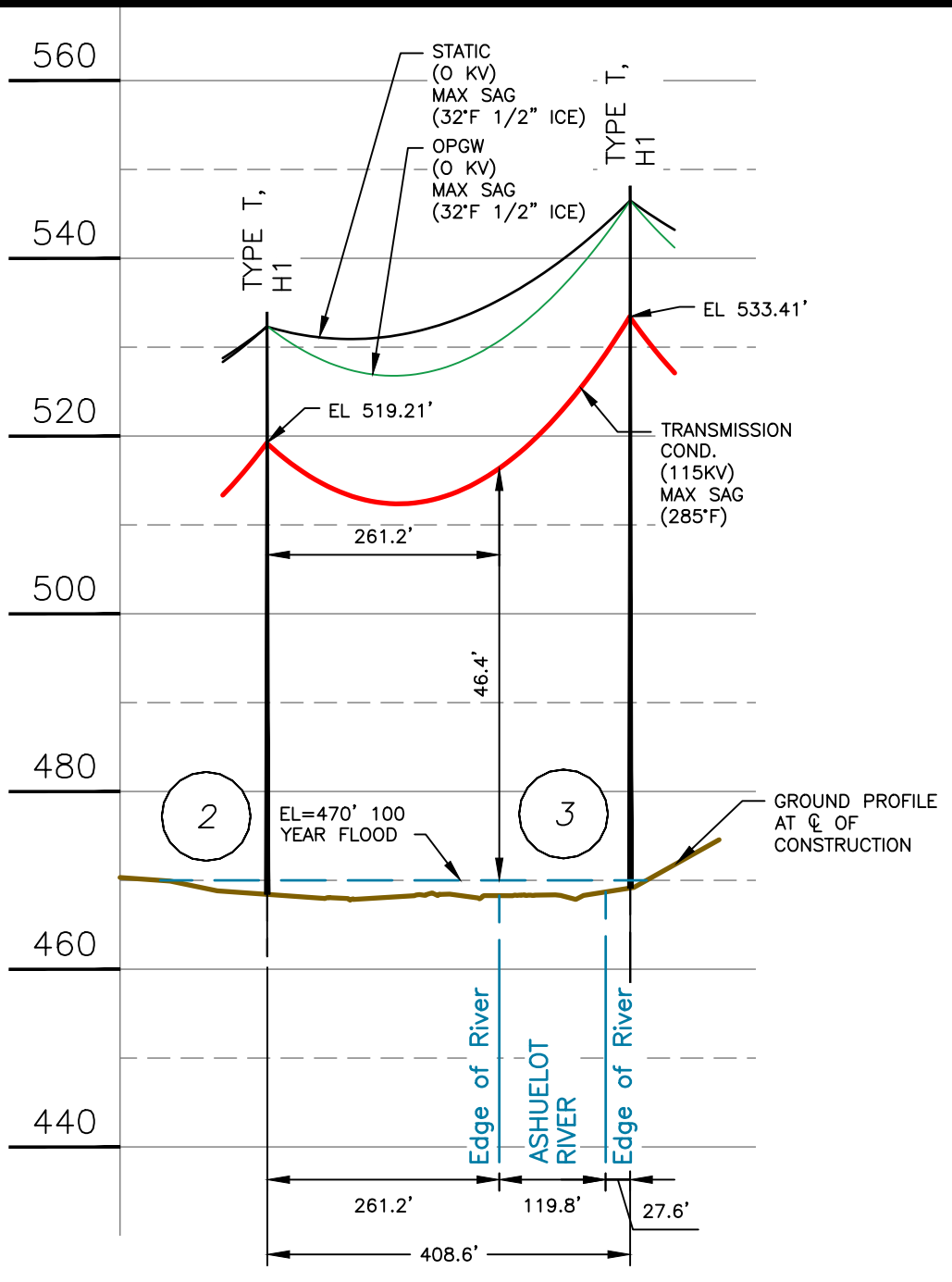
EVERSOURCE ENERGY

LINE A152 115KV TRANSMISSION
STATE LAND AND PUBLIC WATERBODY CROSSINGS
KEENE, SWANZEY & WINCHESTER, NH
EXHIBIT #1

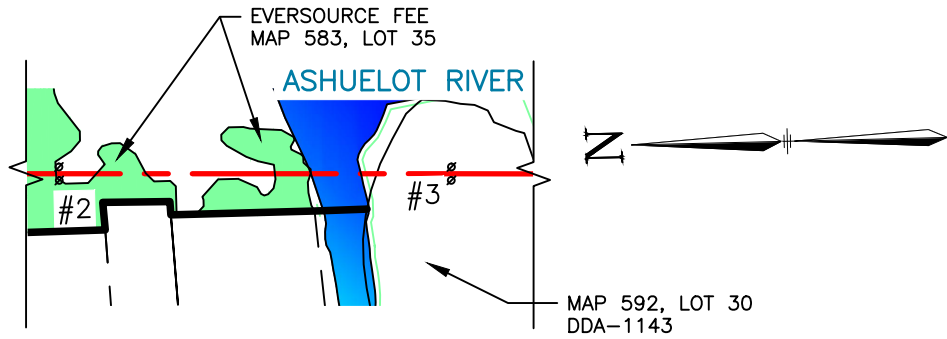
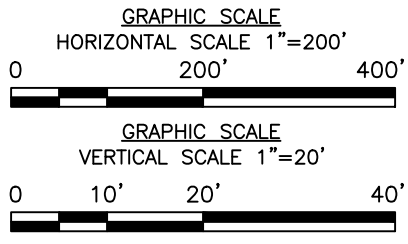
T	O
DRAWN GEB	
ENGINEER MDM	
CHECKED DWW	
APPROVED APS	
DATE 09/30/2021	

0	SUBMIT TO PUC	LEIDOS	09/30/21	GEB	DWW	APS
DWG REV	EPN/DESCRIPTION	CONT/PE#	DATE	DRN	CHKD	APPR

SCALE NTS	FILE: A15243913.DWG	DRAWING NO. A15243913
	IMAGE:	



PROFILE VIEW



PLAN VIEW

SCALE: 1"=200'

PLAN LEGEND:

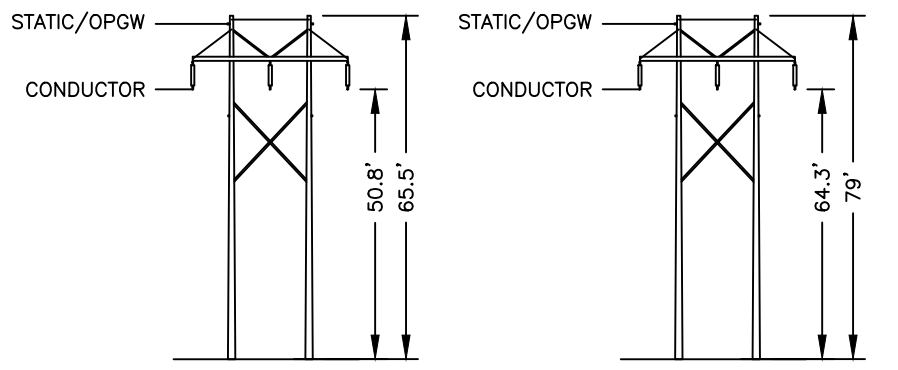
	STRUCTURE
	C/L A152 - MIDDLE OF STRUCTURE
	PARCEL LINE
	ROW
	EVERSOURCE FEE
	STATE LAND

STRUCTURE LOCATION

STRUCTURE	LONGITUDE	LATITUDE
2	-72.28704121	42.92850150
3	-72.28706600	42.92738051

NESC VERTICAL CLEARANCE (FT)

NATURE OF SURFACE UNDERNEATH WIRES, CONDUCTORS OR CABLES	115kV
WATER AREAS NOT SUITABLE FOR SAILBOATING	18.6



STRUCTURE DETAIL

SCALE: NTS

CABLE SCHEDULE

WIRE	QTY OF CABLES	DESCRIPTION	DESIGN CONDITIONS			
			MAX DESIGN TENSION (LB)	TEMP (°F)	ICE (IN)	WIND (PSF)
STATIC	1	7#8 ALUMOWELD	3,600	0	0.5	4
OPGW	1	64 FIBER OPGW	4,500	0	0.5	4
TRANSMISSION COND.	3	1590 KCMIL ACSR 45/7 LAPWING	4,000	0	0.5	4

- NOTES:**
- GROUND ELEVATION PROFILE DETERMINED USING INFORMATION FROM LIDAR SURVEY.
 - VERTICAL DATUM IS NAVD88 IN FEET.
 - ONLY LOWEST CONDUCTOR SHOWN FOR CLARITY.
 - PARCEL INFORMATION PROVIDED BY NH GRANIT.
 - 100 YEAR FLOOD ELEVATION FROM THE FEMA FLOOD MAP SERVICE CENTER, NATIONAL FLOOD HAZARD LAYER FIRMETTE, 1/16/2020.

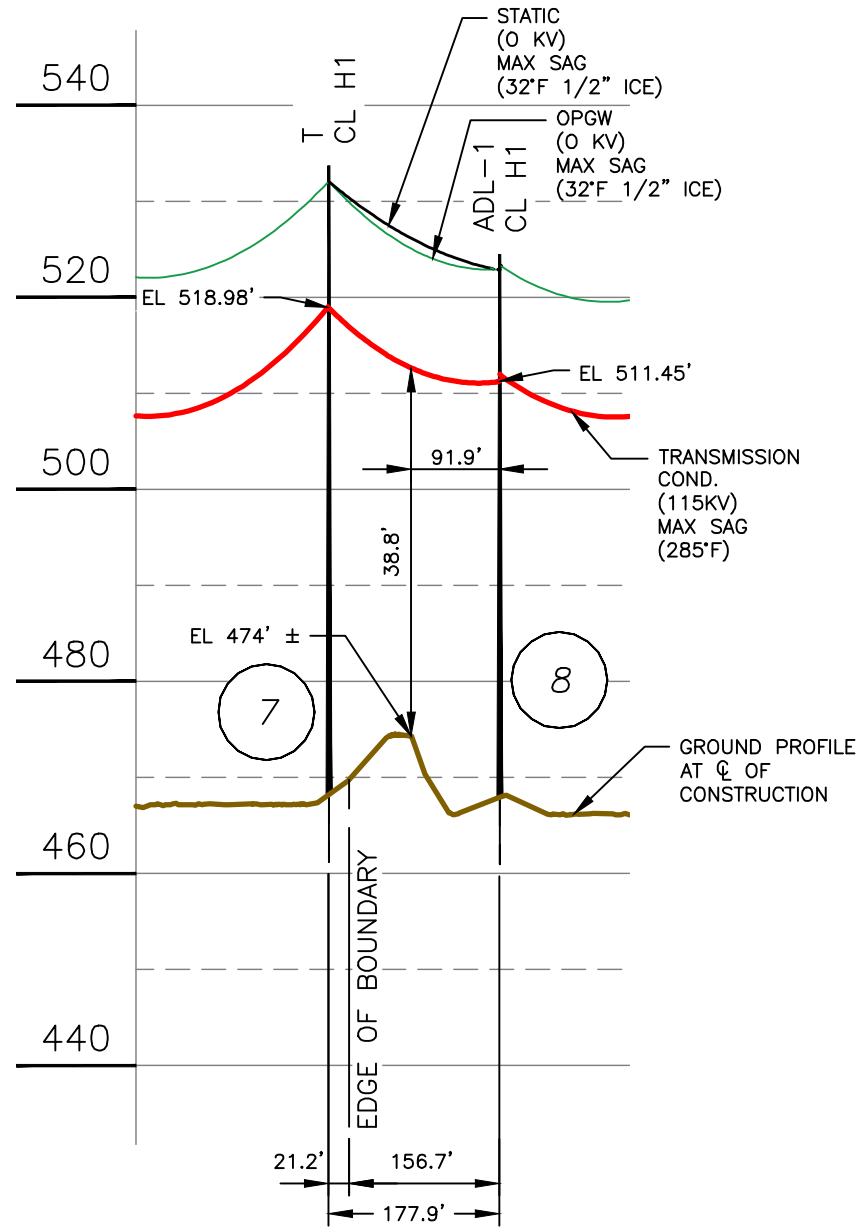
0	SUBMIT TO PUC	LEIDOS	09/30/21	GEB	DWW	APS
DWG REV	EPN/DESCRIPTION	CONT/PE#	DATE	DRN	CHKD	APPR

EVERSOURCE ENERGY

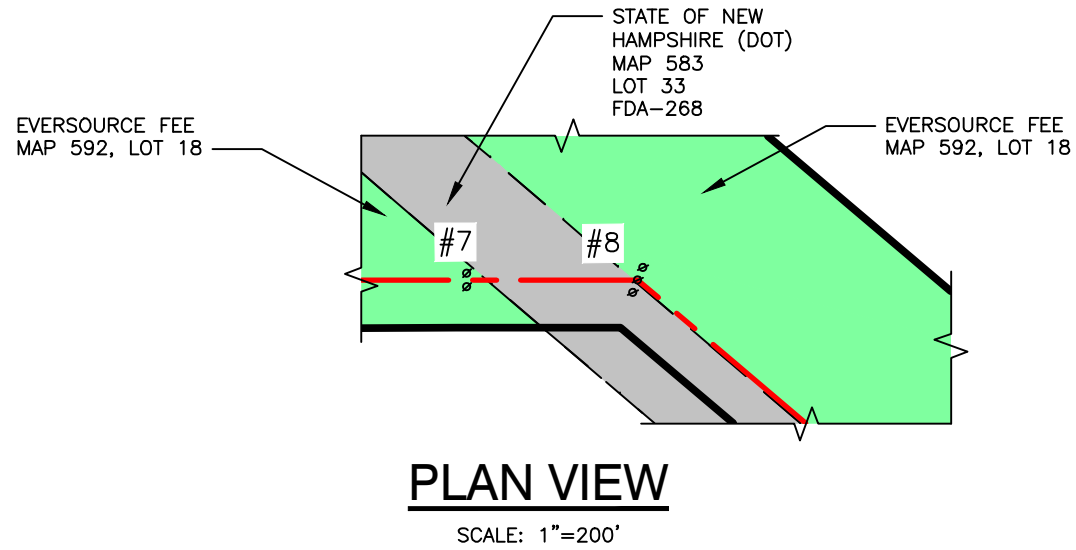
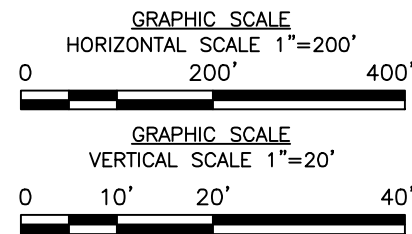
T	0
DRAWN	GEB
ENGINEER	MDM
CHECKED	DWW
APPROVED	APS
DATE	09/30/2021

LINE A152 115kV TRANSMISSION
ASHUELOT RIVER CROSSING
KEENE, NH
EXHIBIT #2

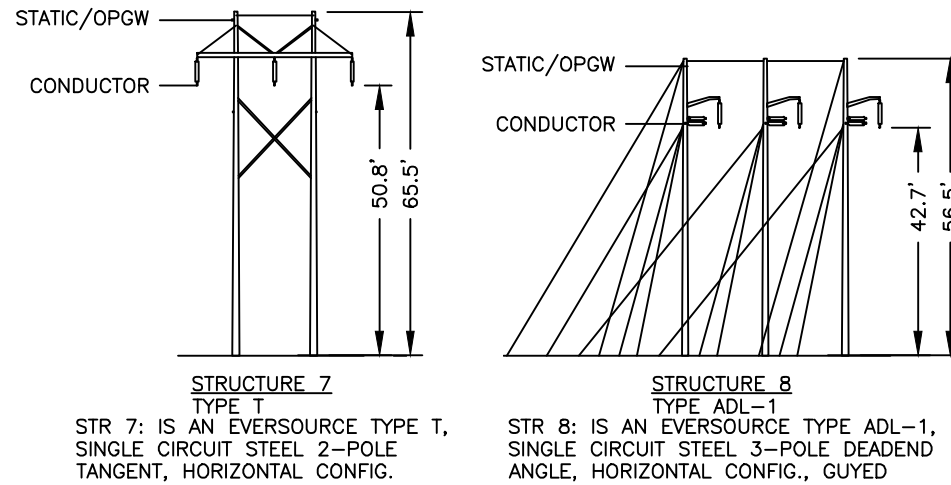
SCALE	AS SHOWN	FILE: A15243914.DWG	DRAWING NO.	A15243914
-------	----------	---------------------	-------------	-----------



PROFILE VIEW



PLAN VIEW



STRUCTURE DETAIL

SCALE: NTS

PLAN LEGEND:

- ∅ STRUCTURE
- C/L A152 - MIDDLE OF STRUCTURE
- - - - - PARCEL LINE
- ROW
- EVERSOURCE FEE
- STATE LAND

STRUCTURE LOCATION		
STRUCTURE	LONGITUDE	LATITUDE
7	-72.28475621	42.92400953
8	-72.28435515	42.92362042

NESC VERTICAL CLEARANCE (FT)	
NATURE OF SURFACE UNDERNEATH WIRES, CONDUCTORS OR CABLES	115kV
TOP OF TRACK RAIL	28.1

CABLE SCHEDULE						
WIRE	QTY OF CABLES	DESCRIPTION	DESIGN CONDITIONS			
			MAX DESIGN TENSION (LB)	TEMP (°F)	ICE (IN)	WIND (PSF)
STATIC	1	7#8 ALUMOWELD	3,600	0	0.5	4
OPGW	1	64 FIBER OPGW	4,500	0	0.5	4
TRANSMISSION COND.	3	1590 KCMIL ACSR 45/7 LAPWING	12,000	0	0.5	4

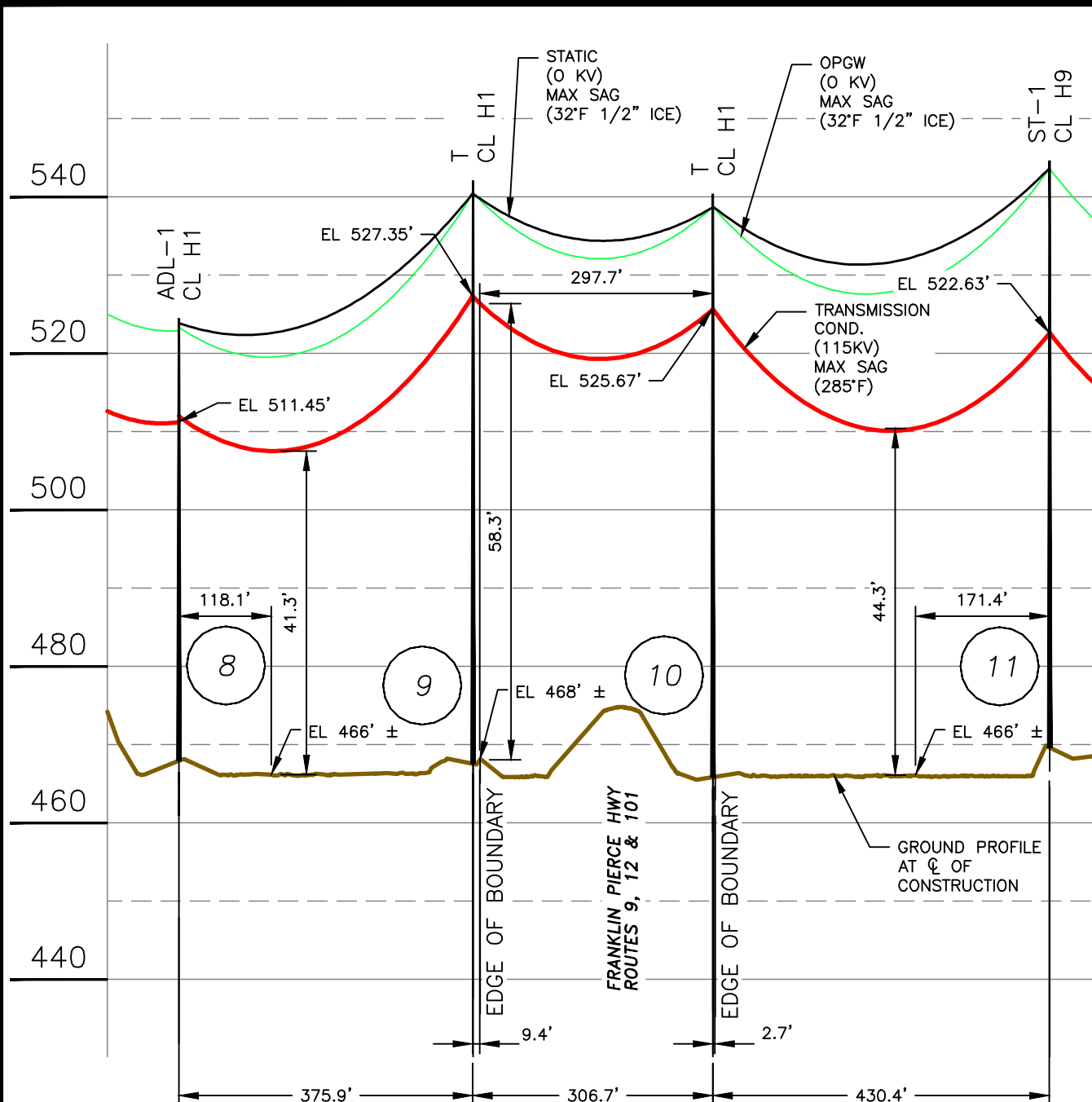
NOTES:

- GROUND ELEVATION PROFILE DETERMINED USING INFORMATION FROM LIDAR SURVEY.
- VERTICAL DATUM IS NAVD88 IN FEET.
- ONLY LOWEST CONDUCTOR SHOWN FOR CLARITY.
- PARCEL INFORMATION PROVIDED BY NH GRANIT.

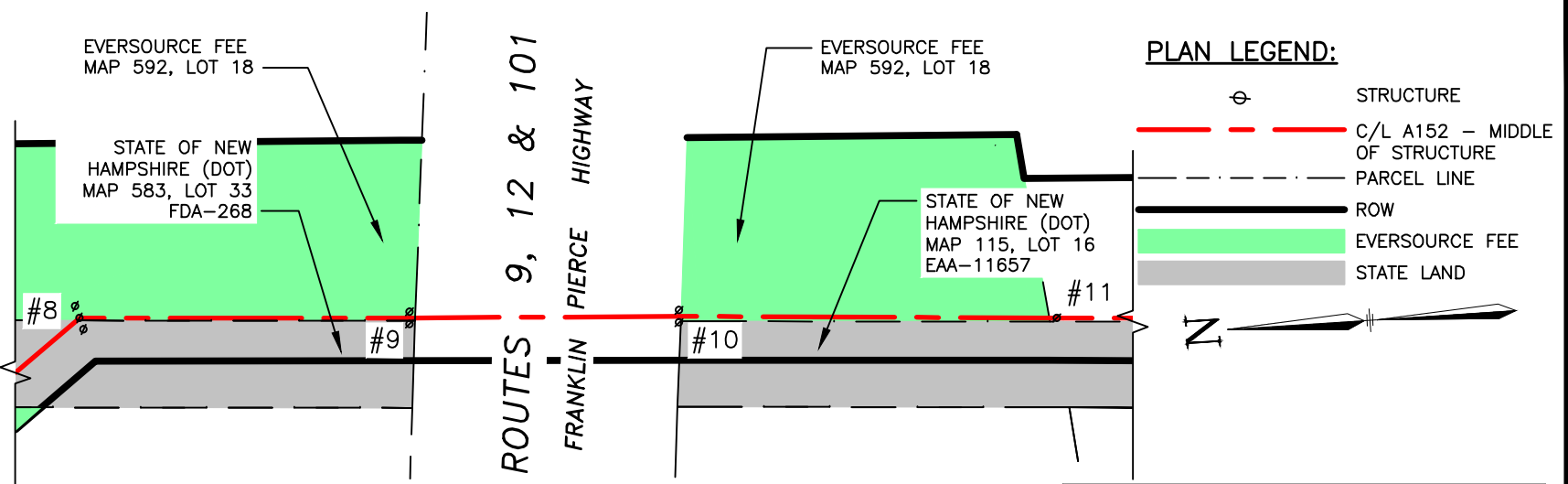
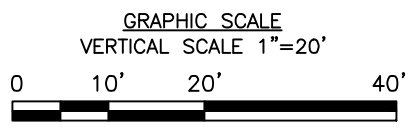
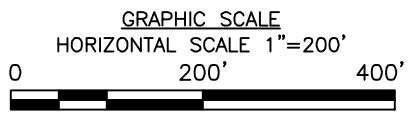
<p>LINE A152 115kV TRANSMISSION STATE-OWNED LAND CROSSING KEENE, NH EXHIBIT #3</p>	T 0
	DRAWN GEB
	ENGINEER MDM
	CHECKED DWW
	APPROVED APS
DATE 09/30/2021	DRAWING NO. A15243901

DWG REV	EPN/DESCRIPTION	CONT/PE#	DATE	DRN	CHKD	APPR
0	SUBMIT TO PUC	LEIDOS	09/30/21	GEB	DWW	APS

SCALE AS SHOWN	FILE: A15243901.DWG	DRAWING NO. A15243901
-------------------	---------------------	--------------------------

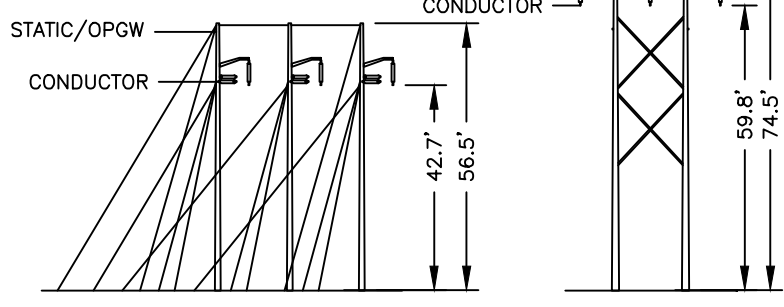


PROFILE VIEW



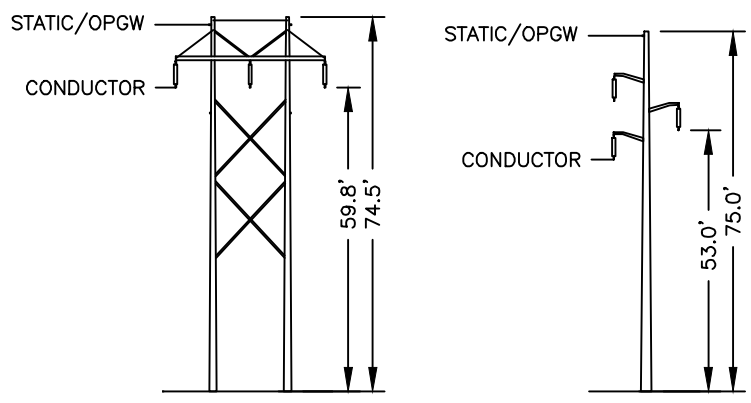
PLAN VIEW

SCALE: 1"=200'



STRUCTURE 8
TYPE ADL-1
STR 8: IS AN EVERSOURCE TYPE ADL-1, SINGLE CIRCUIT STEEL 3-POLE DEADEND ANGLE, HORIZONTAL CONFIG., GUYED

STRUCTURE 9
TYPE T
STR 9: IS AN EVERSOURCE TYPE T, SINGLE CIRCUIT STEEL 2-POLE TANGENT, HORIZONTAL CONFIG.



STRUCTURE 10
TYPE T
STR 10: IS AN EVERSOURCE TYPE T, SINGLE CIRCUIT STEEL 2-POLE TANGENT, HORIZONTAL CONFIG.

STRUCTURE 11
TYPE ST-1
STR 11: IS AN EVERSOURCE TYPE ST-1, SINGLE CIRCUIT STEEL POLE TANGENT, DELTA CONFIG.

STRUCTURE DETAIL

SCALE: NTS

PLAN LEGEND:

- ⊕ STRUCTURE
- C/L A152 - MIDDLE OF STRUCTURE
- - - PARCEL LINE
- ROW
- EVERSOURCE FEE
- STATE LAND

STRUCTURE LOCATION		
STRUCTURE	LONGITUDE	LATITUDE
8	-72.28435515	42.92362042
9	-72.28443680	42.92259099
10	-72.28449692	42.92175051
11	-72.28459694	42.92057197

NESC VERTICAL CLEARANCE (FT)	
NATURE OF SURFACE UNDERNEATH WIRES, CONDUCTORS OR CABLES	115kv
TOP OF TRACK RAIL	28.1

CABLE SCHEDULE						
WIRE	QTY OF CABLES	DESCRIPTION	DESIGN CONDITIONS			
			MAX DESIGN TENSION (LB)	TEMP (°F)	ICE (IN)	WIND (PSF)
STATIC	1	7#8 ALUMOWELD	2,700	0	0.5	4
OPGW	1	64 FIBER OPGW	4,500	0	0.5	4
TRANSMISSION COND.	3	1590 KCMIL ACSR 45/7 LAPWING	12,000	0	0.5	4

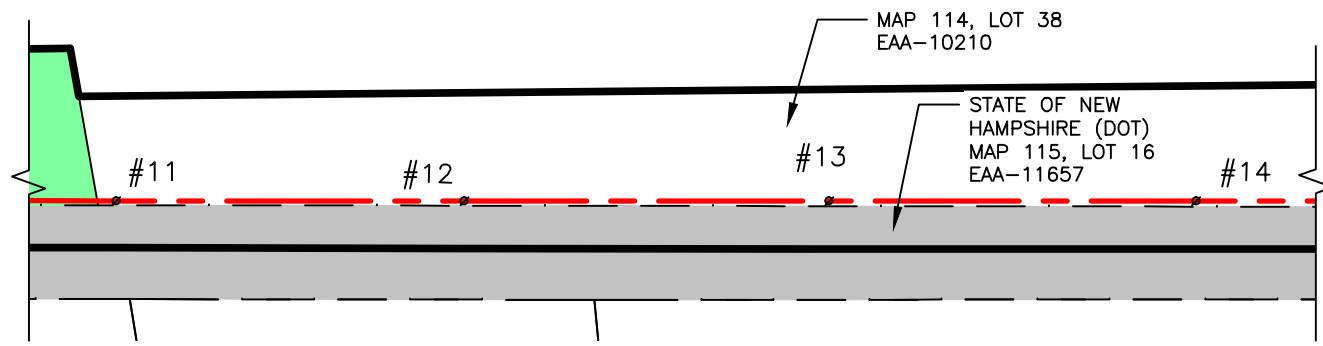
NOTES:

- GROUND ELEVATION PROFILE DETERMINED USING INFORMATION FROM LIDAR SURVEY.
- VERTICAL DATUM IS NAVD88 IN FEET.
- ONLY CONDUCTOR OVER STATE LAND (MIDDLE CONDUCTOR) SHOWN FOR CLARITY. TOP AND BOTTOM CONDUCTOR ARE OUTSIDE STATE OWNED LAND.
- PARCEL INFORMATION PROVIDED BY NH GRANIT.

LINE A152 115KV TRANSMISSION
STATE-OWNED LAND CROSSING
KEENE, NH
EXHIBIT #4

T	0
DRAWN	GEB
ENGINEER	MDM
CHECKED	DWW
APPROVED	APS
DATE	09/30/2021

DWG REV	0	SUBMIT TO PUC	LEIDOS	09/30/21	GEB	DWW	APS
EPN/DESCRIPTION	CONT/PE#	DATE	DRN	CHKD	APPR		

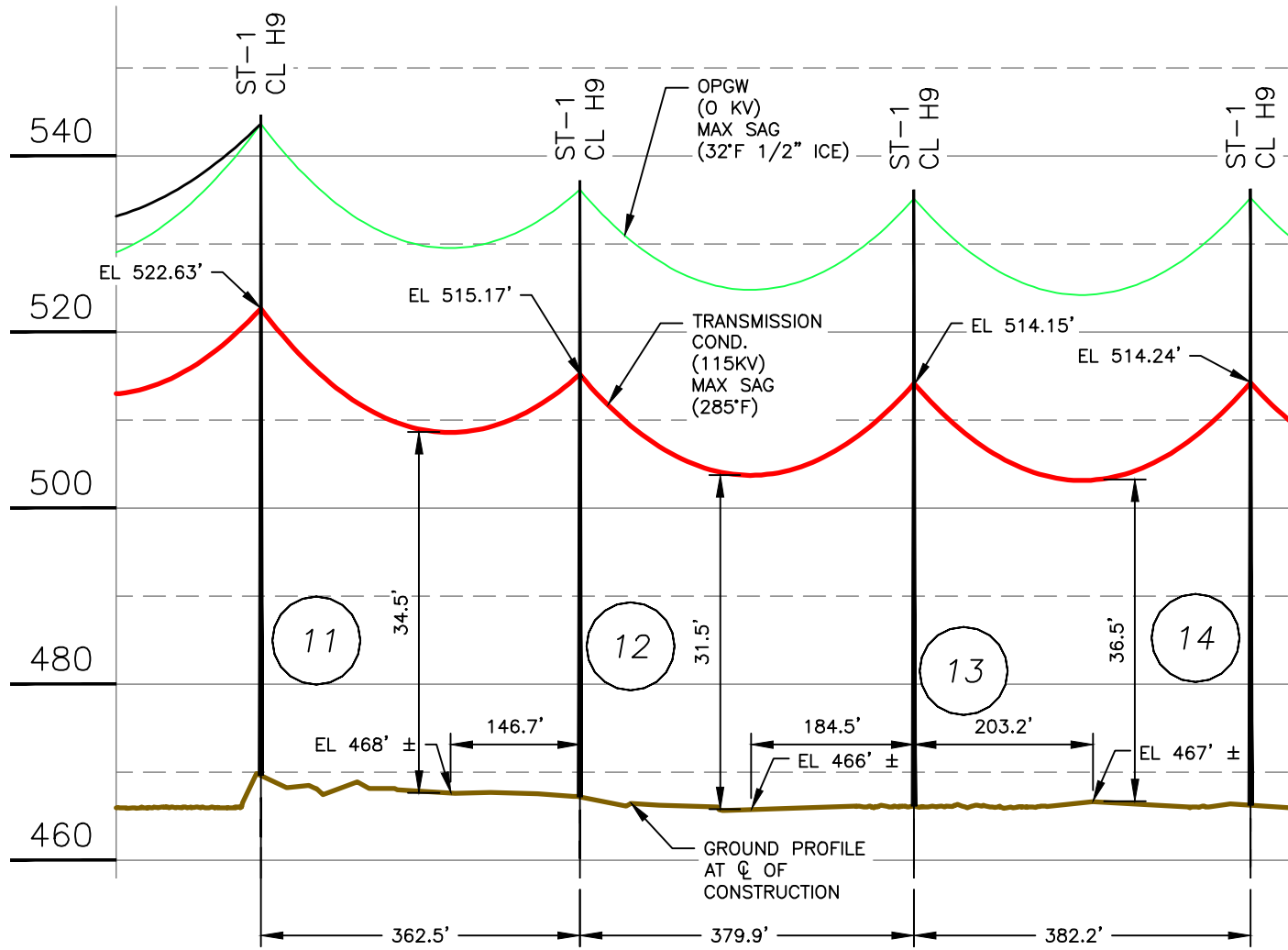


PLAN VIEW

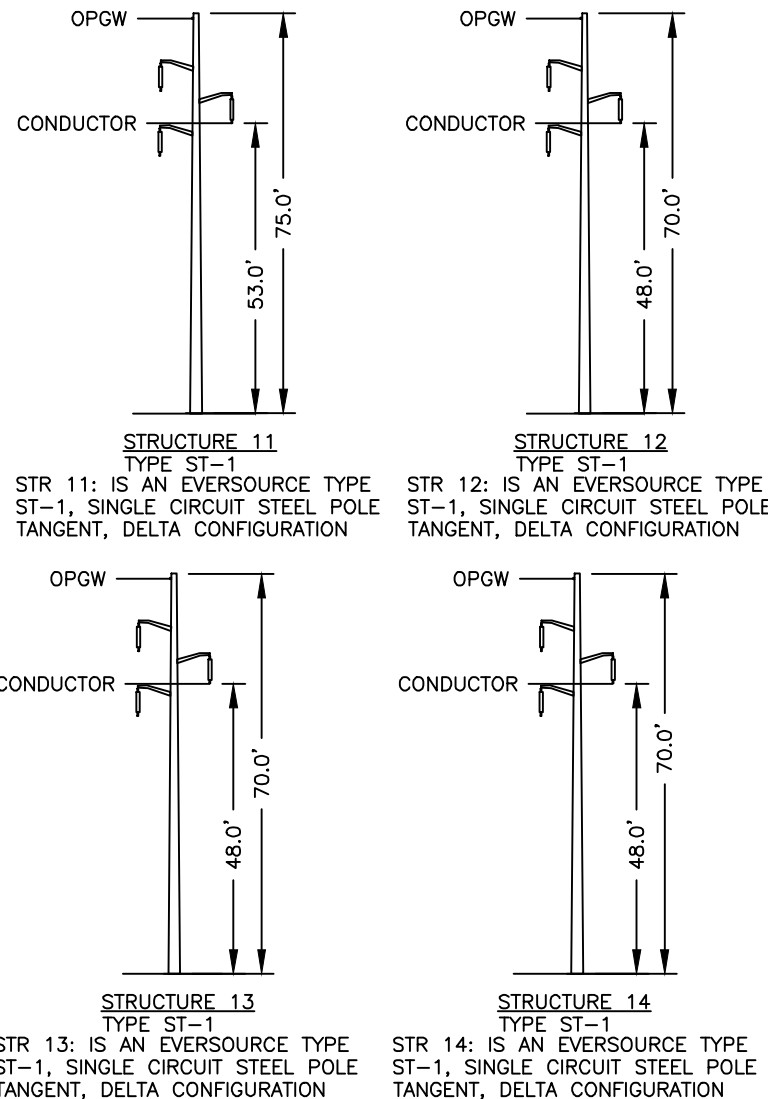
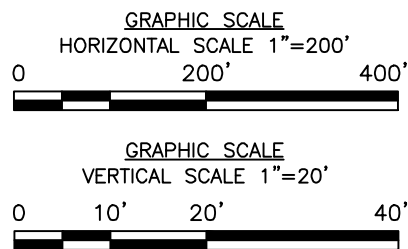
SCALE: 1"=200'

PLAN LEGEND:

- STRUCTURE
- C/L A152 - MIDDLE OF STRUCTURE
- PARCEL LINE
- ROW
- EVERSOURCE FEE
- STATE LAND



PROFILE VIEW



STRUCTURE DETAIL

SCALE: NTS

STRUCTURE LOCATION		
STRUCTURE	LONGITUDE	LATITUDE
11	-72.28459694	42.92057197
12	-72.28467569	42.91957906
13	-72.28475821	42.91853857
14	-72.28484125	42.91749156

NESC VERTICAL CLEARANCE (FT)	
NATURE OF SURFACE UNDERNEATH WIRES, CONDUCTORS OR CABLES	115KV
TOP OF TRACK RAIL	28.1

CABLE SCHEDULE						
WIRE	QTY OF CABLES	DESCRIPTION	DESIGN CONDITIONS			
			MAX DESIGN TENSION (LB)	TEMP (°F)	ICE (IN)	WIND (PSF)
OPGW	1	64 FIBER OPGW	4,500	0	0.5	4
TRANSMISSION COND.	3	1590 KCMIL ACSR 45/7 LAPWING	12,000	0	0.5	4

NOTES:

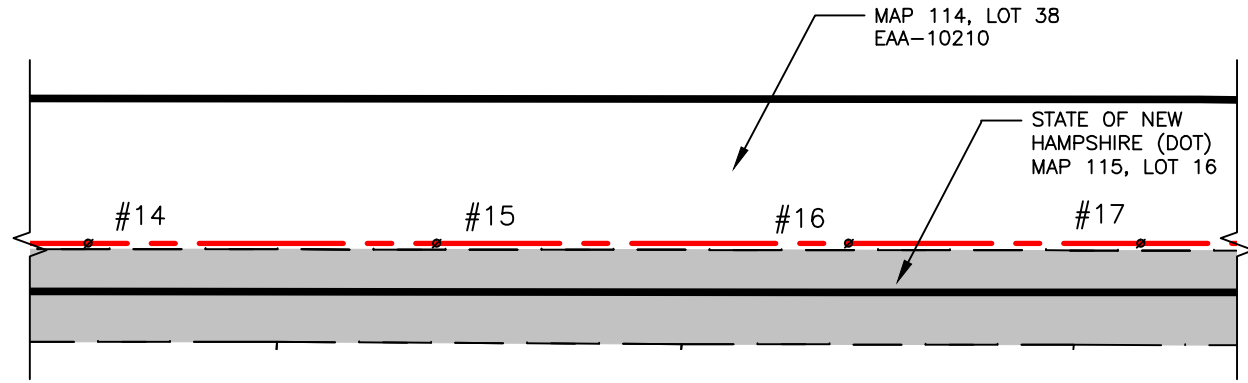
- GROUND ELEVATION PROFILE DETERMINED USING INFORMATION FROM LIDAR SURVEY.
- VERTICAL DATUM IS NAVD88 IN FEET.
- ONLY CONDUCTOR OVER STATE LAND (MIDDLE CONDUCTOR) SHOWN FOR CLARITY. TOP AND BOTTOM CONDUCTOR ARE OUTSIDE STATE OWNED LAND.
- PARCEL INFORMATION PROVIDED BY NH GRANIT.

0	SUBMIT TO PUC	LEIDOS	09/30/21	GEB	DWV	APS
DWG REV	EPN/DESCRIPTION	CONT/PE#	DATE	DRN	CHKD	APPR

EVERSOURCE ENERGY

LINE A152 115KV TRANSMISSION
STATE-OWNED LAND CROSSING
KEENE, NH
EXHIBIT #5

SCALE AS SHOWN	FILE: A15243903.DWG IMAGE:	DRAWING NO. A15243903
-------------------	-------------------------------	---------------------------------



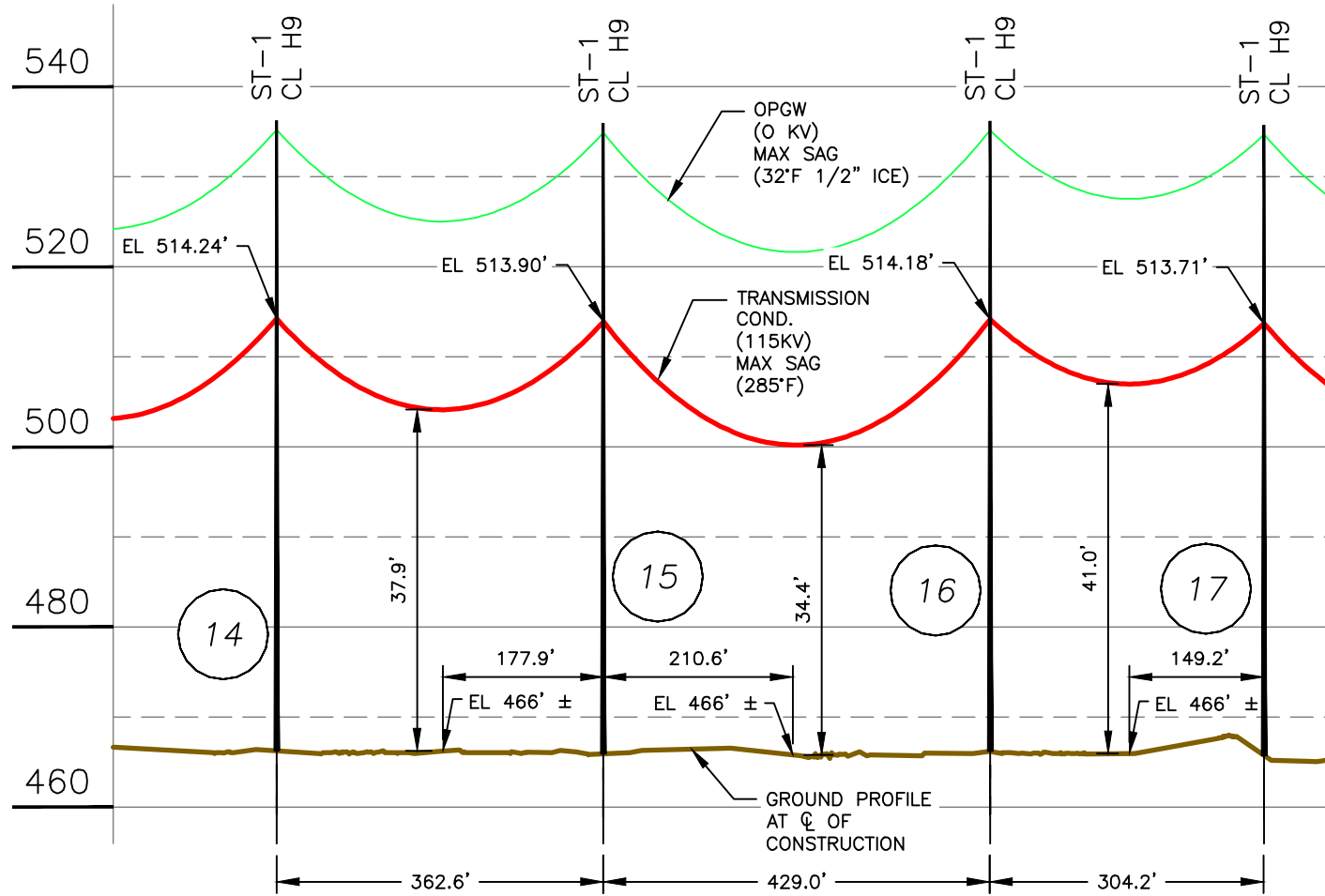
PLAN LEGEND:

- STRUCTURE
- C/L A152 - MIDDLE OF STRUCTURE
- PARCEL LINE
- ROW
- EVERSOURCE FEE
- STATE LAND

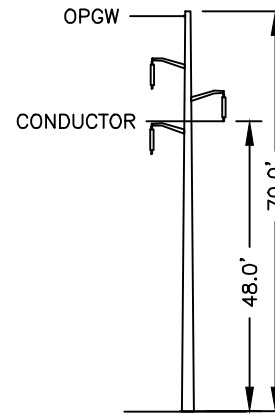
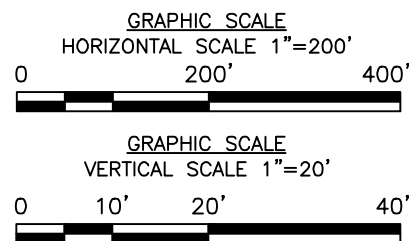


PLAN VIEW

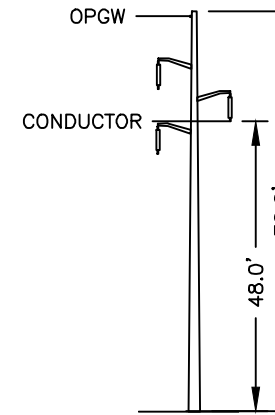
SCALE: 1"=200'



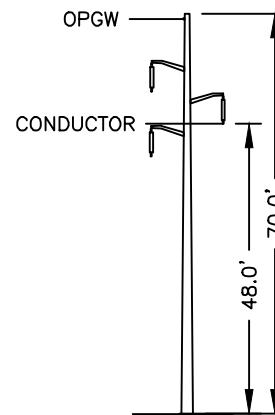
PROFILE VIEW



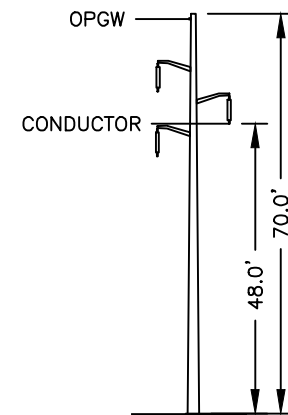
STRUCTURE 14
TYPE ST-1
STR 14: IS AN EVERSOURCE TYPE ST-1, SINGLE CIRCUIT STEEL POLE TANGENT, DELTA CONFIGURATION



STRUCTURE 15
TYPE ST-1
STR 15: IS AN EVERSOURCE TYPE ST-1, SINGLE CIRCUIT STEEL POLE TANGENT, DELTA CONFIGURATION



STRUCTURE 16
TYPE ST-1
STR 16: IS AN EVERSOURCE TYPE ST-1, SINGLE CIRCUIT STEEL POLE TANGENT, DELTA CONFIGURATION



STRUCTURE 17
TYPE ST-1
STR 17: IS AN EVERSOURCE TYPE ST-1, SINGLE CIRCUIT STEEL POLE TANGENT, DELTA CONFIGURATION

STRUCTURE DETAIL

SCALE: NTS

0	SUBMIT TO PUC	LEIDOS	09/30/21	GEB	DWW	APS
DWG REV	EPN/DESCRIPTION	CONT/PE#	DATE	DRN	CHKD	APPR

STRUCTURE LOCATION

STRUCTURE	LONGITUDE	LATITUDE
14	-72.28484125	42.91749156
15	-72.28492002	42.91649832
16	-72.28501320	42.91532326
17	-72.28507926	42.91449025

NESC VERTICAL CLEARANCE (FT)

NATURE OF SURFACE UNDERNEATH WIRES, CONDUCTORS OR CABLES	115KV
TOP OF TRACK RAIL	28.1

CABLE SCHEDULE

WIRE	QTY OF CABLES	DESCRIPTION	DESIGN CONDITIONS			
			MAX DESIGN TENSION (LB)	TEMP (°F)	ICE (IN)	WIND (PSF)
OPGW	1	64 FIBER OPGW	4,500	0	0.5	4
TRANSMISSION COND.	3	1590 KCMIL ACSR 45/7 LAPWING	12,000	0	0.5	4

NOTES:

- GROUND ELEVATION PROFILE DETERMINED USING INFORMATION FROM LIDAR SURVEY.
- VERTICAL DATUM IS NAVD88 IN FEET.
- ONLY CONDUCTOR OVER STATE LAND (MIDDLE CONDUCTOR) SHOWN FOR CLARITY. TOP AND BOTTOM CONDUCTOR ARE OUTSIDE STATE OWNED LAND.
- PARCEL INFORMATION PROVIDED BY NH GRANIT.



LINE A152 115KV TRANSMISSION
STATE-OWNED LAND CROSSING
KEENE, NH
EXHIBIT #6

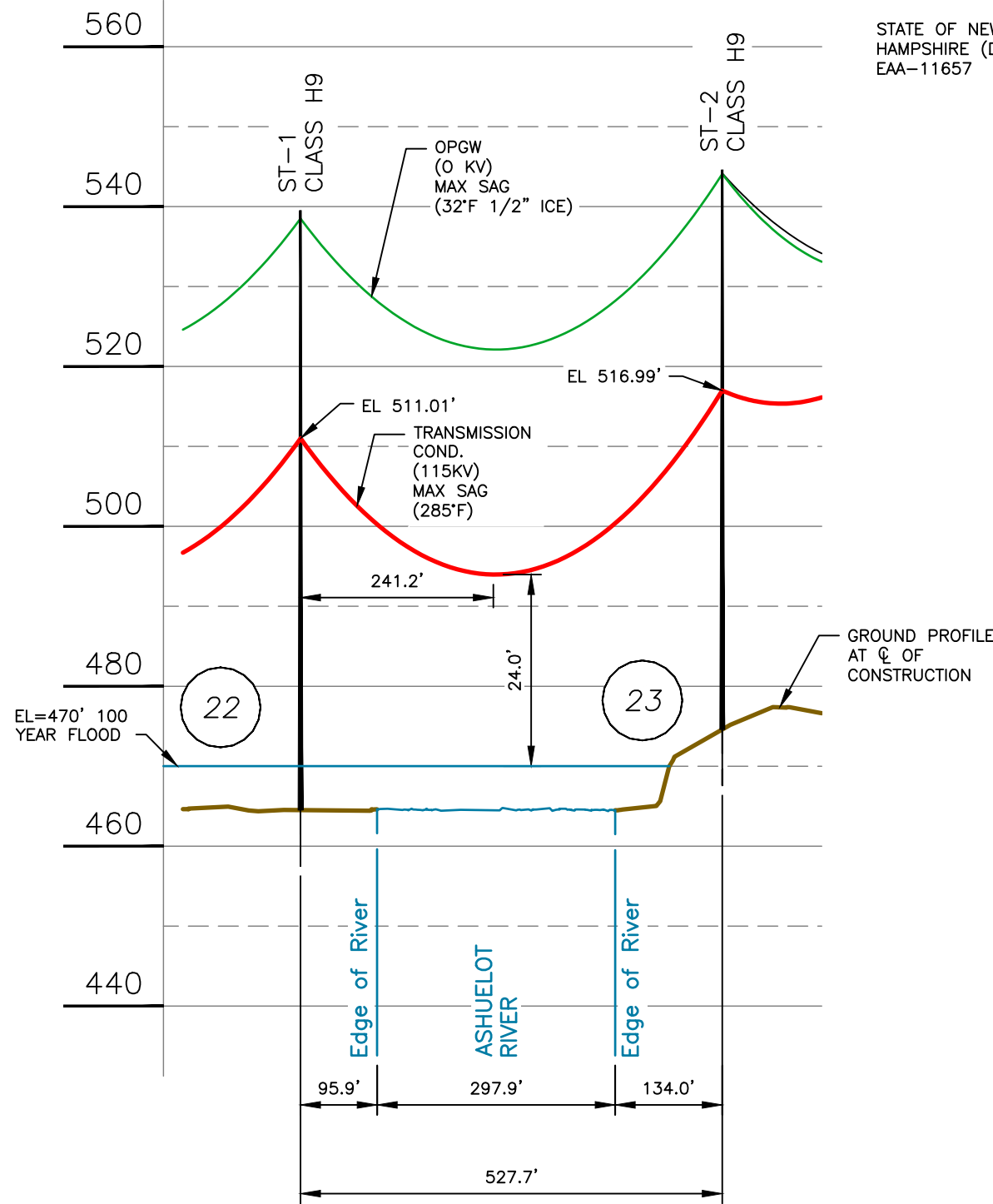
SCALE AS SHOWN

FILE: A15243904.DWG

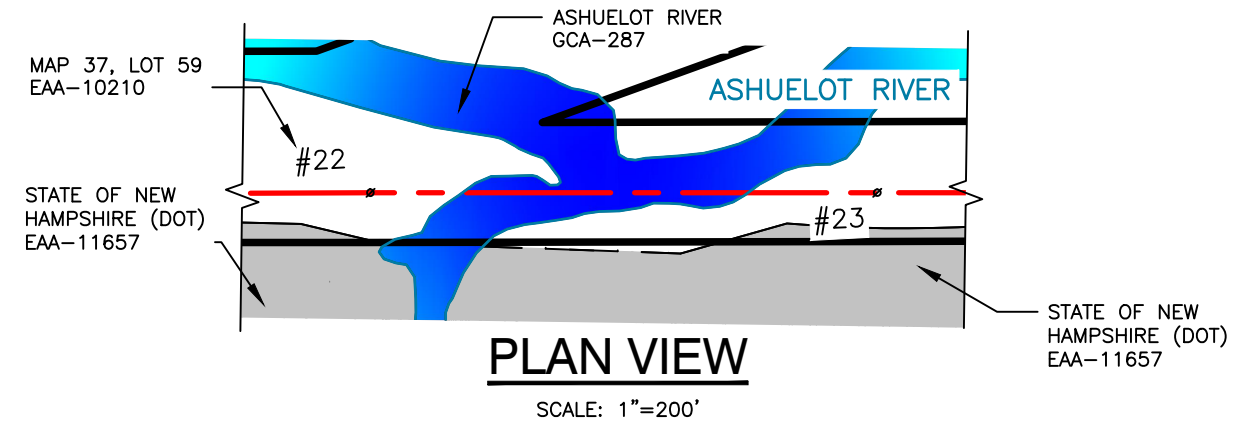
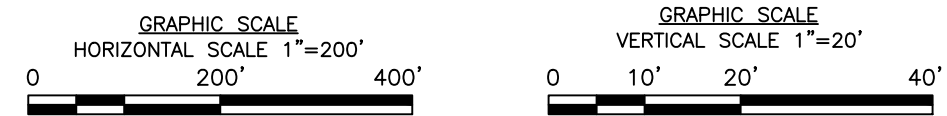
IMAGE:

DRAWING NO. A15243904

T	0
DRAWN	GEB
ENGINEER	MDM
CHECKED	DWW
APPROVED	APS
DATE	09/30/2021



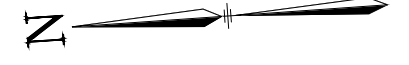
PROFILE VIEW



PLAN VIEW

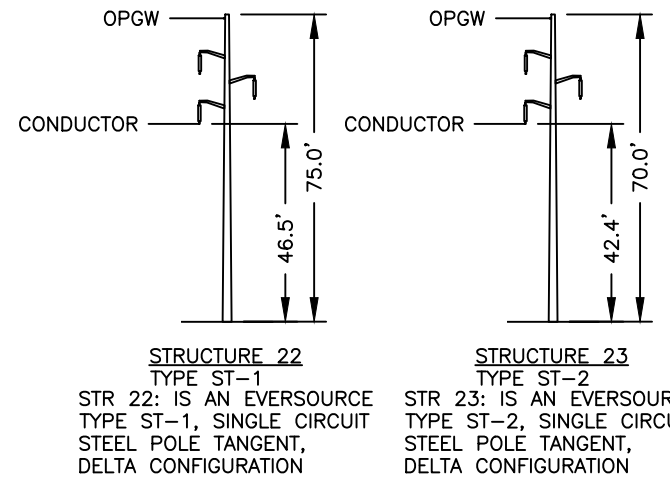
PLAN LEGEND:

- STRUCTURE
- C/L A152 - MIDDLE OF STRUCTURE
- PARCEL LINE
- ROW
- EVERSOURCE FEE
- STATE LAND



STRUCTURE LOCATION		
STRUCTURE	LONGITUDE	LATITUDE
22	-72.28546157	42.90881856
23	-72.28554884	42.90737199

NESC VERTICAL CLEARANCE (FT)	
NATURE OF SURFACE UNDERNEATH WIRES, CONDUCTORS OR CABLES	115KV
WATER AREAS NOT SUITABLE FOR SAIL BOATING OR WHERE SAIL BOATING IS PROHIBITED	18.6



STRUCTURE DETAIL

SCALE: NTS

CABLE SCHEDULE						
WIRE	QTY OF CABLES	DESCRIPTION	DESIGN CONDITIONS			
			MAX DESIGN TENSION (LB)	TEMP (°F)	ICE (IN)	WIND (PSF)
OPGW	1	64 FIBER OPGW	4,500	0	0.5	4
TRANSMISSION COND.	3	1590 KCMIL ACSR 45/7 LAPWING	42,200	0	0.5	4

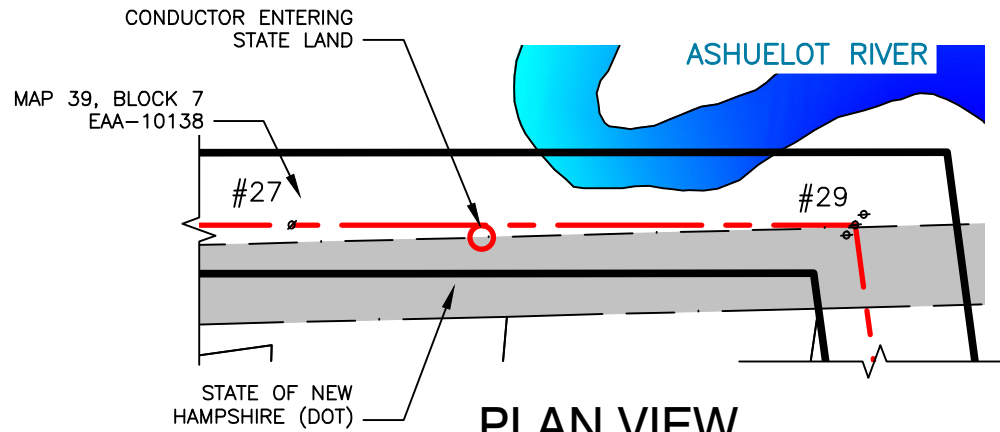
- NOTES:**
- GROUND ELEVATION PROFILE DETERMINED USING INFORMATION FROM LIDAR SURVEY.
 - VERTICAL DATUM IS NAVD88 IN FEET.
 - ONLY LOWEST CONDUCTOR SHOWN FOR CLARITY.
 - THE 100 YEAR FLOOD ELEVATION FROM THE FEMA FLOOD MAP SERVICE CENTER NATIONAL FLOOD HAZARD LAYER FIRMETTE, 5/23/2006.
 - PARCEL INFORMATION PROVIDED BY NH GRANIT.

DWG REV	DESCRIPTION	DATE	DRN	CHKD	APPR
0	SUBMIT TO PUC	LEIDOS 09/30/21	GEB	DWW	APS

EVERSOURCE ENERGY

LINE A152 115kV TRANSMISSION
ASHUELOT RIVER WATERBODY CROSSING
SWANZEY, NH
EXHIBIT #8

SCALE AS SHOWN	FILE: A15243915.DWG	DRAWING NO. A15243915
-------------------	---------------------	--------------------------



PLAN VIEW

SCALE: 1"=200'

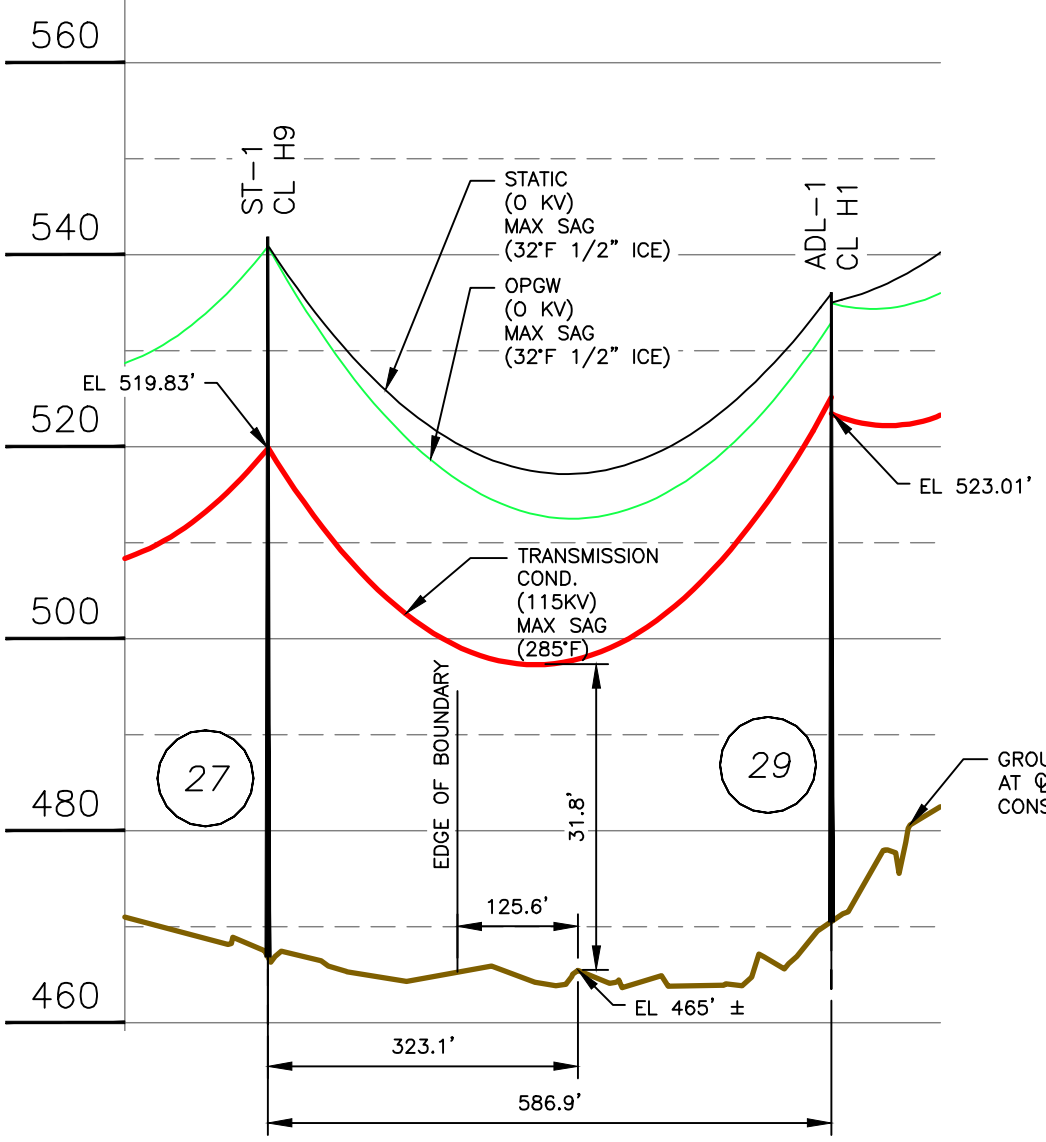
PLAN LEGEND:

- STRUCTURE
- C/L A152 - MIDDLE OF STRUCTURE
- PARCEL LINE
- ROW
- EVERSOURCE FEE
- STATE LAND
- INDICATES LOCATION CONDUCTOR CROSSES STATE LAND BOUNDARY

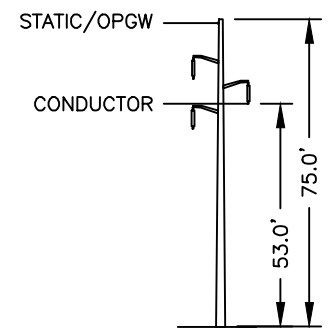


STRUCTURE LOCATION		
STRUCTURE	LONGITUDE	LATITUDE
27	-72.28496444	42.90316110
29	-72.28469327	42.90156321

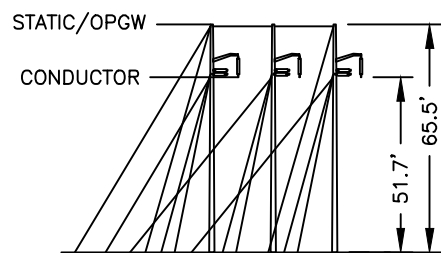
NESV VERTICAL CLEARANCE (FT)	
NATURE OF SURFACE UNDERNEATH WIRES, CONDUCTORS OR CABLES	115kV
TOP OF TRACK RAIL	28.1



PROFILE VIEW



STRUCTURE 27
TYPE ST-1
STR 27: IS AN EVERSOURCE TYPE ST-1, SINGLE CIRCUIT STEEL POLE TANGENT, DELTA CONFIGURATION



STRUCTURE 29
TYPE ADL-1
STR 29: IS AN EVERSOURCE TYPE ADL-1, SINGLE CIRCUIT STEEL 3-POLE DEADEND ANGLE, HORIZONTAL CONFIGURATION, GUYED

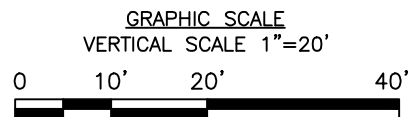
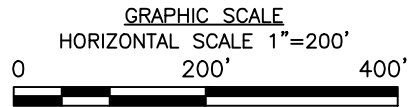
STRUCTURE DETAIL

SCALE: NTS

CABLE SCHEDULE						
WIRE	QTY OF CABLES	DESCRIPTION	DESIGN CONDITIONS			
			MAX DESIGN TENSION (LB)	TEMP (°F)	ICE (IN)	WIND (PSF)
STATIC	1	7#8 ALUMOWELD	2,700	0	0.5	4
OPGW	1	64 FIBER OPGW	4,000	0	0.5	4
TRANSMISSION COND.	3	1590 KCMIL ACSR 45/7 LAPWING	10,000	0	0.5	4

NOTES:

- GROUND ELEVATION PROFILE DETERMINED USING INFORMATION FROM LIDAR SURVEY.
- VERTICAL DATUM IS NAVD88 IN FEET.
- ONLY CONDUCTOR OVER STATE LAND (MIDDLE CONDUCTOR) SHOWN FOR CLARITY. TOP AND BOTTOM CONDUCTOR ARE OUTSIDE STATE OWNED LAND.
- PARCEL INFORMATION PROVIDED BY NH GRANIT.



DWG REV	EPN/DESCRIPTION	CONT/PE#	DATE	DRN	CHKD	APPR
0	SUBMIT TO PUC	LEIDOS	09/30/21	GEB	DWW	APS

EVERSOURCE ENERGY

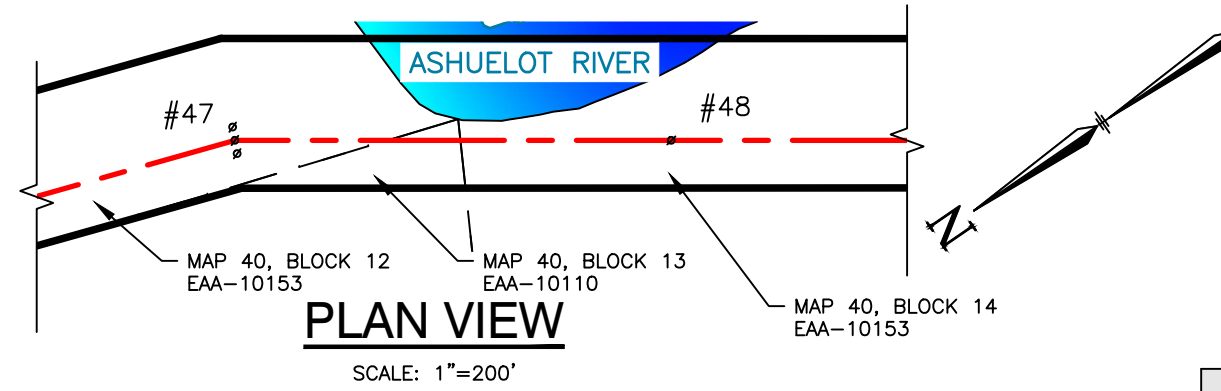
LINE A152 115kV TRANSMISSION
STATE-OWNED LAND CROSSING
SWANZEY, NH
EXHIBIT #9

SCALE AS SHOWN	FILE: A15243906.DWG IMAGE:	DRAWING NO. A15243906
-------------------	-------------------------------	---------------------------------

T	0
DRAWN GEB	
ENGINEER MDM	
CHECKED DWW	
APPROVED APS	
DATE 09/30/2021	

PLAN LEGEND:

- STRUCTURE
- C/L A152 - MIDDLE OF STRUCTURE
- PARCEL LINE
- ROW
- EVERSOURCE FEE
- STATE LAND



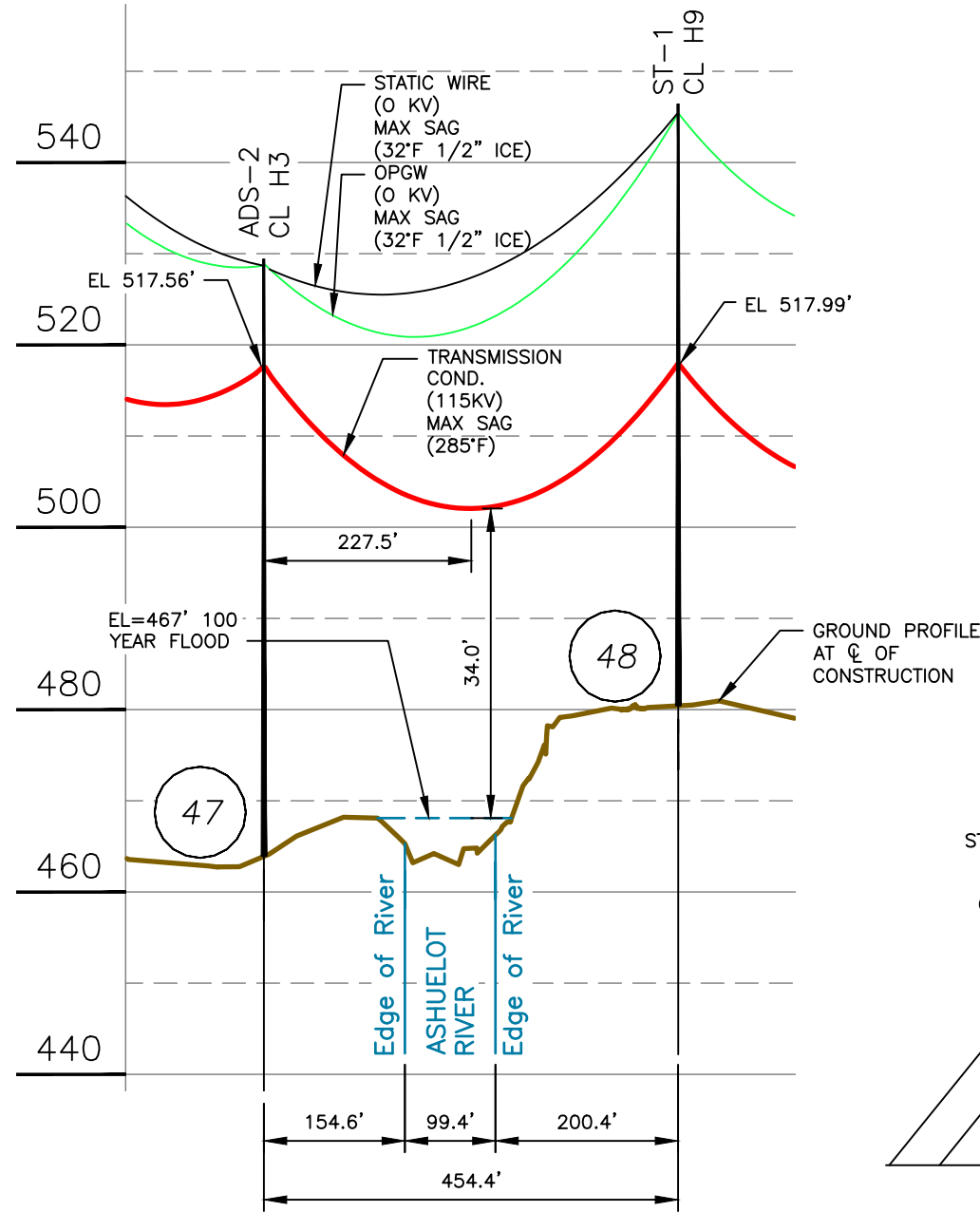
STRUCTURE LOCATION		
STRUCTURE	LONGITUDE	LATITUDE
47	-72.29435319	42.88769289
48	-72.29530241	42.88665976

NESC VERTICAL CLEARANCE (FT)	
NATURE OF SURFACE UNDERNEATH WIRES, CONDUCTORS OR CABLES	115kV
WATER AREAS NOT SUITABLE FOR SAIL BOATING OR WHERE SAIL BOATING IS PROHIBITED	18.6

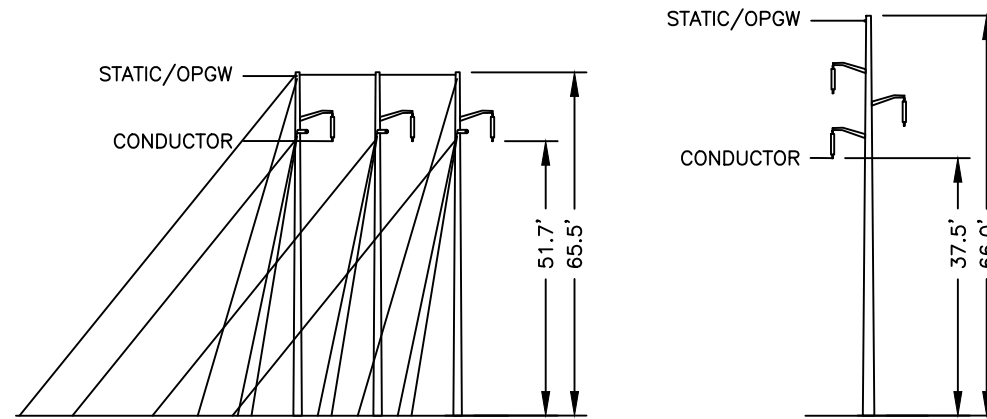
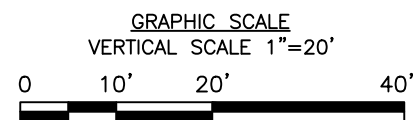
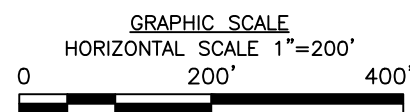
CABLE SCHEDULE						
WIRE	QTY OF CABLES	DESCRIPTION	DESIGN CONDITIONS			
			MAX DESIGN TENSION (LB)	TEMP (°F)	ICE (IN)	WIND (PSF)
STATIC	1	7#8 ALUMOWELD	3,000	0	0.5	4
OPGW	1	64 FIBER OPGW	4,500	0	0.5	4
TRANSMISSION COND.	3	1590 KCMIL ACSR 45/7 LAPWING	10,000	0	0.5	4

NOTES:

- GROUND ELEVATION PROFILE DETERMINED USING INFORMATION FROM LIDAR SURVEY.
- VERTICAL DATUM IS NAVD88 IN FEET.
- ONLY LOWEST CONDUCTOR SHOWN FOR CLARITY.
- THE 100 YEAR FLOOD ELEVATION FROM THE FEMA FLOOD MAP SERVICE CENTER NATIONAL FLOOD HAZARD LAYER FIRMETTE, 5/23/2006.
- PARCEL INFORMATION PROVIDED BY NH GRANIT.



PROFILE VIEW



STRUCTURE 47
TYPE ADS-2
STR 47: IS AN EVERSOURCE TYPE ADS-2, SINGLE CIRCUIT STEEL 3-POLE DEADEND ANGLE, HORIZONTAL CONFIGURATION, GUYED

STRUCTURE 48
TYPE ST-1
STR 48: IS AN EVERSOURCE TYPE ST-1, SINGLE CIRCUIT STEEL POLE TANGENT, DELTA CONFIGURATION, GUYED

STRUCTURE DETAIL

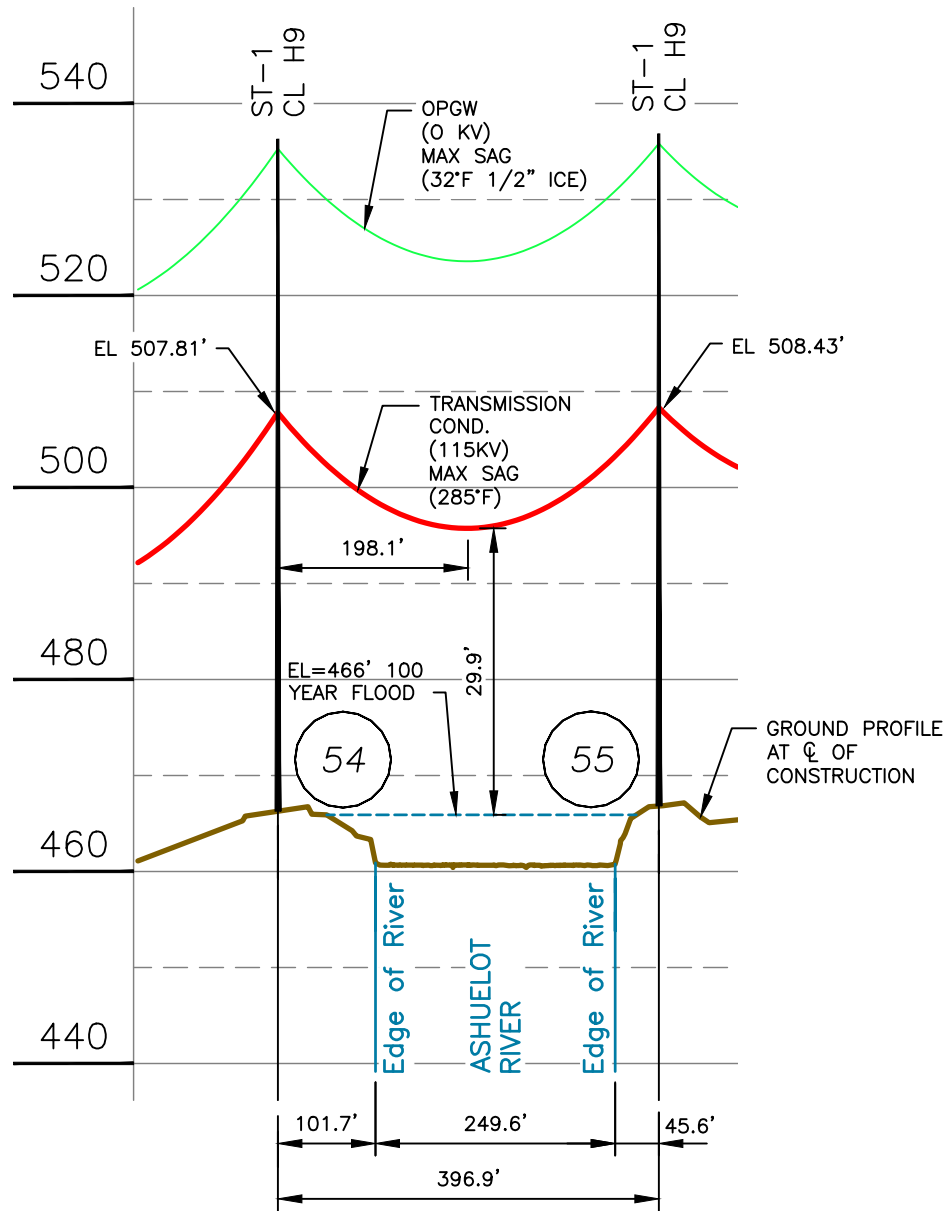
SCALE: NTS

DWG REV	EPN/DESCRIPTION	CONT/PE#	DATE	DRN	CHKD	APPR
0	SUBMIT TO PUC	LEIDOS	09/30/21	GEB	DWW	APS

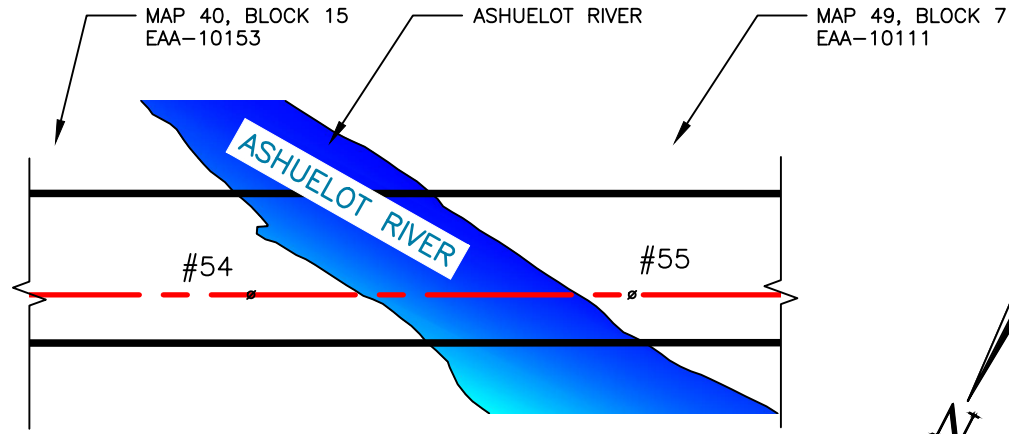
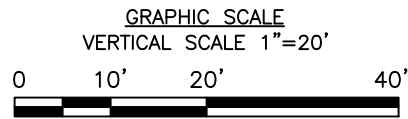
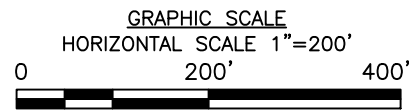
EVERSOURCE ENERGY

LINE A152 115kV TRANSMISSION
ASHUELOT RIVER WATERBODY CROSSING
SWANZEY, NH
EXHIBIT #11

SCALE AS SHOWN	FILE: A15243908.DWG	DRAWING NO. A15243908
-------------------	---------------------	---------------------------------



PROFILE VIEW



PLAN VIEW

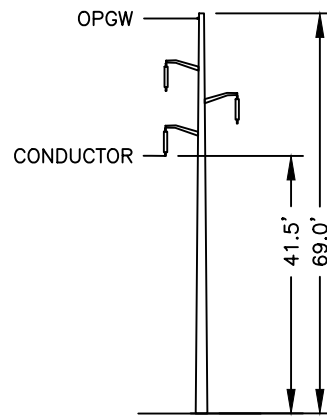
SCALE: 1"=200'

PLAN LEGEND:

- STRUCTURE
- C/L A152 - MIDDLE OF STRUCTURE
- PARCEL LINE
- ROW
- EVERSOURCE FEE
- STATE LAND

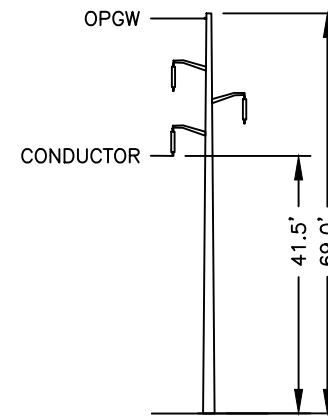
STRUCTURE LOCATION		
STRUCTURE	LONGITUDE	LATITUDE
54	-72.30084798	42.88156931
55	-72.30216051	42.88106533

NEC VERTICAL CLEARANCE (FT)	
NATURE OF SURFACE UNDERNEATH WIRES, CONDUCTORS OR CABLES	115kV
WATER AREAS NOT SUITABLE FOR SAIL BOATING OR WHERE SAIL BOATING IS PROHIBITED	18.6



STRUCTURE 54
TYPE ST-1

STR 54: IS AN EVERSOURCE TYPE ST-1, SINGLE CIRCUIT STEEL POLE TANGENT, DELTA CONFIGURATION.



STRUCTURE 55
TYPE ST-1

STR 55: IS AN EVERSOURCE TYPE ST-1, SINGLE CIRCUIT STEEL POLE TANGENT, DELTA CONFIGURATION.

STRUCTURE DETAIL

SCALE: NTS

CABLE SCHEDULE						
WIRE	QTY OF CABLES	DESCRIPTION	DESIGN CONDITIONS			
			MAX DESIGN TENSION (LB)	TEMP (°F)	ICE (IN)	WIND (PSF)
OPGW	1	64 FIBER OPGW	4,500	0	0.5	4
TRANSMISSION COND.	3	1590 KCML ACSR 45/7 LAPWING	10,000	0	0.5	4

NOTES:

- GROUND ELEVATION PROFILE DETERMINED USING INFORMATION FROM LIDAR SURVEY.
- VERTICAL DATUM IS NAVD88 IN FEET.
- ONLY LOWEST CONDUCTOR SHOWN FOR CLARITY.
- THE 100 YEAR FLOOD ELEVATION FROM THE FEMA FLOOD MAP SERVICE CENTER NATIONAL FLOOD HAZARD LAYER FIRMETTE, 5/23/2006.
- PARCEL INFORMATION PROVIDED BY NH GRANIT.

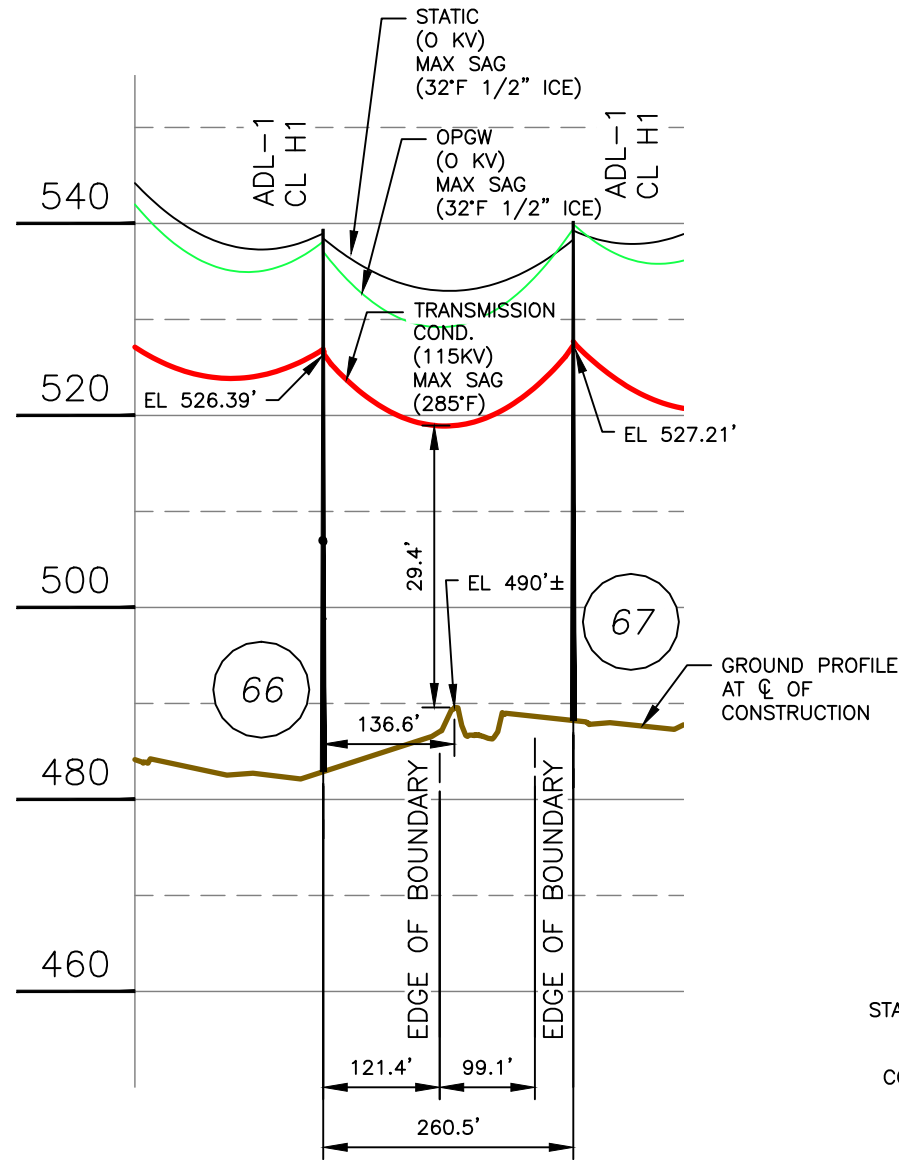


LINE A152 115kV TRANSMISSION
ASHUELOT RIVER WATERBODY CROSSING
SWANZEY, NH
EXHIBIT #12

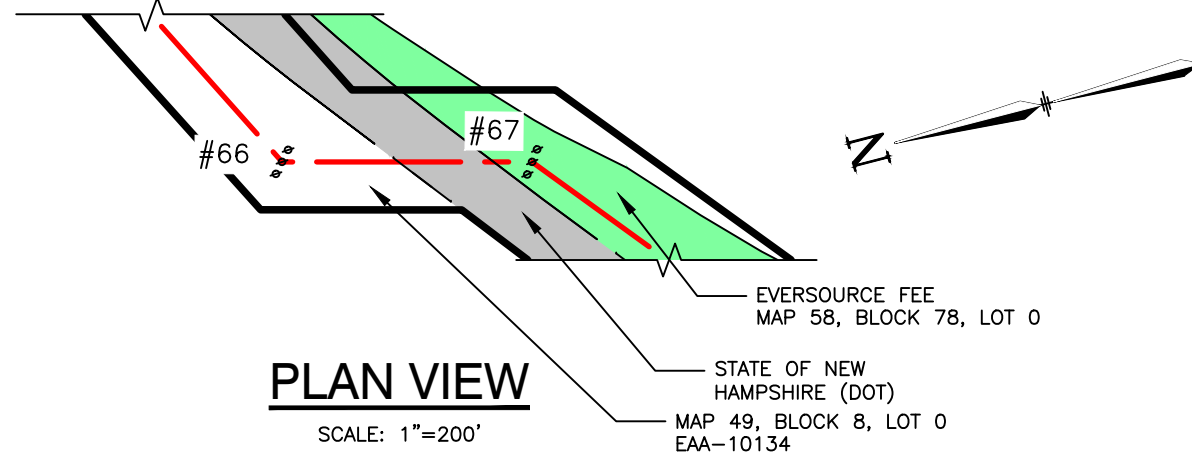
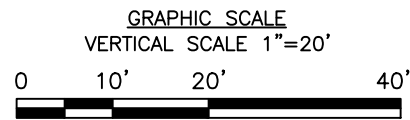
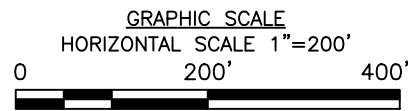
T	0
DRAWN	GEB
ENGINEER	RSN
CHECKED	DWW
APPROVED	APS
DATE	09/30/2021

DWG REV	EPN/DESCRIPTION	CONT/PE#	DATE	DRN	CHKD	APPR
0	SUBMIT TO PUC	LEIDOS	09/30/21	GEB	DWW	APS

SCALE	AS SHOWN	FILE: A15243909.DWG	DRAWING NO.	A15243909
-------	----------	---------------------	-------------	-----------



PROFILE VIEW



PLAN VIEW

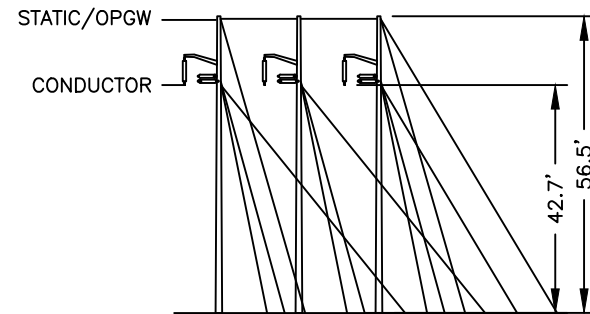
SCALE: 1"=200'

PLAN LEGEND:

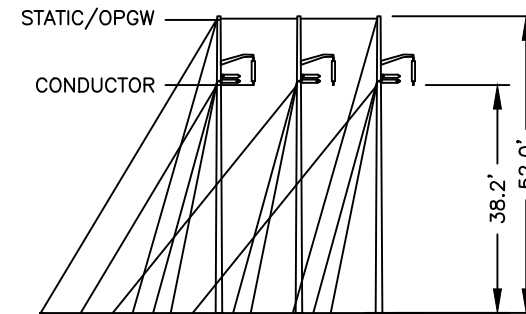
- STRUCTURE
- C/L A152 - MIDDLE OF STRUCTURE
- PARCEL LINE
- ROW
- EVERSOURCE FEE
- STATE LAND

STRUCTURE LOCATION		
STRUCTURE	LONGITUDE	LATITUDE
66	-72.31472856	42.87623827
67	-72.31496532	42.87554492

NESC VERTICAL CLEARANCE (FT)	
NATURE OF SURFACE UNDERNEATH WIRES, CONDUCTORS OR CABLES	115KV
TOP OF TRACK RAIL	28.1



STRUCTURE 66
TYPE ADL-1
STR 66: IS AN EVERSOURCE TYPE ADL-1, SINGLE CIRCUIT STEEL 3-POLE DEADEND ANGLE, HORIZONTAL CONFIGURATION, GUYED



STRUCTURE 67
TYPE ADL-1
STR 67: IS AN EVERSOURCE TYPE ADL-1, SINGLE CIRCUIT STEEL 3-POLE DEADEND ANGLE, HORIZONTAL CONFIGURATION, GUYED

STRUCTURE DETAIL

SCALE: NTS

CABLE SCHEDULE						
WIRE	QTY OF CABLES	DESCRIPTION	DESIGN CONDITIONS			
			MAX DESIGN TENSION (LB)	TEMP (°F)	ICE (IN)	WIND (PSF)
STATIC	1	7#8 ALUMOWELD	2,500	0	0.5	4
OPGW	1	64 FIBER OPGW	4,000	0	0.5	4
TRANSMISSION COND.	3	1590 KCMIL ACSR 45/7 LAPWING	8,000	0	0.5	4

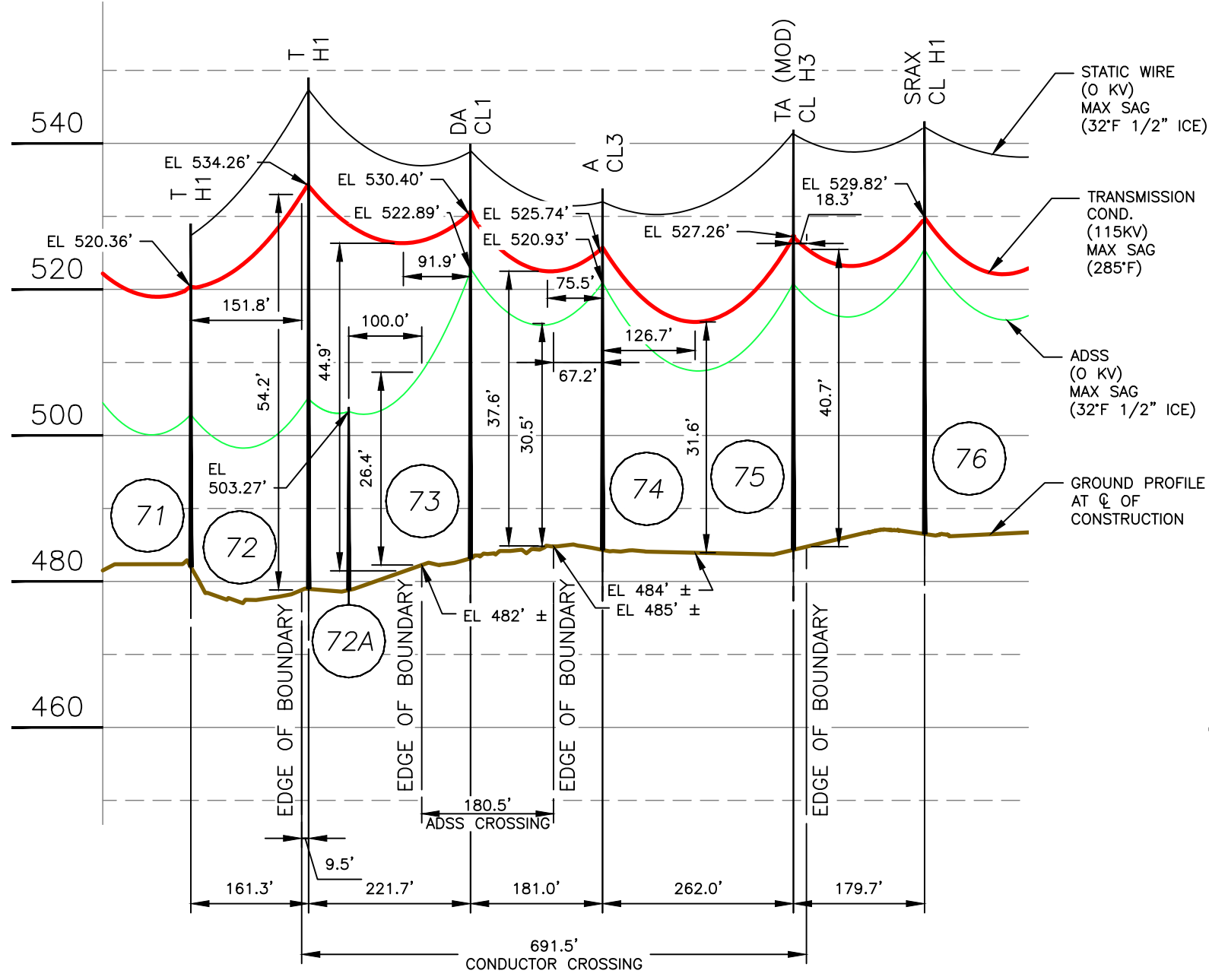
NOTES:

- GROUND ELEVATION PROFILE DETERMINED USING INFORMATION FROM LIDAR SURVEY.
- VERTICAL DATUM IS NAVD88 IN FEET.
- ONLY LOWEST CONDUCTOR SHOWN FOR CLARITY.
- PARCEL INFORMATION PROVIDED BY NH GRANIT.

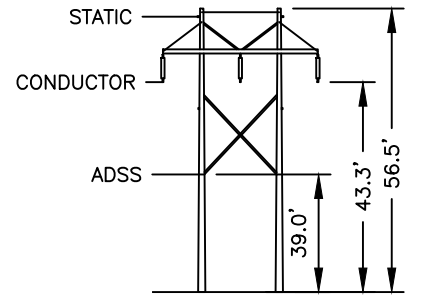
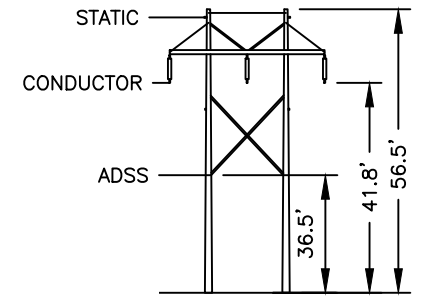
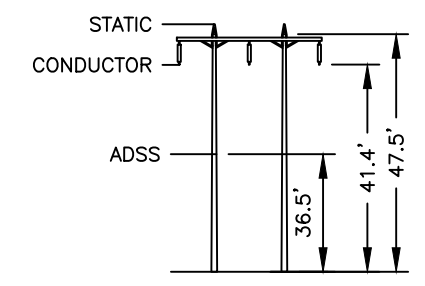
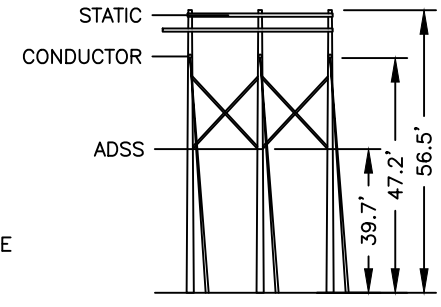
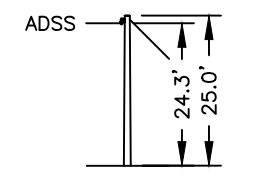
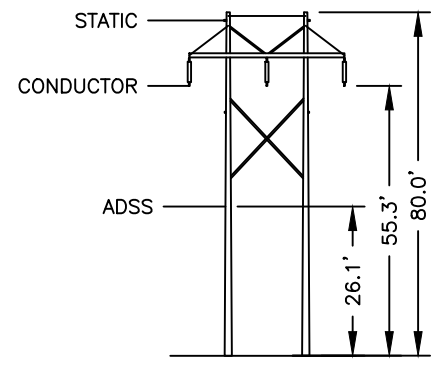
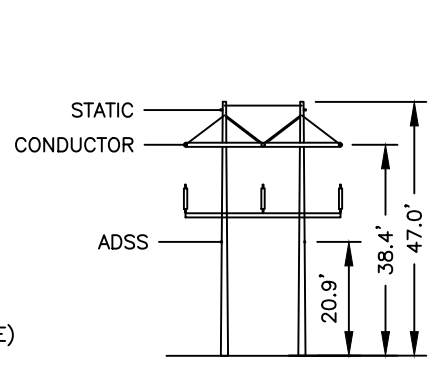
DWG REV	0	SUBMIT TO PUC	LEIDOS	09/30/21	GEB	DWW	APS

LINE A152 115kV TRANSMISSION
STATE-OWNED LAND CROSSING
SWANZEY, NH
EXHIBIT #13

SCALE AS SHOWN	FILE: A15243910.DWG	DRAWING NO. A15243910
-------------------	---------------------	--------------------------



PROFILE VIEW



STRUCTURE DETAIL

SCALE: NTS

NOTES:

1. GROUND ELEVATION PROFILE DETERMINED USING INFORMATION FROM LIDAR SURVEY.
2. VERTICAL DATUM IS NAVD88 IN FEET.
3. ONLY LOWEST CONDUCTOR AND STATIC SHOWN FOR CLARITY.
4. PARCEL INFORMATION PROVIDED BY NH GRANIT.
5. ADSS CROSSES INTO STATE LAND BETWEEN STRUCTURES 72-73 AND CROSSES OUT OF STATE LAND BETWEEN STRUCTURES 73-74.

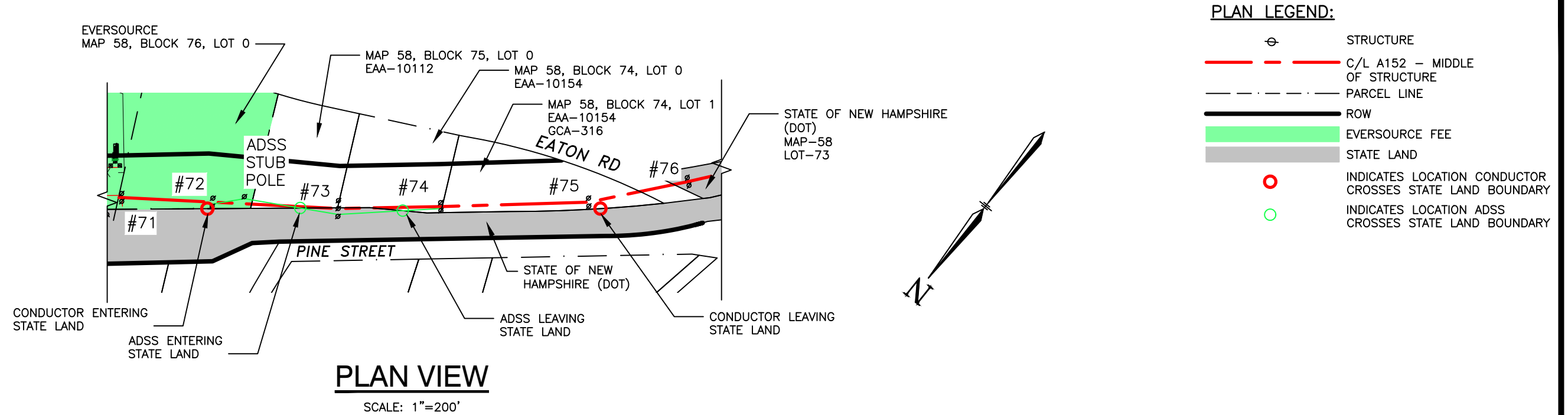
0	SUBMIT TO PUC	LEIDOS	09/30/21	GEB	DWW	APS
DWG REV	EPN/DESCRIPTION	CONT/PE#	DATE	DRN	CHKD	APPR

EVERSOURCE ENERGY

LINE A152 115kV TRANSMISSION
STATE-OWNED LAND CROSSING
SWANZEY, NH
EXHIBIT #14

T	0
DRAWN	GEB
ENGINEER	MDM
CHECKED	DWW
APPROVED	APS
DATE	09/30/2021

SCALE: AS SHOWN
FILE: A15243911.DWG
DRAWING NO: A15243911



CABLE SCHEDULE						
WIRE	QTY OF CABLES	DESCRIPTION	DESIGN CONDITIONS			
			MAX DESIGN TENSION (LB)	TEMP (°F)	ICE (IN)	WIND (PSF)
ADSS	1	ADSS	1,000	0	0.5	4
STATIC	1	7#8 ALUMOWELD	2,000	0	0.5	4
TRANSMISSION COND.	3	1590 KCMIL ACSR 45/7 LAPWING	12,000	0	0.5	4

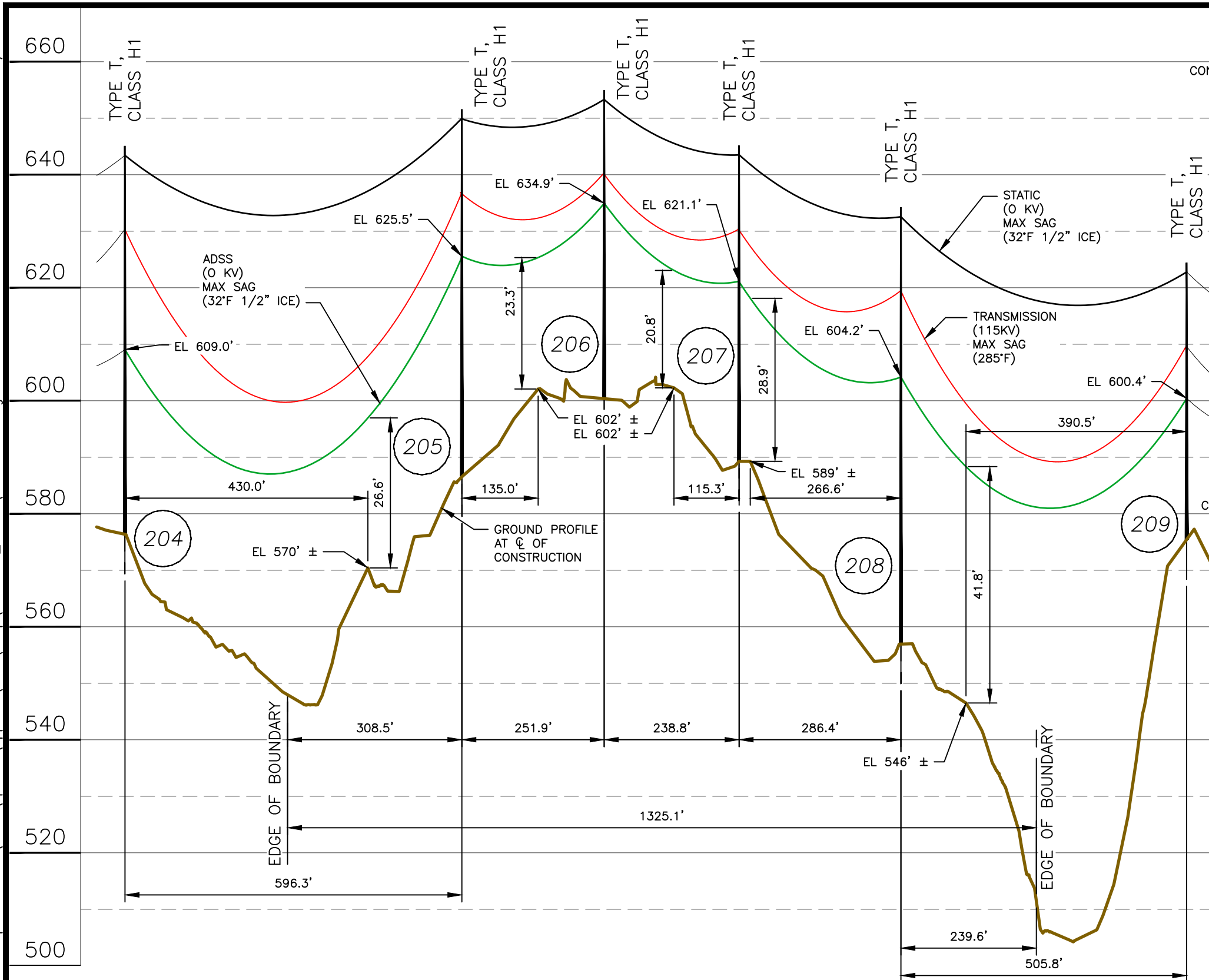
STRUCTURE LOCATION		
STRUCTURE	LONGITUDE	LATITUDE
71	-72.31819793	42.87355346
72	-72.31868221	42.87329477
72A	-72.31882284	42.87317744
73	-72.31935186	42.87293660
74	-72.31986886	42.87261736
75	-72.32060719	42.87215107
76	-72.32103139	42.87177112

NESC VERTICAL CLEARANCE (FT)		
NATURE OF SURFACE UNDERNEATH WIRES, CONDUCTORS OR CABLES	115kV	NEUTRAL /ADSS
TOP OF TRACK RAIL	28.1	23.5

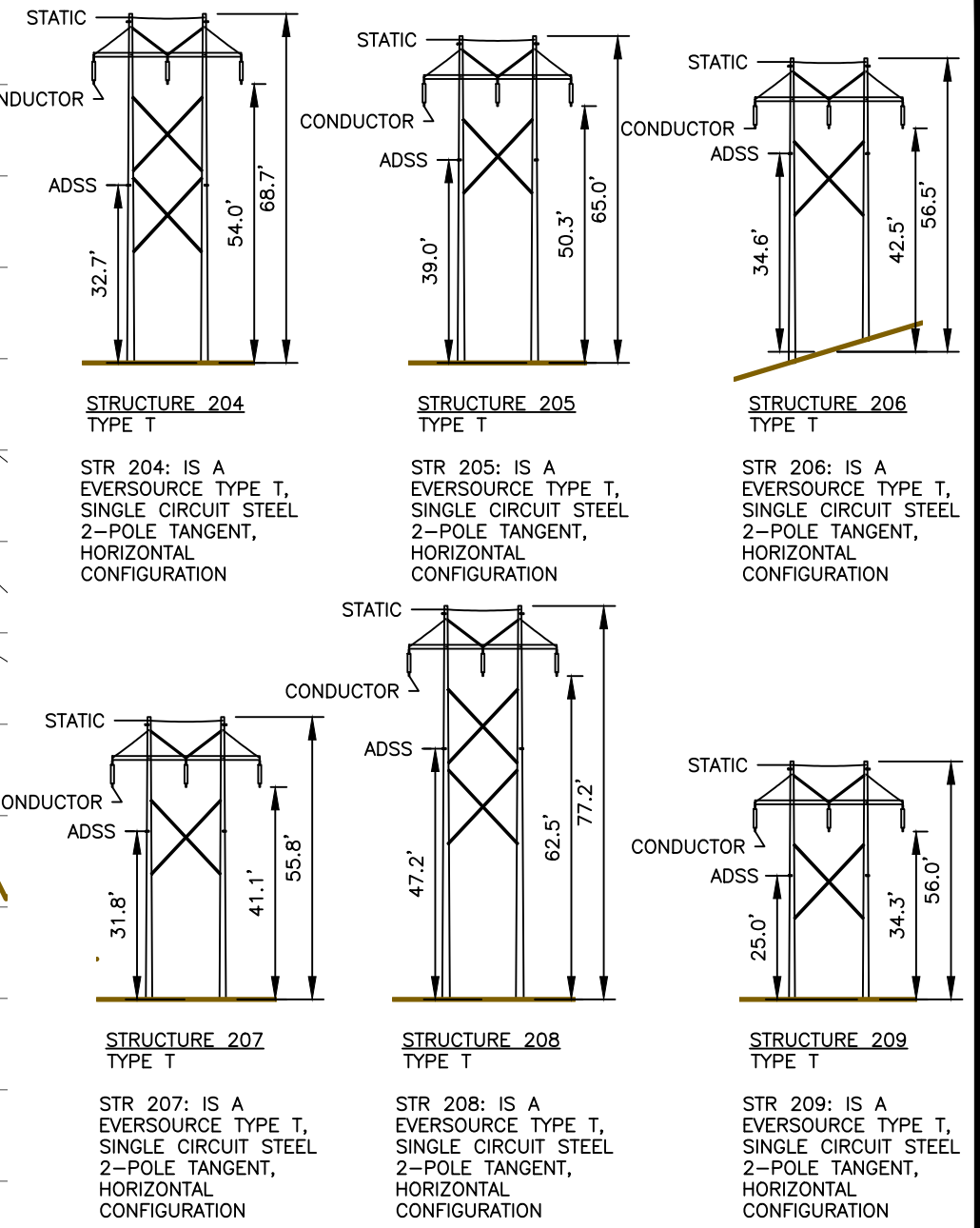
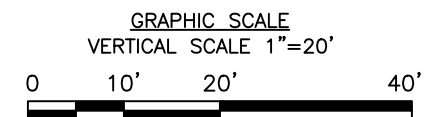
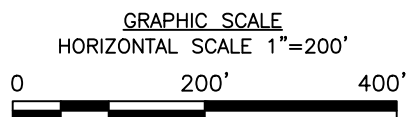
NOTES:

- GROUND ELEVATION PROFILE DETERMINED USING INFORMATION FROM LIDAR SURVEY.
- VERTICAL DATUM IS NAVD88 IN FEET.
- ONLY LOWEST CONDUCTOR AND STATIC SHOWN FOR CLARITY.
- PARCEL INFORMATION PROVIDED BY NH GRANIT.
- ADSS CROSSES INTO STATE LAND BETWEEN STRUCTURES 72-73 AND CROSSES OUT OF STATE LAND BETWEEN STRUCTURES 73-74.

		T	0
		DRAWN GEB	ENGINEER MDM
LINE A152 115kV TRANSMISSION STATE-OWNED LAND CROSSING SWANZEY, NH EXHIBIT #15		CHECKED DWW	APPROVED APS
		DATE 09/30/2021	
		DRAWING NO. A15243911	
SCALE AS SHOWN FILE: A15243911.DWG IMAGE:		DWG REV: 0 SUBMIT TO PUC: LEIDOS 09/30/21 GEB DWW APS CONT/PE# DATE DRN CHKD APPR	



PROFILE VIEW

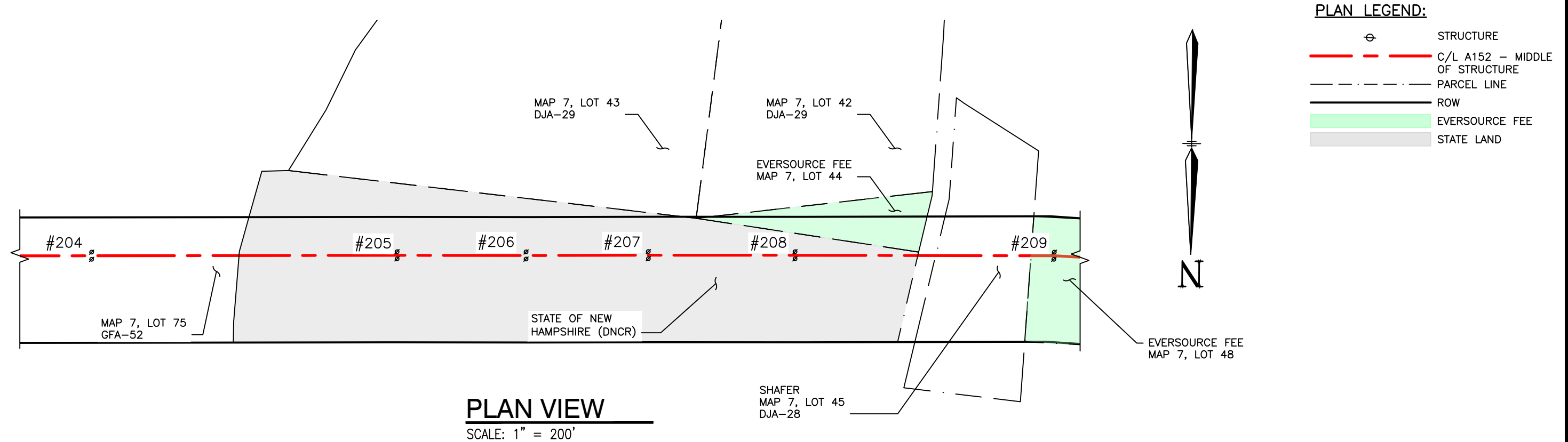


STRUCTURE DETAIL

- SCALE: NTS
- NOTES:
1. VERTICAL DATUM IS NAVD88 IN FEET.
 2. ONLY LOWEST CONDUCTOR AND STATIC/OPGW SHOWN FOR CLARITY.
 3. PARCEL INFORMATION PROVIDED BY NH GRANIT.

EVERSOURCE ENERGY		T	O
		DRAWN	GBS
A152, 115kV LINE STATE-OWNED LAND CROSSING WINCHESTER, NH EXHIBIT #16		ENGINEER	RSN
		CHECKED	DWW
SCALE AS SHOWN		APPROVED	APS
		DATE	09/30/2021
DRAWING NO. A15243912		FILE: A15243912.DWG	

DWG REV	SUBMIT TO PUC	LEIDOS	09/30/21	GEB	DWW	APS



STRUCTURE LOCATION		
STRUCTURE	LONGITUDE	LATITUDE
204	-72.42745546	42.79265793
205	-72.42967637	42.79262746
206	-72.43061461	42.79261671
207	-72.43150388	42.79260374
208	-72.43257061	42.79259078
209	-72.43445454	42.79256955

NESC VERTICAL CLEARANCE (FT)		
NATURE OF SURFACE UNDERNEATH WIRES, CONDUCTORS OR CABLES	NEUTRAL/ADSS	115kV
OTHER AREAS TRAVERSED BY VEHICLES SUCH AS CULTIVATED, GRAZING, FOREST, AND ORCHARD LANDS, INDUSTRIAL AREAS, COMMERCIAL AREAS, ETC.	15.5	20.1

CABLE SCHEDULE						
WIRE	QTY OF CABLES	DESCRIPTION	DESIGN CONDITIONS			
			MAX DESIGN TENSION (LB)	TEMP (°F)	ICE (IN)	WIND (PSF)
ADSS	1	ADSS	1,900	0	0.5	4
STATIC	2	7#8 ALUMOWELD	3,500	0	0.5	4
TRANSMISSION COND.	3	795 KCMIL 36/1 COOT ACSR	4,700	0	0.5	4

NOTES:

1. VERTICAL DATUM IS NAVD88 IN FEET.
2. ONLY LOWEST CONDUCTOR AND STATIC/OPGW SHOWN FOR CLARITY.
3. PARCEL INFORMATION PROVIDED BY NH GRANIT.

0	SUBMIT TO PUC	LEIDOS	09/30/21	GEB	DWW	APS
DWG REV	EPN/DESCRIPTION	CONT/PE#	DATE	DRN	CHKD	APPR

	T	O
	DRAWN	GBS
	ENGINEER	RSN
<p>A152, 115kV LINE STATE-OWNED LAND CROSSING WINCHESTER, NH EXHIBIT #17</p>	CHECKED	DWW
	APPROVED	APS
	DATE	09/30/2021
SCALE	AS SHOWN	DRAWING NO.
FILE: A15243912.DWG	IMAGE:	A15243912