

LEGEND:

- G146 LINE: - - -
- G146 STR: 185

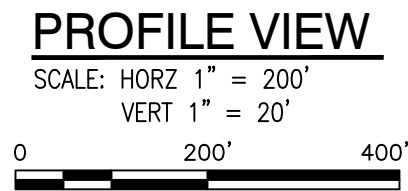
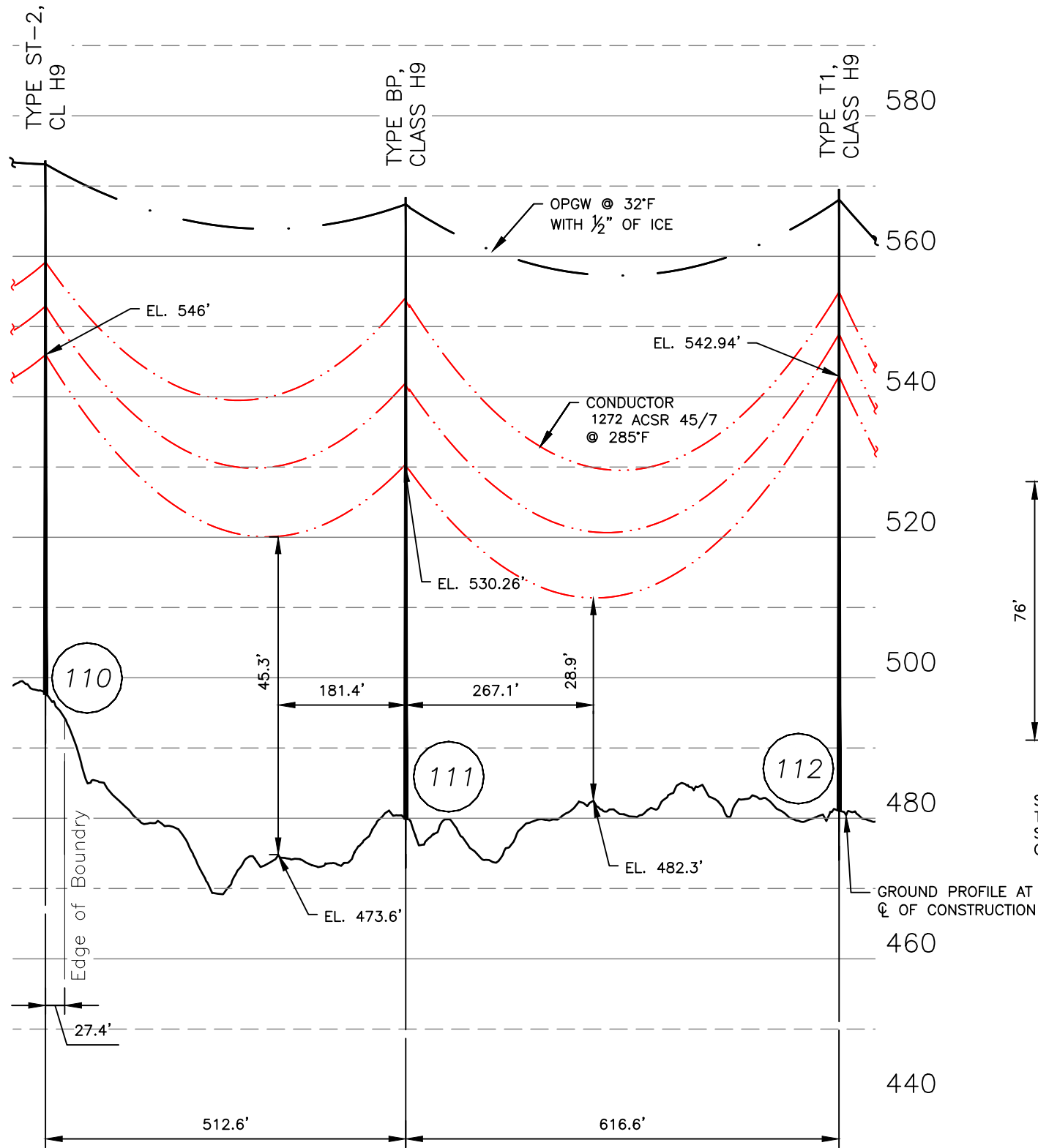


G146, 115kV LINE
STATE OWNED LAND & PUBLIC WATER CROSSING
ALLENSTOWN, PEMBROKE, CONCORD, BOW, NEW HAMPSHIRE
EXHIBIT 1

T	A
DRAWN NEB	
ENGINEER CRP	
CHECKED JJD	
APPROVED CRP	
DATE 9/15/22	

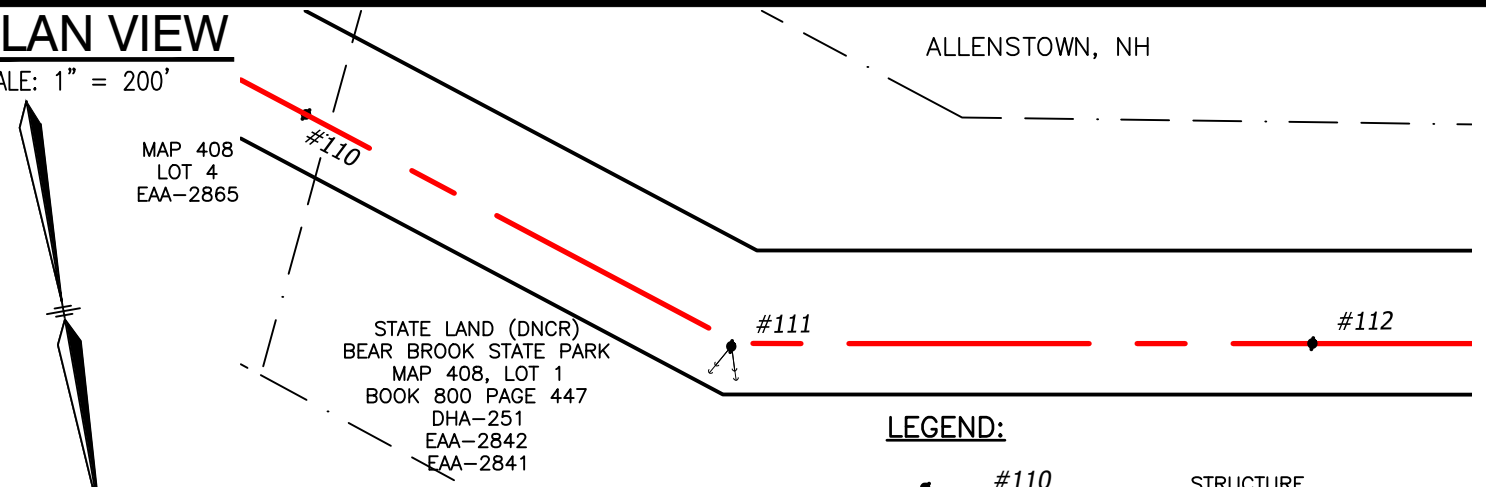
1	ISSUED TO DOE	5/22/23	NEB	JJD	CRP
DWG REV	EPN/DESCRIPTION	CONT/PE#	DATE	DRN	CHKD

SCALE 1" = 5500'	FILE: 04031-81001.DWG IMAGE:	DRAWING NO. 04031-81001
---------------------	---------------------------------	-----------------------------------



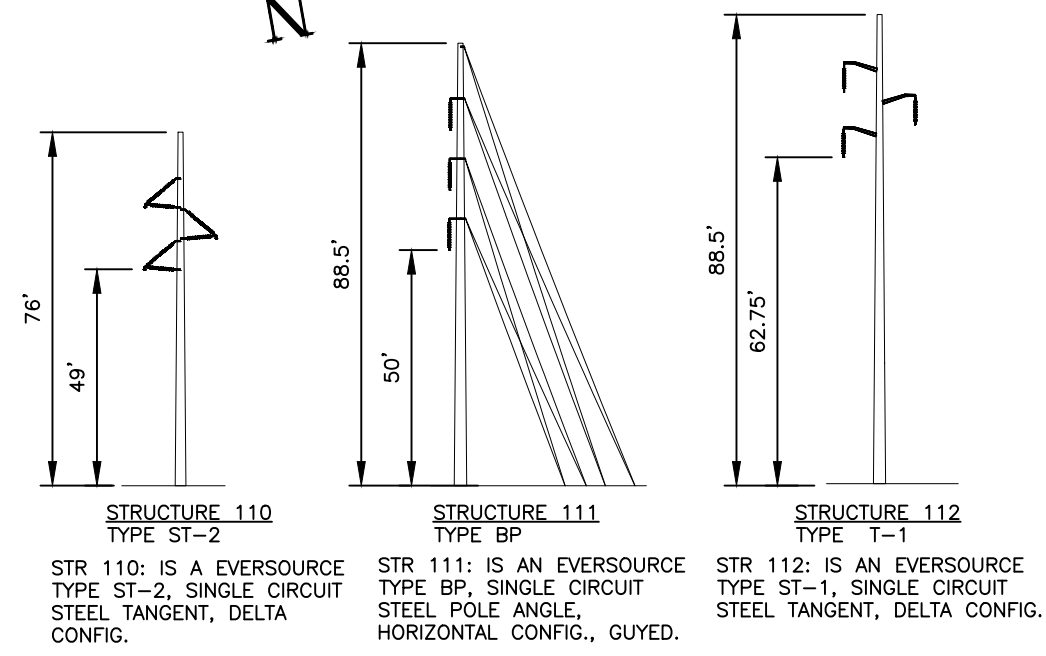
PLAN VIEW

SCALE: 1" = 200'



LEGEND:

- #110 STRUCTURE
- G146 LINE 115KV LINE, ϕ OF CONSTRUCTION
- LIMITS OF EVERSOURCE RIGHT OF WAY
- PROPERTY LINE



STRUCTURE DETAIL

SCALE: NTS

STRUCTURE LOCATION

STRUCTURE	LONGITUDE	LATITUDE
110	-71.37874564	43.17115043
111	-71.38025123	43.17202464
112	-71.38253583	43.17231987

NESC VERTICAL CLEARANCE (FT)
FROM TABLE 232.1, C2-2017

NATURE OF SURFACE UNDERNEATH WIRES, CONDUCTORS OR CABLES	115kV
OTHER AREAS TRAVERSED BY VEHICLES SUCH AS CULTIVED, GRAZING, FOREST AND ORCHARD LANDS, INDUSTRIAL SITES, COMMERCIAL SITES, ECT.	20.1

CABLE SCHEDULE

WIRE	QTY OF CABLES	DESCRIPTION	DESIGN CONDITIONS			
			MAX DESIGN TENSION (lb)	TEMP (°F)	ICE (in)	WIND (psf)
CONDUCTOR	3	ACSR, 1272 kcmil 45/7, BITTERN	10000	0	0.5	4
OPGW	1	24F #0.571" BRUGG 79AY46ACS-1C	5000	0	0.5	4

- NOTES:**
1. PARCEL INFORMATION PROVIDED BY NH GRANIT.
 2. ELEVATIONS REFERENCED TO THE NORTH AMERICAN VERTICAL DATUM OF 1988.

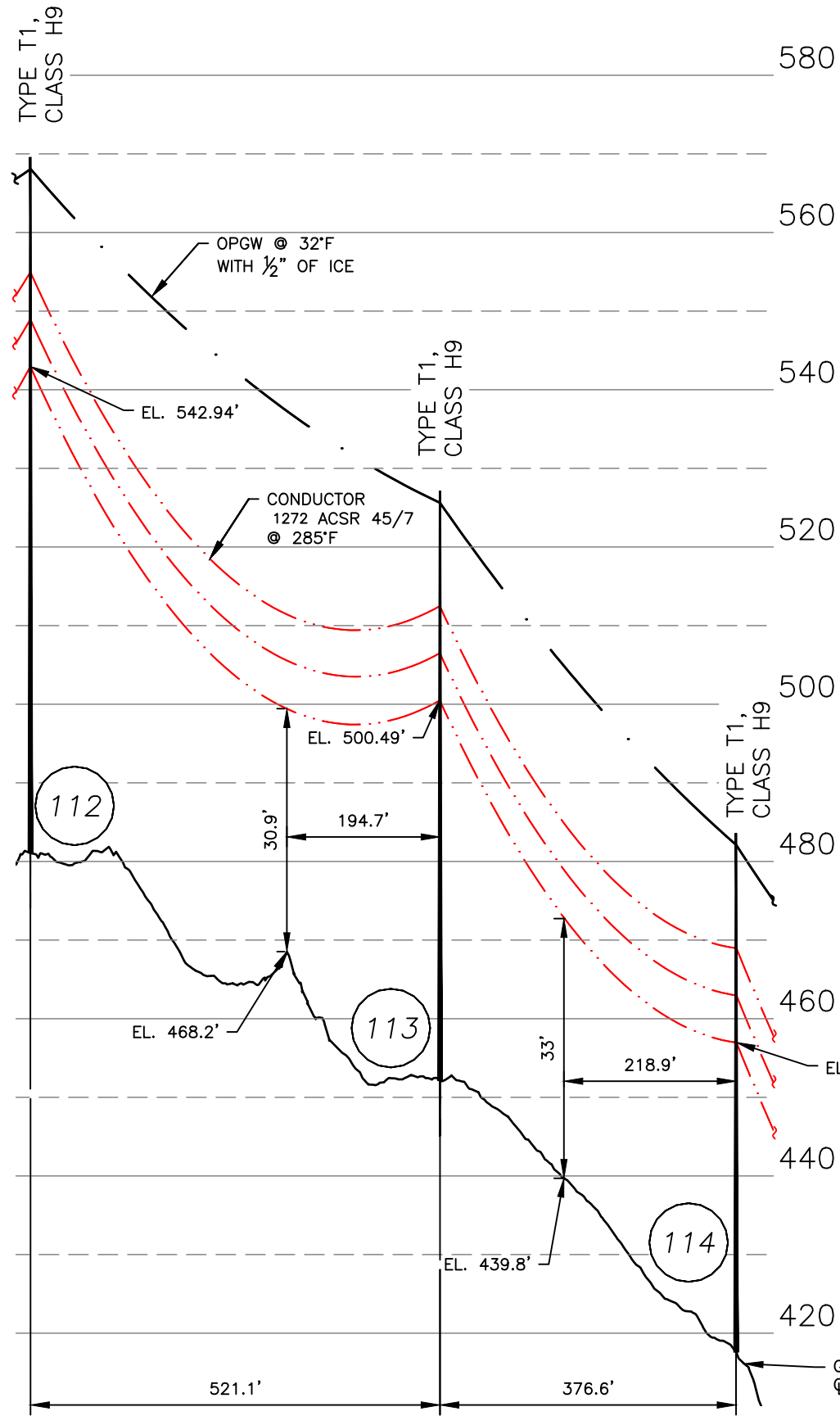
EVERSOURCE ENERGY

G146, 115kV LINE
STATE OWNED LAND CROSSING
ALLENSTOWN, NEW HAMPSHIRE
EXHIBIT 2

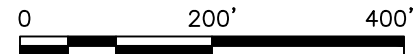
T	A
DRAWN	NEB
ENGINEER	CRP
CHECKED	JJD
APPROVED	CRP
DATE	2/7/23

SCALE AS SHOWN FILE: 04031-81001.DWG DRAWING NO. 04031-81001

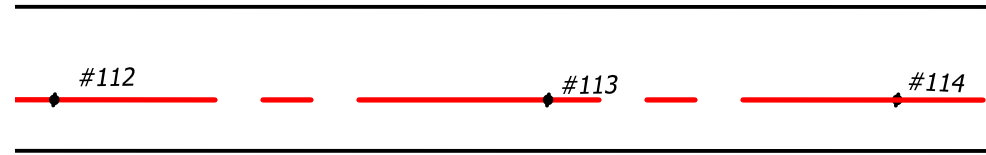
DWG REV	ISSUED TO	EPN/DESCRIPTION	CONT/PE#	DATE	DRN	CHKD	APPR
1	DOE			5/22/23	NEB	JJD	CRP



PROFILE VIEW
SCALE: HORZ 1" = 200'
VERT 1" = 20'



ALLENSTOWN, NH

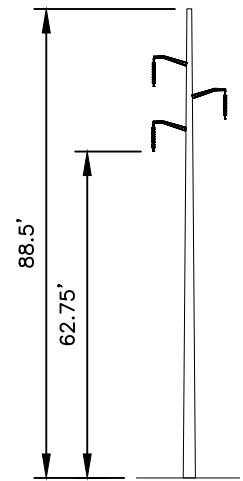


PLAN VIEW
SCALE: 1" = 200'

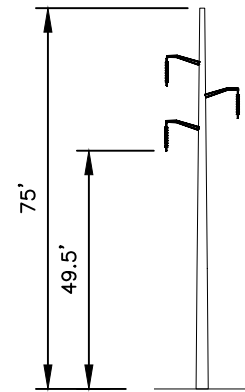
STATE LAND (DNCR)
BEAR BROOK STATE PARK
MAP 408, LOT 1
BOOK 800 PAGE 447
DHA-251
EAA-2842
EAA-2841

LEGEND:

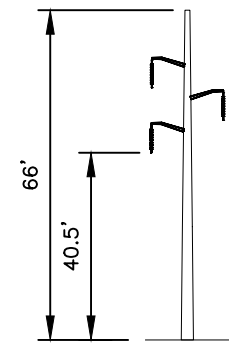
- #112 STRUCTURE
- G146 LINE 115KV LINE, ϕ OF CONSTRUCTION
- LIMITS OF EVERSOURCE RIGHT OF WAY
- PROPERTY LINE



STRUCTURE 112
TYPE T1
STR 112: IS AN EVERSOURCE TYPE T1, SINGLE CIRCUIT STEEL TANGENT, DELTA CONFIG.



STRUCTURE 113
TYPE T1
STR 113: IS AN EVERSOURCE TYPE T1, SINGLE CIRCUIT STEEL TANGENT, DELTA CONFIG.



STRUCTURE 114
TYPE T1
STR 114: IS AN EVERSOURCE TYPE T1, SINGLE CIRCUIT STEEL TANGENT, DELTA CONFIG.

STRUCTURE DETAIL
SCALE: NTS

STRUCTURE LOCATION		
STRUCTURE	LONGITUDE	LATITUDE
112	-71.38253583	43.17231987
113	-71.38445678	43.17257552
114	-71.38584669	43.17276047

NESC VERTICAL CLEARANCE (FT) FROM TABLE 232.1, C2-2017	
NATURE OF SURFACE UNDERNEATH WIRES, CONDUCTORS OR CABLES	115kV
OTHER AREAS TRAVERSED BY VEHICLES SUCH AS CULTIVED, GRAZING, FOREST AND ORCHARD LANDS, INDUSTRIAL SITES, COMMERCIAL SITES, ECT.	20.1

CABLE SCHEDULE						
WIRE	QTY OF CABLES	DESCRIPTION	DESIGN CONDITIONS			
			MAX DESIGN TENSION (lb)	TEMP (°F)	ICE (in)	WIND (psf)
CONDUCTOR	3	ACSR, 1272 kcmil 45/7, BITTERN	10000	0	0.5	4
OPGW	1	24F #0.571" BRUGG 79AY46ACS-1C	5000	0	0.5	4

NOTES:

1. PARCEL INFORMATION PROVIDED BY NH GRANIT.
2. ELEVATIONS REFERENCED TO THE NORTH AMERICAN VERTICAL DATUM OF 1988.

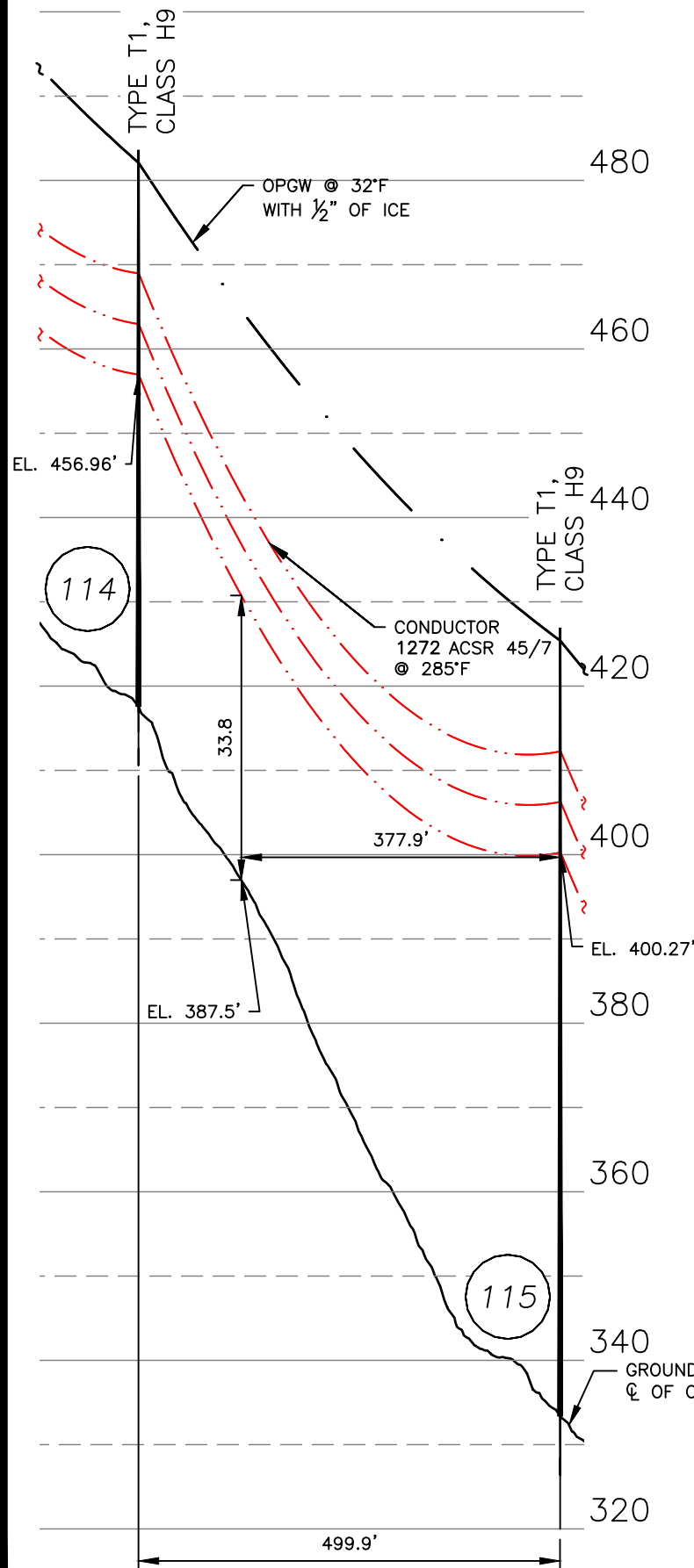
DWG REV	ISSUED TO DOE	EPN/DESCRIPTION	CONT/PE#	DATE	DRN	CHKD	APPR
1				5/22/23	NEB	JJD	CRP

EVERSOURCE ENERGY

G146, 115kV LINE
STATE OWNED LAND CROSSING
ALLENSTOWN, NEW HAMPSHIRE
EXHIBIT 3

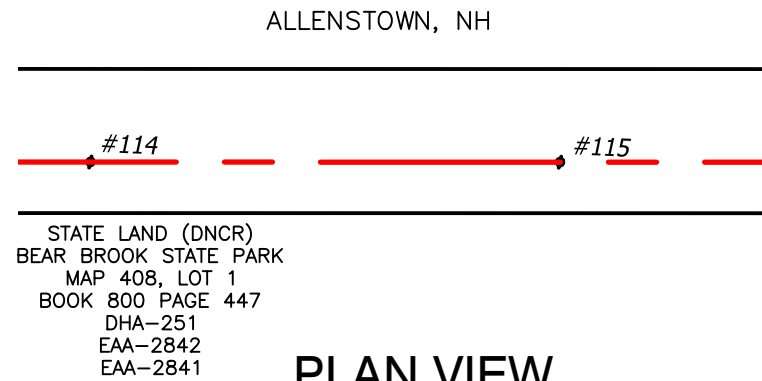
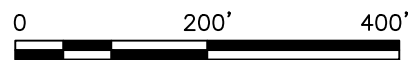
DRAWN NEB	T A
ENGINEER CRP	
CHECKED JJD	
APPROVED CRP	
DATE 2/7/23	

SCALE AS SHOWN	FILE: 04031-81001.DWG	DRAWING NO. 04031-81001
-------------------	-----------------------	----------------------------



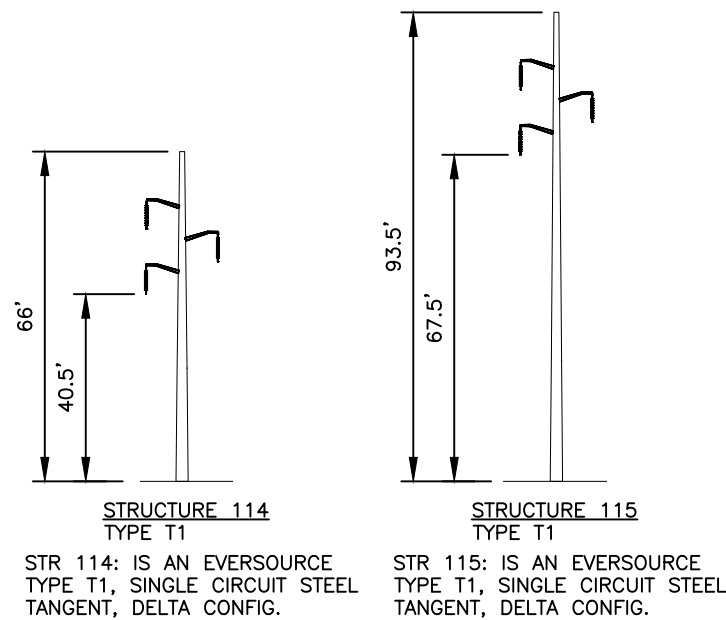
PROFILE VIEW

SCALE: HORZ 1" = 200'
VERT 1" = 20'



PLAN VIEW

SCALE: 1" = 200'



STRUCTURE DETAIL

SCALE: NTS

LEGEND:

- #114 STRUCTURE
- G146 LINE 115KV LINE, Q OF CONSTRUCTION
- LIMITS OF EVERSOURCE RIGHT OF WAY
- PROPERTY LINE

STRUCTURE LOCATION		
STRUCTURE	LONGITUDE	LATITUDE
114	-71.38584669	43.17276047
115	-71.38769035	43.17300578

NESC VERTICAL CLEARANCE (FT) FROM TABLE 232.1, C2-2017	
NATURE OF SURFACE UNDERNEATH WIRES, CONDUCTORS OR CABLES	115kV
OTHER AREAS TRAVERSED BY VEHICLES SUCH AS CULTIVED, GRAZING, FOREST AND ORCHARD LANDS, INDUSTRIAL SITES, COMMERCIAL SITES, ECT.	20.1

CABLE SCHEDULE						
WIRE	QTY OF CABLES	DESCRIPTION	DESIGN CONDITIONS			
			MAX DESIGN TENSION (lb)	TEMP (°F)	ICE (in)	WIND (psf)
CONDUCTOR	3	ACSR, 1272 kcmil 45/7, BITTERN	10000	0	0.5	4
OPGW	1	24F #0.571" BRUGG 79AY46ACS-1C	5000	0	0.5	4

NOTES:

- PARCEL INFORMATION PROVIDED BY NH GRANIT.
- ELEVATIONS REFERENCED TO THE NORTH AMERICAN VERTICAL DATUM OF 1988.

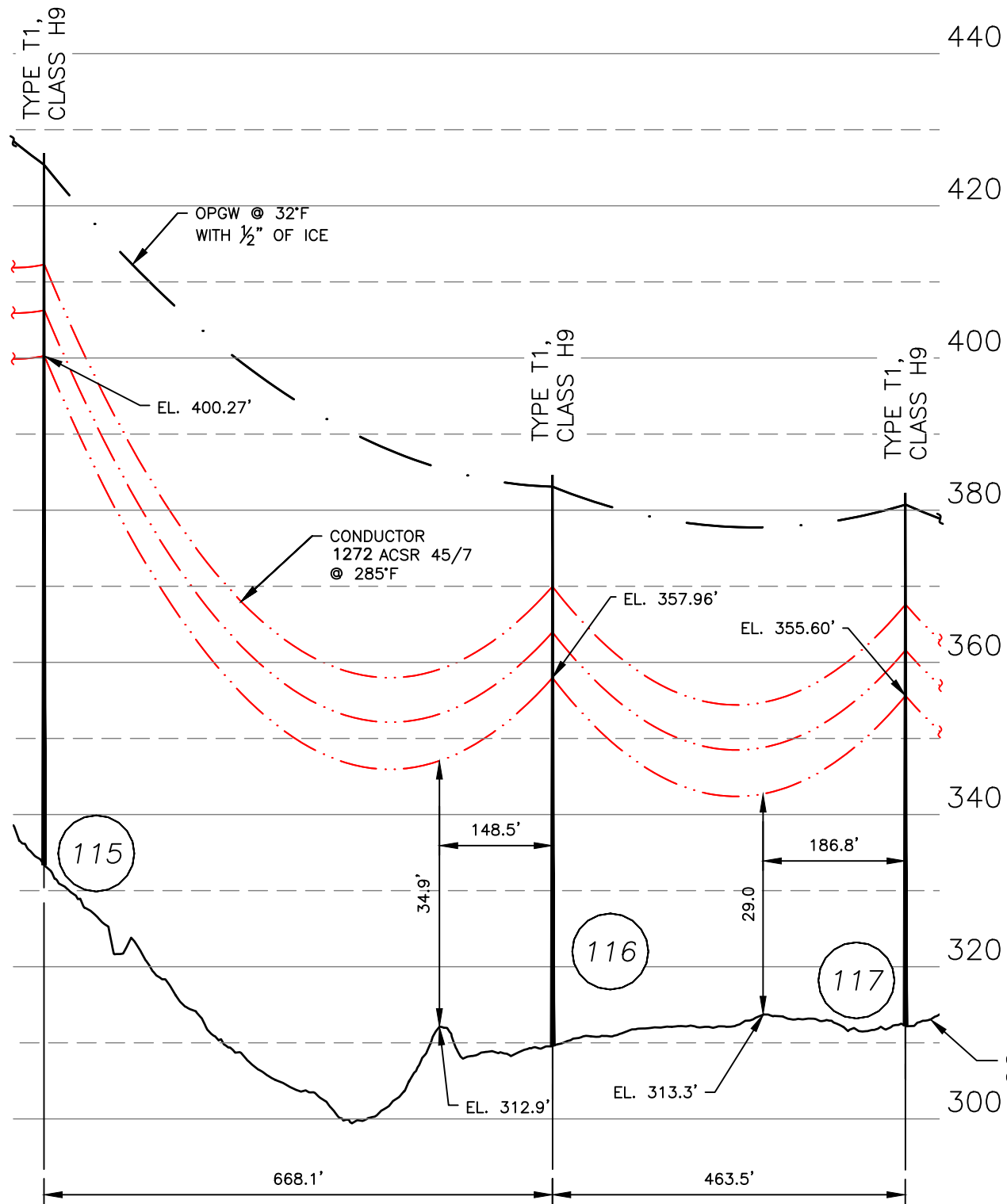
DWG REV	EPN/DESCRIPTION	CONT/PE#	DATE	DRN	CHKD	APPR
1	ISSUED TO DOE		5/22/23	NEB	JJD	CRP

EVERSOURCE ENERGY

G146, 115kV LINE
STATE OWNED LAND CROSSING
ALLENSTOWN, NEW HAMPSHIRE
EXHIBIT 4

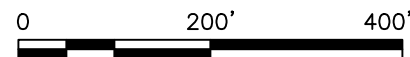
DRAWN NEB	T A
ENGINEER CRP	
CHECKED JJD	
APPROVED CRP	
DATE 2/7/23	

SCALE AS SHOWN	FILE: 04031-81001.DWG IMAGE:	DRAWING NO. 04031-81001
-------------------	---------------------------------	-----------------------------------



PROFILE VIEW

SCALE: HORZ 1" = 200'
VERT 1" = 20'



PLAN VIEW

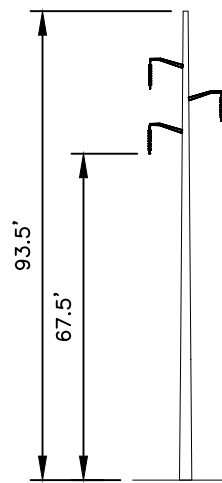
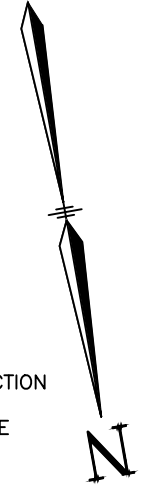
SCALE: 1" = 200'

ALLENSTOWN, NH

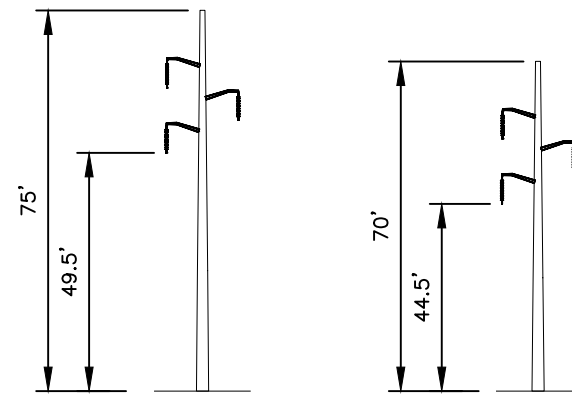
STATE LAND (DNCR)
BEAR BROOK STATE PARK
MAP 408, LOT 1
BOOK 800 PAGE 447
DHA-251
EAA-2842
EAA-2841

LEGEND:

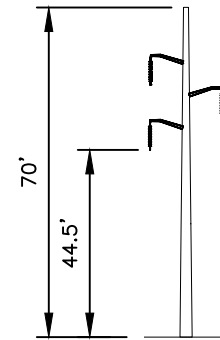
- #115 STRUCTURE
- G146 LINE 115KV LINE, C of CONSTRUCTION
- LIMITS OF EVERSOURCE RIGHT OF WAY
- PROPERTY LINE



STRUCTURE 115
TYPE T1
STR 115: IS AN EVERSOURCE TYPE T1, SINGLE CIRCUIT STEEL TANGENT, DELTA CONFIG.



STRUCTURE 116
TYPE T1
STR 116: IS AN EVERSOURCE TYPE T1, SINGLE CIRCUIT STEEL TANGENT, DELTA CONFIG.



STRUCTURE 117
TYPE T1
STR 117: IS AN EVERSOURCE TYPE T1, SINGLE CIRCUIT STEEL TANGENT, DELTA CONFIG.

STRUCTURE DETAIL

SCALE: NTS

STRUCTURE LOCATION		
STRUCTURE	LONGITUDE	LATITUDE
115	-71.38769035	43.17300578
116	-71.39015437	43.17333357
117	-71.39186402	43.17356098

NESC VERTICAL CLEARANCE (FT) FROM TABLE 232.1, C2-2017	
NATURE OF SURFACE UNDERNEATH WIRES, CONDUCTORS OR CABLES	115kV
OTHER AREAS TRAVERSED BY VEHICLES SUCH AS CULTIVED, GRAZING, FOREST AND ORCHARD LANDS, INDUSTRIAL SITES, COMMERCIAL SITES, ECT.	20.1

CABLE SCHEDULE						
WIRE	QTY OF CABLES	DESCRIPTION	DESIGN CONDITIONS			
			MAX DESIGN TENSION (lb)	TEMP (°F)	ICE (in)	WIND (psf)
CONDUCTOR	3	ACSR, 1272 kcmil 45/7, BITTERN	10000	0	0.5	4
OPGW	1	24F #0.571" BRUGG 79AY46ACS-1C	5000	0	0.5	4

NOTES:

1. PARCEL INFORMATION PROVIDED BY NH GRANIT.
2. ELEVATIONS REFERENCED TO THE NORTH AMERICAN VERTICAL DATUM OF 1988.

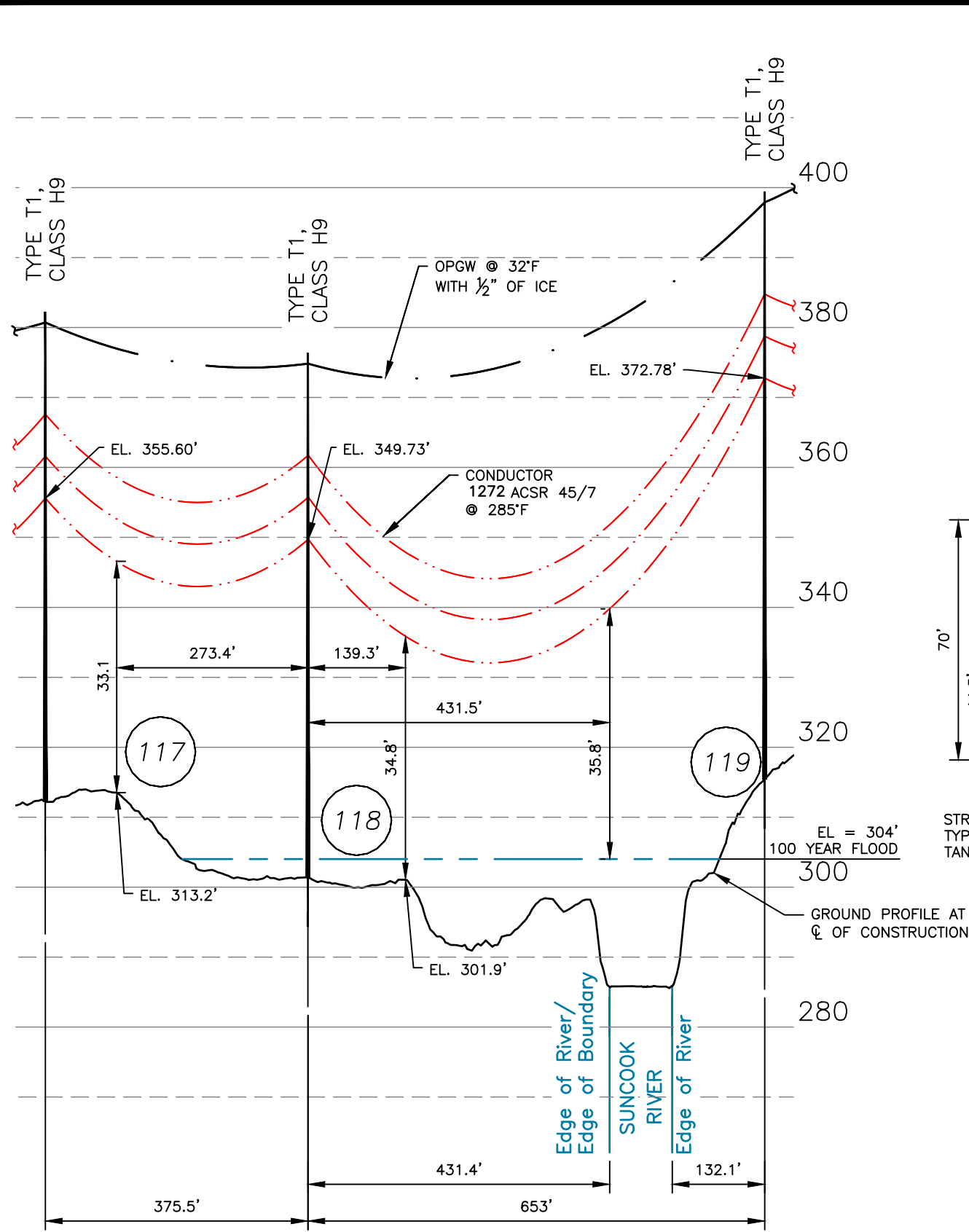
1	ISSUED TO DOE	5/22/23	NEB	JJD	CRP
DWG REV	EPN/DESCRIPTION	CONT/PE#	DATE	DRN	CHKD

EVERSOURCE ENERGY

G146, 115kV LINE
STATE OWNED LAND CROSSING
ALLENSTOWN, NEW HAMPSHIRE
EXHIBIT 5

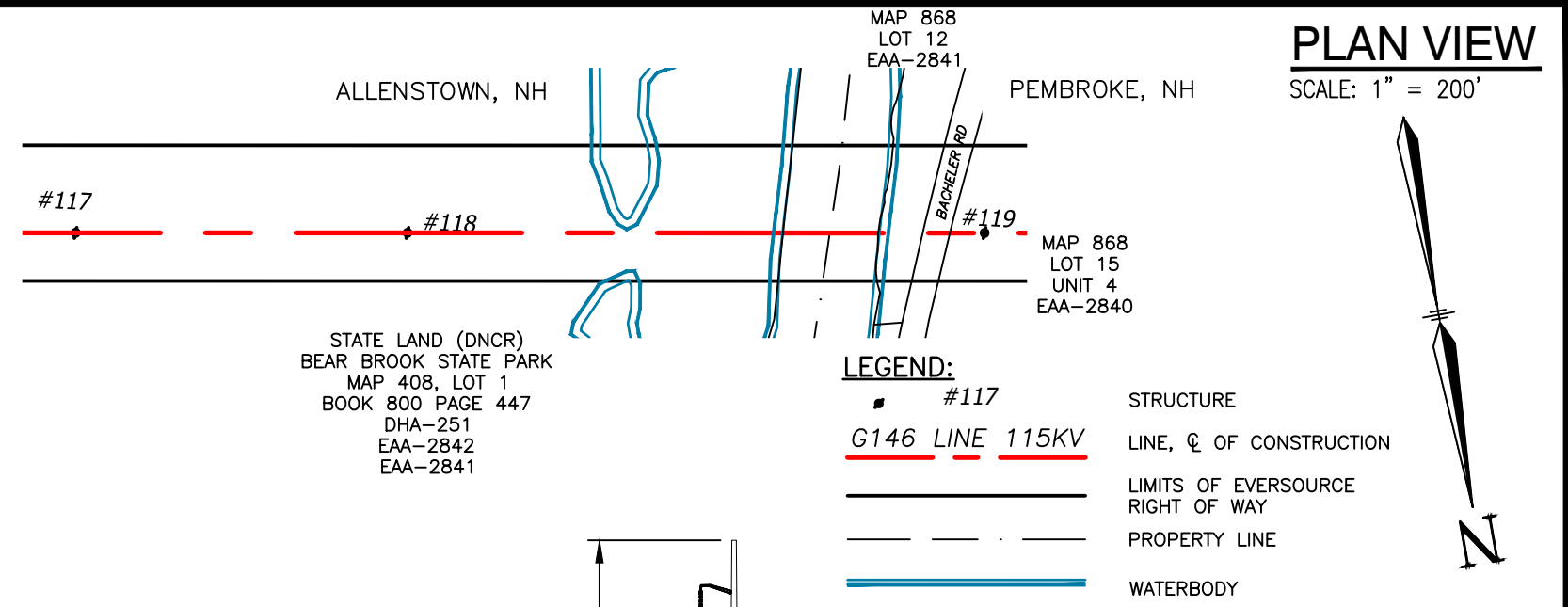
DRAWN NEB	T A
ENGINEER CRP	CHECKED JJD
APPROVED CRP	DATE 2/7/23

SCALE AS SHOWN	FILE: 04031-81001.DWG IMAGE:	DRAWING NO. 04031-81001
-------------------	---------------------------------	-----------------------------------



PROFILE VIEW

SCALE: HORZ 1" = 200'
VERT 1" = 20'

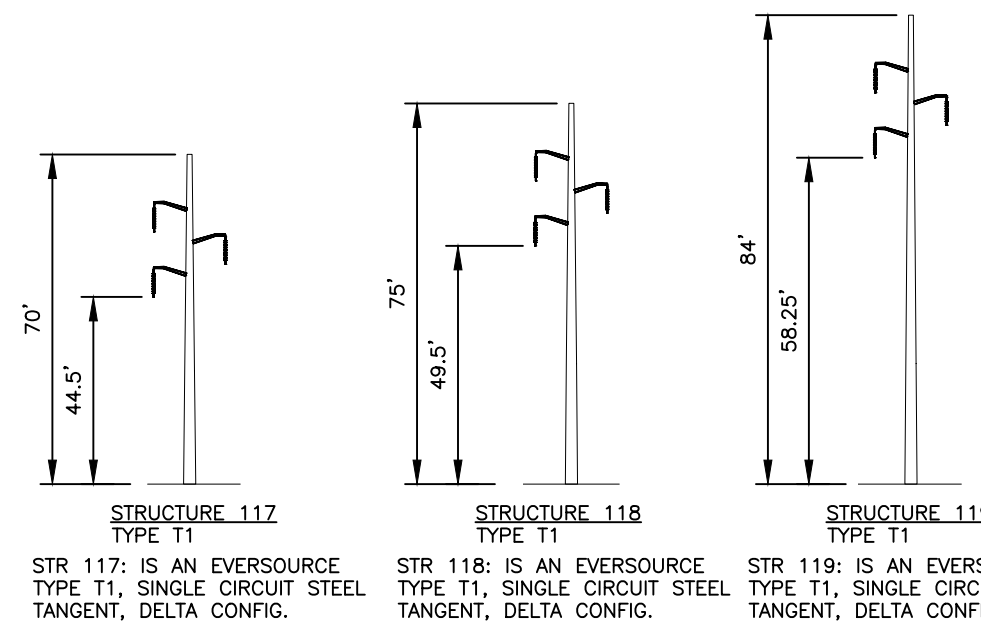


PLAN VIEW

SCALE: 1" = 200'

LEGEND:

- #117 STRUCTURE
- G146 LINE 115KV LINE, C/L OF CONSTRUCTION
- LIMITS OF EVERSOURCE RIGHT OF WAY
- PROPERTY LINE
- WATERBODY



STRUCTURE DETAIL

SCALE: NTS

NOTES:

1. PARCEL INFORMATION PROVIDED BY HN GRANIT.
2. ELEVATIONS REFERENCED TO THE NORTH AMERICAN VERTICAL DATUM OF 1988.
3. 100 YEAR FLOOD ELEVATION FROM THE FEMA FLOOD MAP SERVICE CENTER, NATIONAL FLOOD HAZARD LAYER FIRMETTE, 04/19/2010.

STRUCTURE LOCATION		
STRUCTURE	LONGITUDE	LATITUDE
117	-71.39186402	43.17356098
118	-71.39324890	43.17374517
119	-71.39565744	43.17406546

NESC VERTICAL CLEARANCE (FT) FROM TABLE 232.1, C2-2017	
NATURE OF SURFACE UNDERNEATH WIRES, CONDUCTORS OR CABLES	115kV
OTHER AREAS TRAVERSED BY VEHICLES SUCH AS CULTIVED, GRAZING, FOREST AND ORCHARD LANDS, INDUSTRIAL SITES, COMMERCIAL SITES, ECT.	20.1
WATER AREAS NOT SUITABLE FOR SAIL BOATING OR WHERE SAIL BOATING IS PROHIBITED	18.6

CABLE SCHEDULE						
WIRE	QTY OF CABLES	DESCRIPTION	DESIGN CONDITIONS			
			MAX DESIGN TENSION (lb)	TEMP (°F)	ICE (in)	WIND (psf)
CONDUCTOR	3	ACSR, 1272 kcmil 45/7, BITTERN	10000	0	0.5	4
OPGW	1	24F #0.571" BRUGG 79AY46ACS-1C	5000	0	0.5	4

EVERSOURCE ENERGY

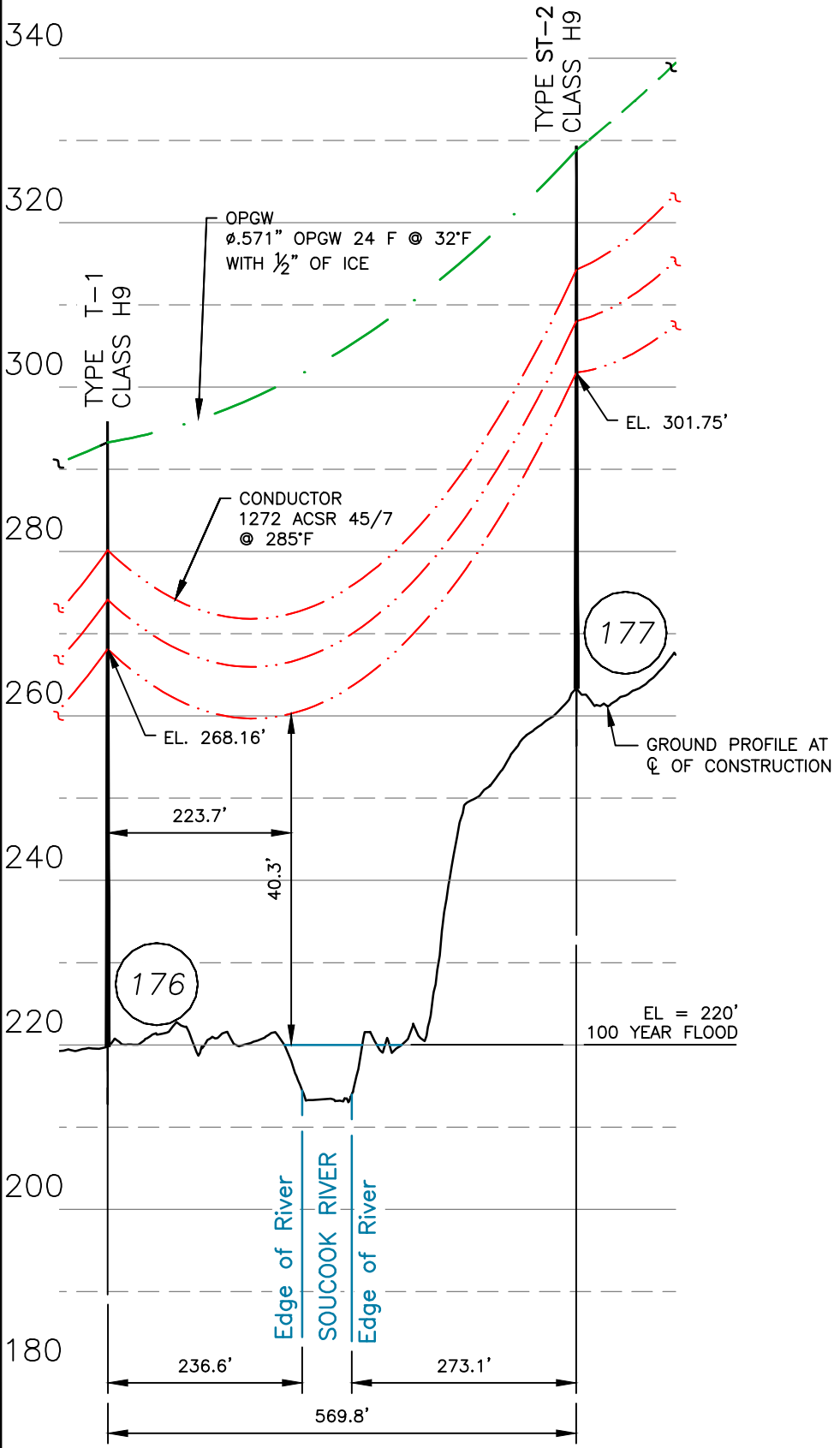
G146, 115kV LINE
STATE OWNED LAND & WATER CROSSING
ALLENSTOWN, NEW HAMPSHIRE
EXHIBIT 6

T	A
DRAWN	NEB
ENGINEER	CRP
CHECKED	JJD
APPROVED	CRP
DATE	2/7/23

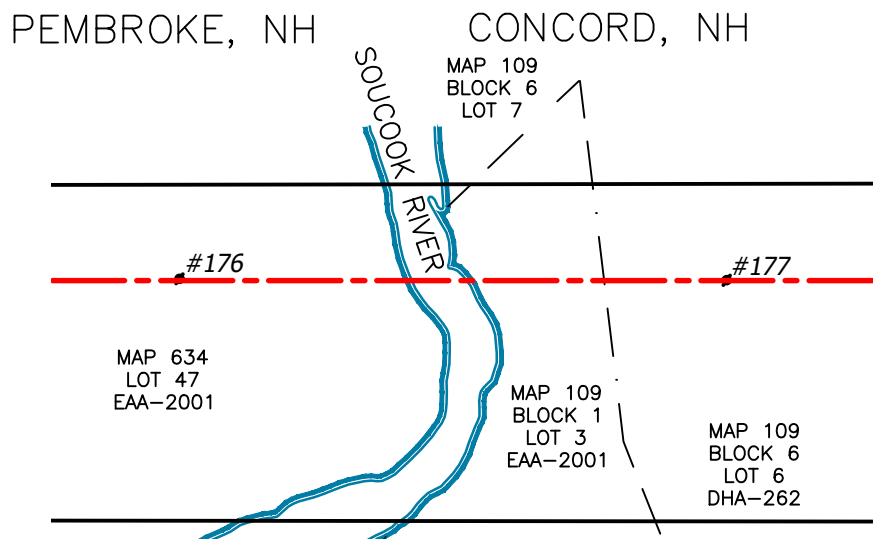
1	ISSUED TO DOE	5/22/23	NEB	JJD	CRP
DWG REV	EPN/DESCRIPTION	CONT/PE#	DATE	DRN	CHKD

SCALE	AS SHOWN	FILE: 04031-81001.DWG	DRAWING NO.	04031-81001
IMAGE:				

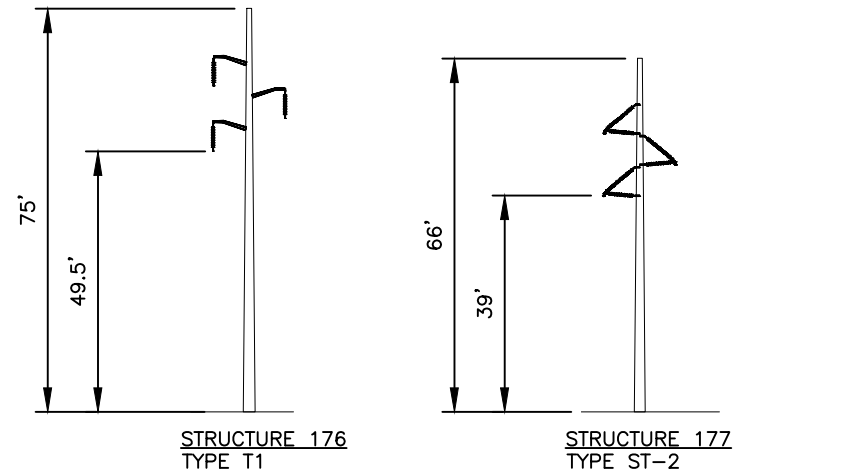
5/22/2023 2:28 PM - RossV - C:\Users\RossV\Desktop\TEST\work\folder\04031-81002.dwg - EXHIBIT 7 (WATER CROSSING) ES VER: 12/2016



PROFILE VIEW
 SCALE: HORZ 1" = 200'
 VERT 1" = 20'



PLAN VIEW
 SCALE: 1" = 200'



STRUCTURE DETAIL
 SCALE: NTS

- NOTES:**
1. PARCEL INFORMATION PROVIDED BY HN GRANIT.
 2. ELEVATIONS REFERENCED TO THE NORTH AMERICAN VERTICAL DATUM OF 1988.
 3. 100 YEAR FLOOD ELEVATION FROM THE FEMA FLOOD MAP SERVICE CENTER, NATIONAL FLOOD HAZARD LAYER FIRMETTE, 04/19/2010.

LEGEND:

- #176 STRUCTURE
- G146 LINE 115KV LINE, ϕ OF CONSTRUCTION
- LIMITS OF EVERSOURCE RIGHT OF WAY
- WATERBODY
- PROPERTY BOUNDARY

STRUCTURE LOCATION		
STRUCTURE	LONGITUDE	LATITUDE
176	-71.49864182	43.17528973
177	-71.50016555	43.17419421

NESC VERTICAL CLEARANCE (FT) FROM TABLE 232.1, C2-2012	
NATURE OF SURFACE UNDERNEATH WIRES, CONDUCTORS OR CABLES	115kv
WATER AREAS NOT SUITABLE FOR SAIL BOATING OR WHERE SAIL BOATING IS PROHIBITED	18.6

CABLE SCHEDULE						
WIRE	QTY OF CABLES	DESCRIPTION	DESIGN CONDITIONS			
			MAX DESIGN TENSION (lb)	TEMP (°F)	ICE (in)	WIND (psf)
CONDUCTOR	3	ACSR, 1272 kcmil 45/7, BITTERN	10000	0	0.5	4
OPGW	1	24F ϕ 0.571" BRUGG 79AY46ACS-1C	5500	0	0.5	4

EVERSOURCE ENERGY

G146, 115kV LINE
 SOUCOOK RIVER CROSSING
 PEMBROKE & CONCORD, NEW HAMPSHIRE
 EXHIBIT 7

DRAWN NEB	T A
ENGINEER CRP	CHECKED JJD
APPROVED CRP	DATE 9/15/22

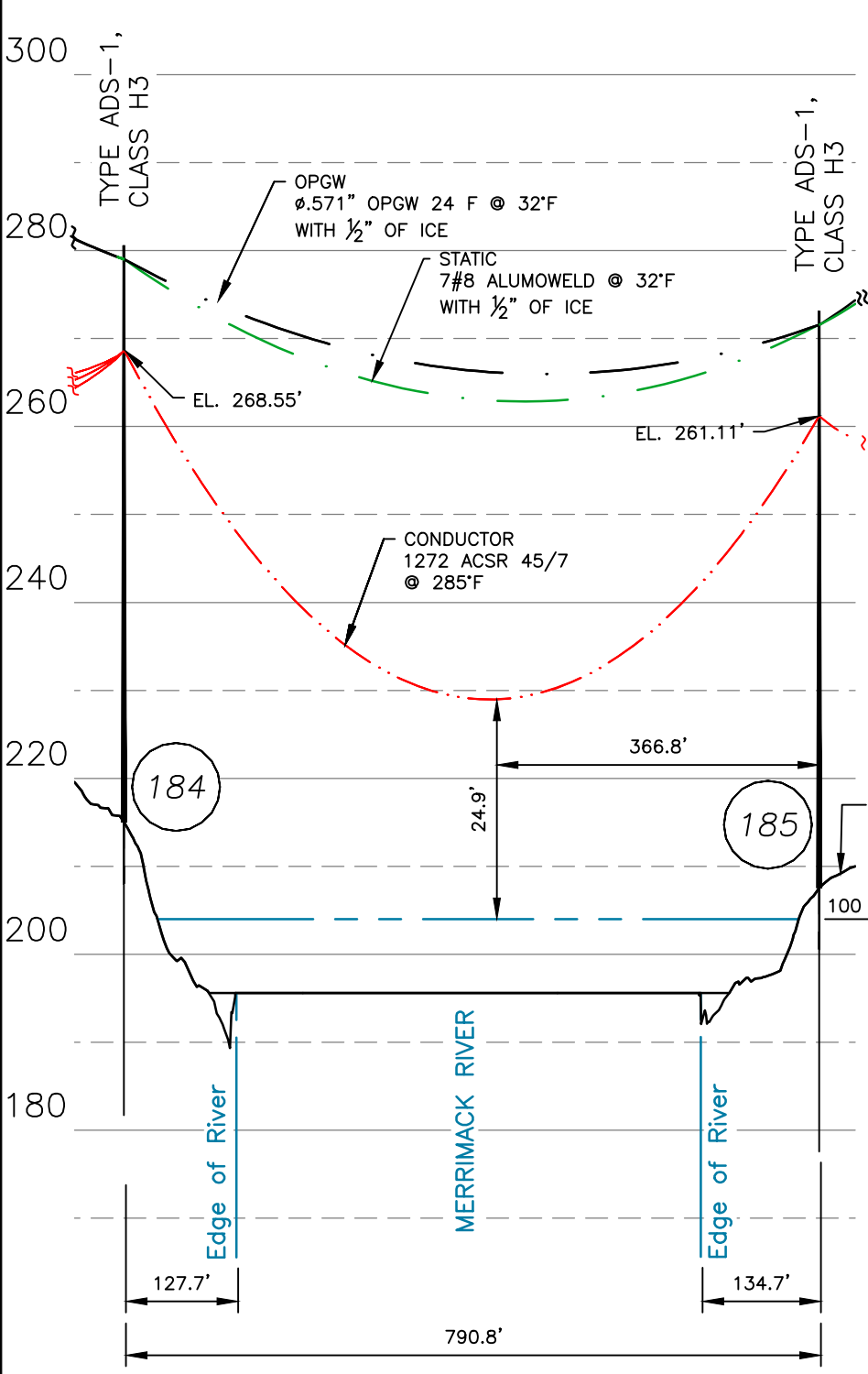
DRAWING NO.
04031-81002

DWG REV	ISSUED TO	DATE	DRN	CHKD	APPR
1	DOE	5/22/23	NEB	JJD	CRP



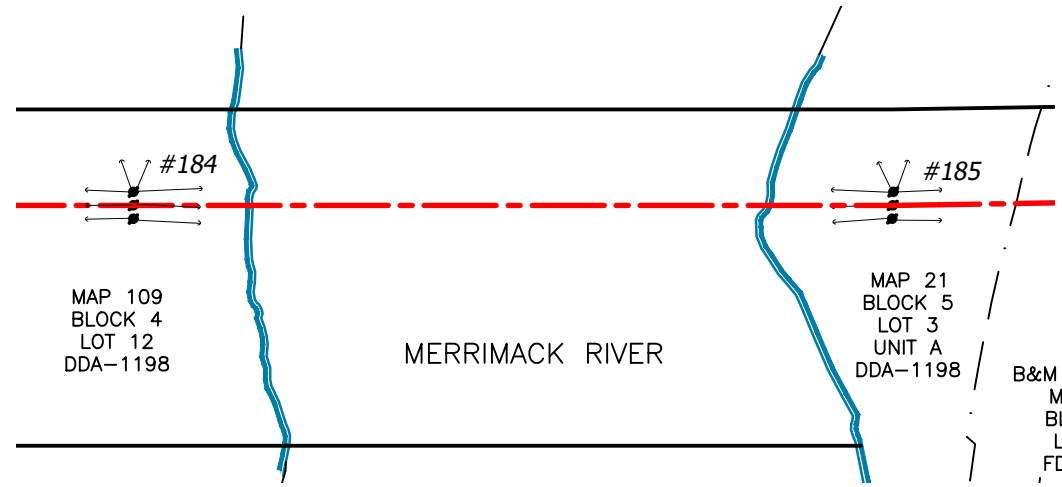
5/22/2023 2:24 PM - RossV - C:\Users\RossV\Desktop\TEST\workin folder\04031-81003.dwg - EXHIBIT 8 (WATER CROSSING) ES VER: 12/2016

CONCORD, NH BOW, NH



PROFILE VIEW

SCALE: HORZ 1" = 200'
VERT 1" = 20'



PLAN VIEW

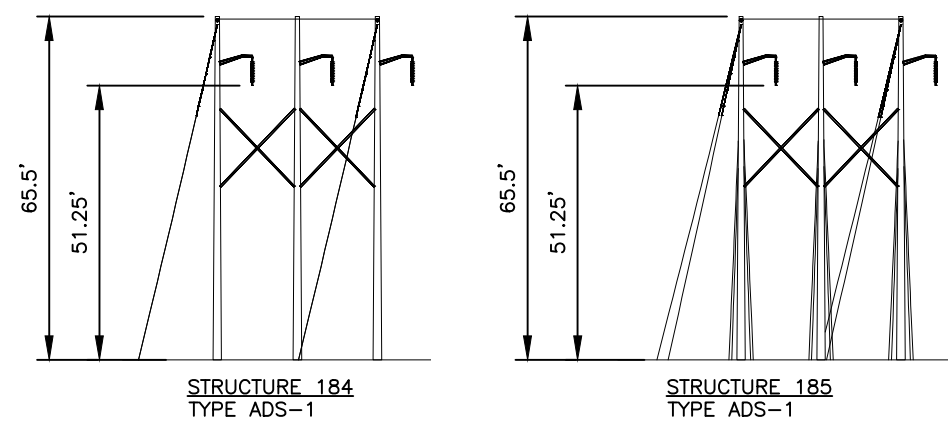
SCALE: 1" = 200'

LEGEND:

- #184 STRUCTURE
- G146 LINE 115KV LINE, C OF CONSTRUCTION
- LIMITS OF EVERSOURCE RIGHT OF WAY
- WATERBODY
- PROPERTY BOUNDARY

STRUCTURE LOCATION		
STRUCTURE	LONGITUDE	LATITUDE
184	-71.50536145	43.16605328
185	-71.50653591	43.16406105

NESC VERTICAL CLEARANCE (FT) FROM TABLE 232.1, C2-2012	
NATURE OF SURFACE UNDERNEATH WIRES, CONDUCTORS OR CABLES	115kV
WATER AREAS NOT SUITABLE FOR SAIL BOATING OR WHERE SAIL BOATING IS PROHIBITED	18.6



STRUCTURE 184
TYPE ADS-1
STR 184: IS A EVERSOURCE TYPE ADS-1, SINGLE CIRCUIT STEEL DEADEND, HORIZONTAL CONFIG.

STRUCTURE 185
TYPE ADS-1
STR 185: IS A EVERSOURCE TYPE ADS-1, SINGLE CIRCUIT STEEL DEADEND, HORIZONTAL CONFIG.

STRUCTURE DETAIL

SCALE: NTS

CABLE SCHEDULE						
WIRE	QTY OF CABLES	DESCRIPTION	DESIGN CONDITIONS			
			MAX DESIGN TENSION (lb)	TEMP (°F)	ICE (in)	WIND (psf)
CONDUCTOR	3	ACSR, 1272 kcmil 45/7, BITTERN	10000	0	0.5	4
STATIC	1	7 No. 8 AW	4200	0	0.5	4
OPGW	1	24F 0.571" BRUGG 79AY46ACS-1C	5500	0	0.5	4

NOTES:

- PARCEL INFORMATION PROVIDED BY NH GRANIT.
- ELEVATIONS REFERENCED TO THE NORTH AMERICAN VERTICAL DATUM OF 1988.
- 100 YEAR FLOOD ELEVATION FROM THE FEMA FLOOD MAP SERVICE CENTER, NATIONAL FLOOD HAZARD LAYER FIRMETTE, 04/19/2010.

EVERSOURCE ENERGY

G146, 115kV LINE
MERRIMACK RIVER CROSSING
CONCORD & BOW, NEW HAMPSHIRE
EXHIBIT 8

DRAWN NEB	T A
ENGINEER CRP	CHECKED JJD
APPROVED CRP	DATE 9/15/22

SCALE: AS SHOWN FILE: 04031-81003.DWG DRAWING NO. 04031-81003

DWG REV	ISSUED TO	EPN/DESCRIPTION	CONT/PE#	DATE	DRN	CHKD	APPR
1	DOE			5/22/23	NEB	JJD	CRP