

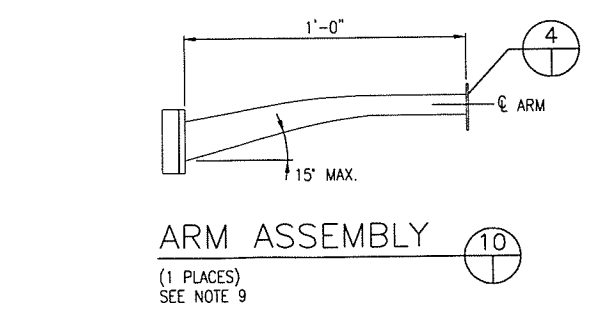
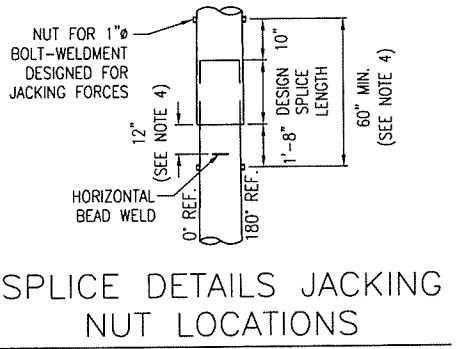
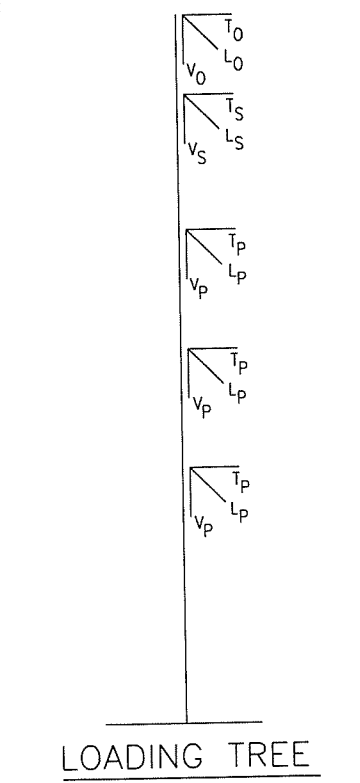
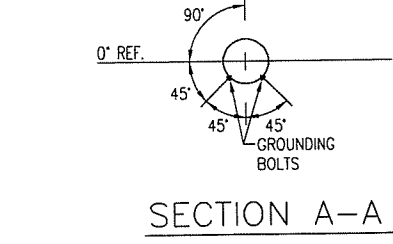
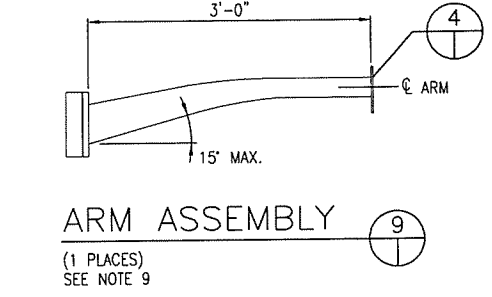
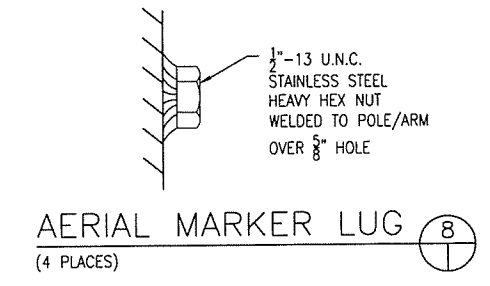
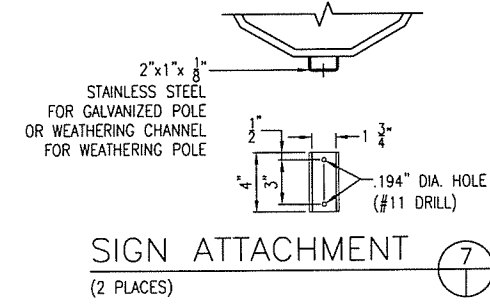
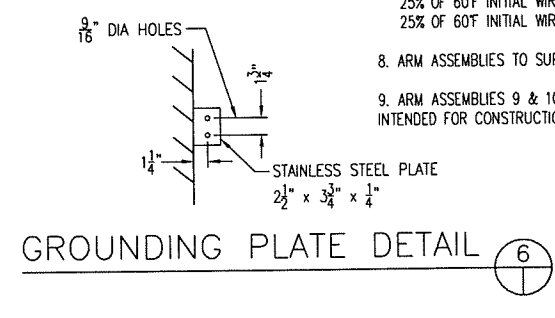
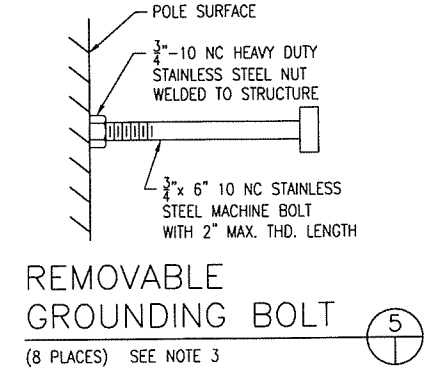
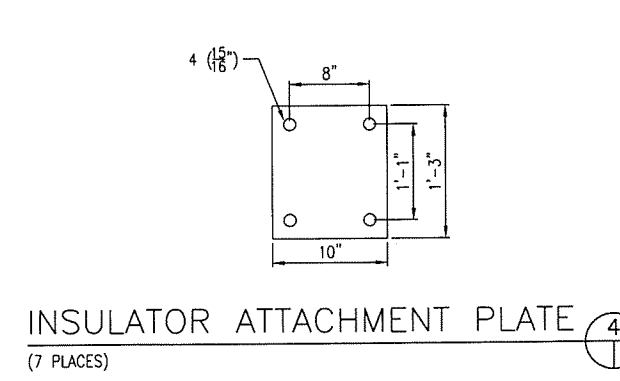
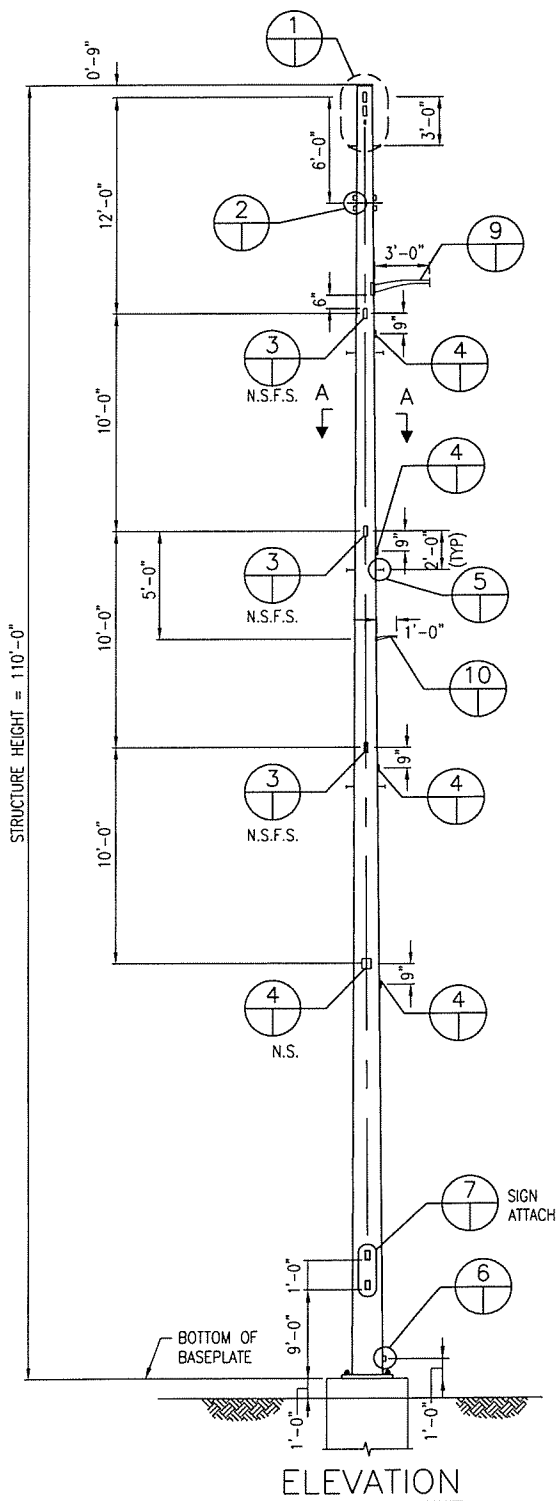
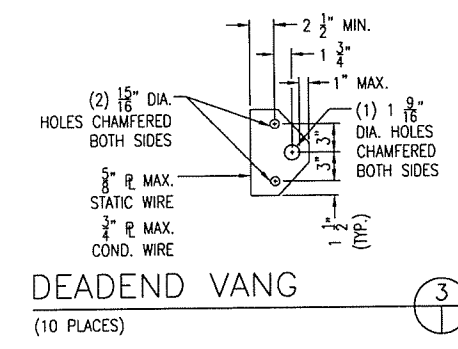
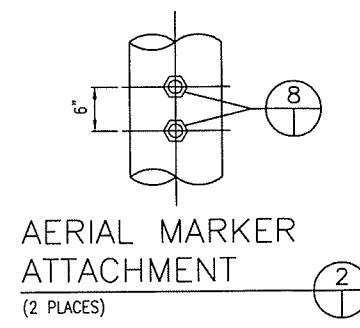
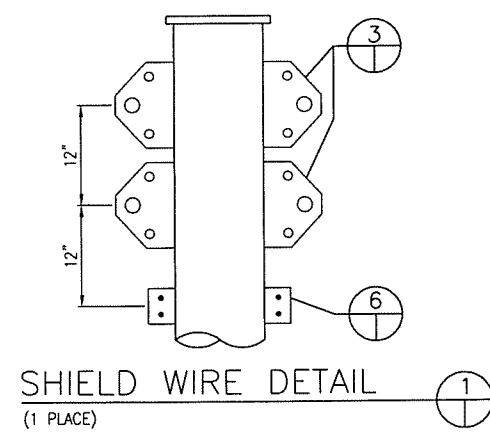
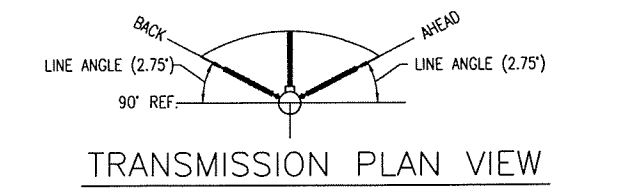
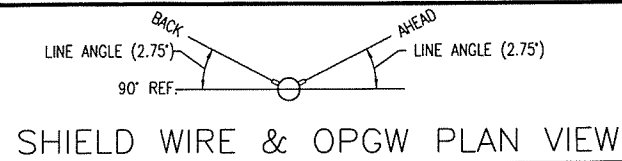
Type "RAX"
H-Frame Tangent Structure
115kV Construction
 Northeast Utilities Service Company
 Public Service Company of New Hampshire
 Manchester, New Hampshire

FIGURE 1

PA-1 Foundation Angle
 with (2) 7/8"x12" Bolts (W-8 1/2") or
 with (2) 7/8"x14" Bolts (W-10 1/4")

© LWS 12/10

				Laminated Wood Systems, Inc.	
				E-LAM	
				P.O. BOX 386, SEWARD, NE 68434 1-800-949-ELAM	
NO.	REVISION	DATE	CK.	DRAWN K. Love	DATE 12/16/10
ACAD DWG. FILE: NESC8004A1				DWG. NO.	NESC-0080.04A1



NO.	LOADING CASE DESCRIPTION	TEMP. F	ICE R-IN.	WIND PSF ON STR (WT)	DESIGN LOADS (KIP)								
					V ₀	T ₀	L ₀	V _S	T _S	L _S	V _P	T _P	L _P
1	NESC HEAVY (250B)	0	0.5	10	1.9	1.4	-0.3	1.9	1.7	-0.4	5.1	3.6	-0.4
2	EXTREME WIND (250C)	60	0	28	0.9	1.1	-0.2	0.9	1.1	-0.2	2.7	3.2	-0.6
3	EXTREME ICE & WIND	15	1	4	2.7	1.1	-0.6	2.6	1.4	-1.1	5.5	2.7	-1.0
4	DEFLECTION	60	0	0	0.6	0.1	0.2	0.6	0.2	0.4	2.0	0.7	-0.4
5	LONGITUDINAL LOADING	0	0.5	4	1.1	0.9	-6.9	1.1	1.0	-7.4	2.9	2.0	-16.4

115KV CONDUCTOR: 1590 MCM ACSR 45/7 "LAPWING" CONDUCTOR ONE PER PHASE (10,000# @ NESC HEAVY, INITIAL, AHEAD & BACK)
 SHIELD WIRE: 19#10 ALUMOWELD (4,500# @ NESC HEAVY, INITIAL, AHEAD)
 FIBER OPTIC WIRE: OPGW 36F (4,200# @ NESC HEAVY, INITIAL, AHEAD & BACK)

PATRICK ENERGY SERVICES
 39500 Orchard Hill Place, Suite 200
 New Milford, CT 06457
 TEL: (248) 318-0700
 FAX: (248) 318-0701
 http://www.patrick.com

REV	DESCRIPTION	ENG/PE	DATE	DRN	CHKD	APPR
1	100% SUBMITTAL - WO#1154C1 - EPN 7163		09/11	TDC	RPL	JDC
0	100% SUBMITTAL - WO#1154C1 - EPN 7163		06/11	KMW	RPL	JDC

Public Service of New Hampshire
 A Northeast Utilities Company

K-185 115KV
 TRANSMISSION LINE
 STRUCTURE #183
 EAGLE S/S

SCALE: NONE
 FILE: R-3920-100.DWG
 DRAWING NO.: R-3920-100

NO REMOVAL DRAWING REQUIRED

FIGURE 2 ADDITIONS