



**LEGEND:**

K105 LINE:   
 K105 STR: 



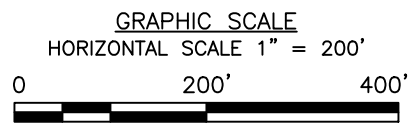
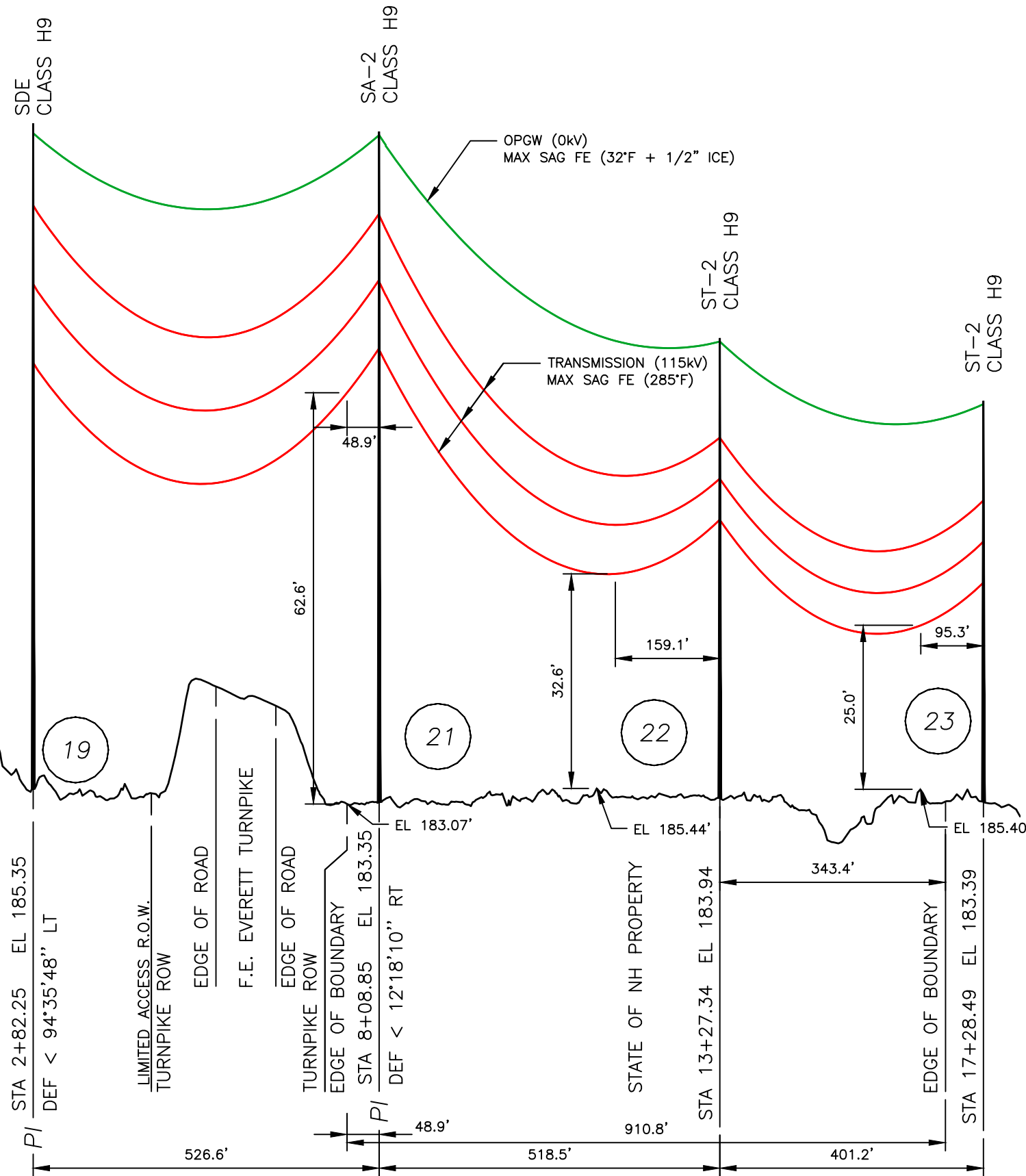
LINE K105 115kV TRANSMISSION  
 STATE LAND CROSSING  
 MERRIMACK, NEW HAMPSHIRE  
 EXHIBIT 1

T	2
DRAWN GEB	
ENGINEER CJT	
CHECKED DWW	
APPROVED APS	
DATE 2/21/2021	

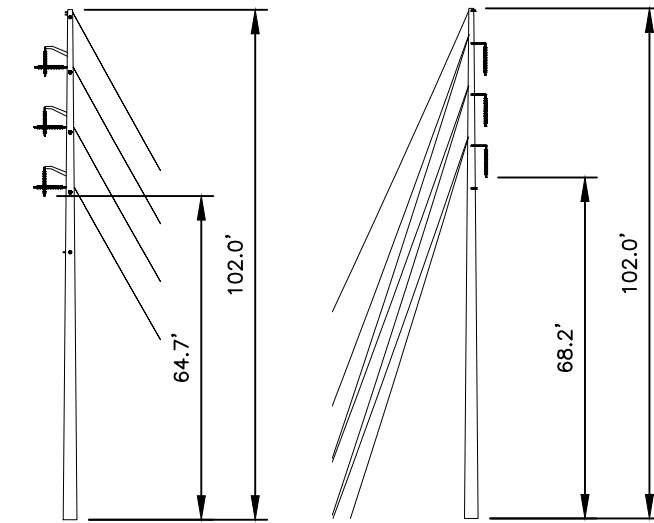
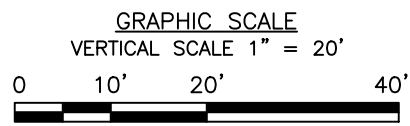
DWG REV	EPN/DESCRIPTION	CONT/PE#	DATE	DRN	CHKD	APPR
2	OPGW REPLACEMENT WO# T1417A06 & AS-BUILTS WO# TL9R9U01	LEIDOS	05/21	GEB	DWW	APS
1	ISSUED TO PUC WO# TLNN2032	LEIDOS	02/21	GEB	DWW	APS

SCALE: 1" = 1500'  
 FILE: K10543901.DWG  
 IMAGE:

DRAWING NO.  
**K10543901**

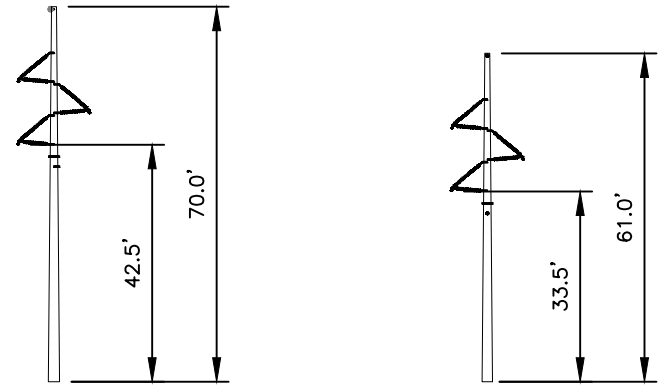


**PROFILE VIEW**  
SCALE: HORZ 1" = 200'  
VERT 1" = 20'



**STRUCTURE 19**  
TYPE SDE  
STR 19: IS A EVERSOURCE TYPE SDE, SINGLE CIRCUIT STEEL POLE DEADEND, GUYED.

**STRUCTURE 21**  
TYPE SA-2  
STR 21: IS A EVERSOURCE TYPE SA-2, SINGLE CIRCUIT STEEL POLE RUNNING ANGLE, GUYED.



**STRUCTURE 22**  
TYPE ST-2  
STR 22: IS A EVERSOURCE TYPE ST-2, SINGLE CIRCUIT STEEL POLE TANGENT, DELTA CONFIG.

**STRUCTURE 23**  
TYPE ST-2  
STR 23: IS A EVERSOURCE TYPE ST-2, SINGLE CIRCUIT STEEL POLE TANGENT, DELTA CONFIG, GUYED.

**STRUCTURE DETAIL**  
SCALE: NTS

STRUCTURE LOCATION		
STRUCTURE	LONGITUDE	LATITUDE
19	-71.46228234	42.90600925
21	-71.46423716	42.90585718
22	-71.46615979	42.90604988
23	-71.46764560	42.90618572

NESC VERTICAL CLEARANCE (FT)	
NATURE OF SURFACE UNDERNEATH WIRES, CONDUCTORS OR CABLES	115kV
OTHER AREAS TRAVERSED BY VEHICLES SUCH AS CULTIVATING, GRAZING, FOREST, AND ORCHARD LANDS, INDUSTRIAL AREAS, COMMERCIAL AREAS, ECT.	20.1

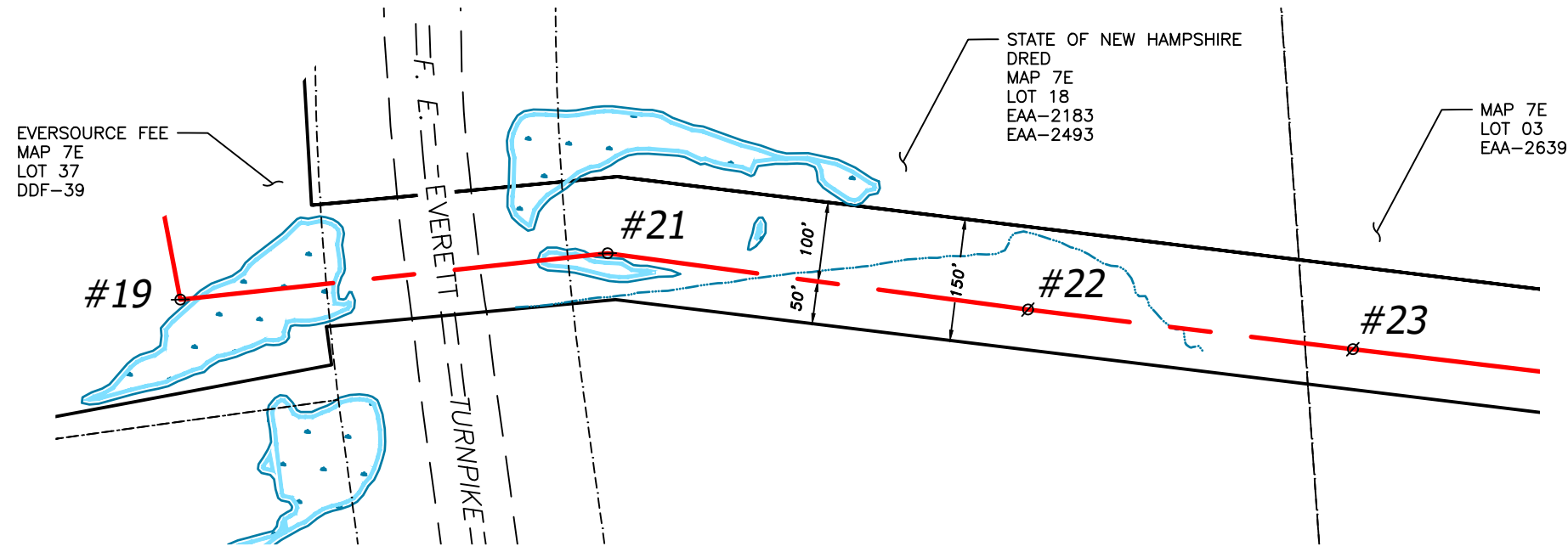
CABLE SCHEDULE					
WIRE	# OF CABLES	TYPE	DIA. (IN.)	WEIGHT (LBS.)/1000 FT	CABLE TENSION (LBS.)
OPGW	1	96F OPGW	0.6460	487	5,000
TRANSMISSION COND.	3	1272 KCMIL ACSR 45/7 BITTERN	1.3450	1,432	9,830

- NOTES:**
- ELEVATIONS REFERENCED TO THE NORTH AMERICAN VERTICAL DATUM OF 1988.
  - GROUND ELEVATION PROFILE DETERMINED USING INFORMATION FROM LIDAR SURVEY.
  - PARCEL INFORMATION OBTAINED FROM GRANIT.
  - SEE PAGE 3 OF 3 FOR PLAN VIEW.

LINE K105 115kV TRANSMISSION  
STATE LAND CROSSING PROFILE VIEW  
MERRIMACK, NEW HAMPSHIRE  
EXHIBIT 2

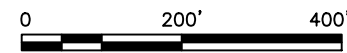
T	2
DRAWN	GEB
ENGINEER	CJT
CHECKED	DWW
APPROVED	APS
DATE	2/21/2021

DWG REV	EPN/DESCRIPTION	CONT/PE#	DATE	DRN	CHKD	APPR
2	OPGW REPLACEMENT W/ T1417A06 & AS-BUILTS W/ T199U01		05/21	GEB	DWW	APS
1	ISSUED TO PUC W/ TLNN2032		02/21	GEB	DWW	APS



**PLAN VIEW**

SCALE: 1" = 200'



**LEGEND:**

- STRUCTURE
- EDGE OF ROAD
- LINE,  $\phi$  OF CONSTRUCTION
- LIMITS OF EVERSOURCE RIGHT OF WAY
- PARCEL LINES

DWG REV	EPN/DESCRIPTION	CONT/PE#	DATE	DRN	CHKD	APPR
2	OPGW REPLACEMENT WO# T1417A06 & AS-BUILTS WO# TL9R9U01	LEIDOS	05/21	GEB	DWW	APS
1	ISSUED TO PUC WO# TLNN2032	LEIDOS	02/21	GEB	DWW	APS

<p>LINE K105 115kV TRANSMISSION STATE LAND CROSSING PLAN VIEW MERRIMACK, NEW HAMPSHIRE EXHIBIT 3</p>	T 2	
	DRAWN GEB	
	ENGINEER CJT	
	CHECKED DWW	
	APPROVED APS	
DATE 2/21/2021		
SCALE AS SHOWN	FILE: K10543901.DWG IMAGE:	DRAWING NO. K10543901