

**LEGEND:**

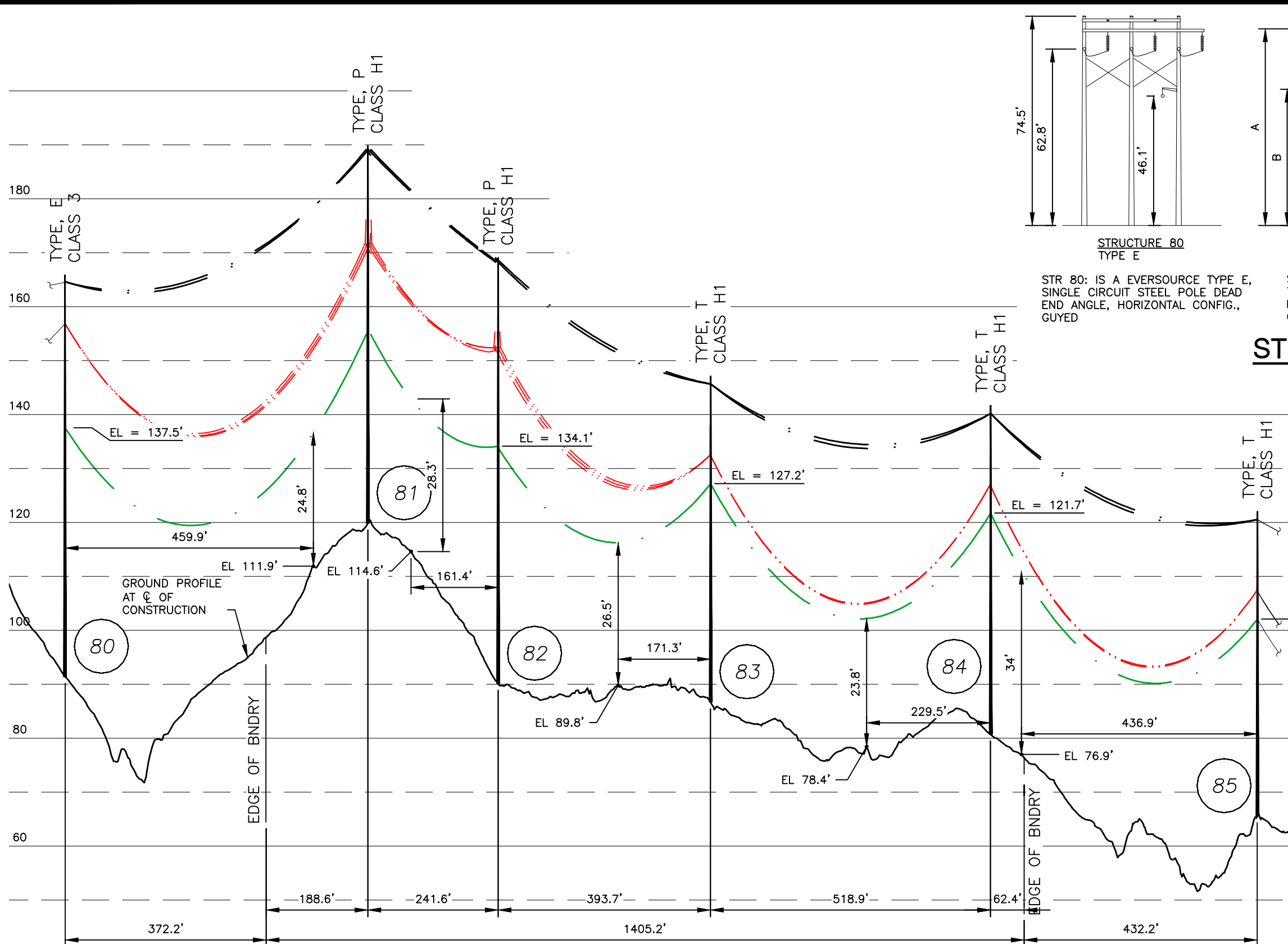
- M183 LINE:
- M183 STR:

DWG REV	EPN/DESCRIPTION	CONT/PE#	DATE	DRN	CHKD	APPR
1	ISSUED TO NH DOE		02/23	GBS	SAC	SAC

**EVERSOURCE ENERGY**

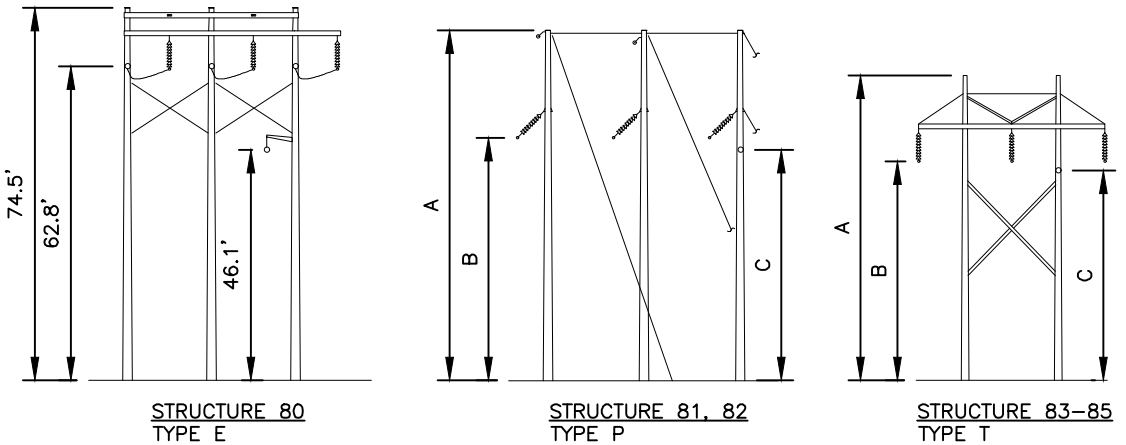
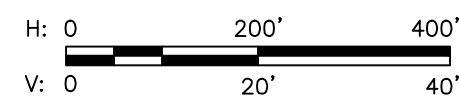
M183 115kV LINE  
PUBLIC LAND AND WATER CROSSING, LOCATION PLAN  
DOVER, NEW HAMPSHIRE  
EXHIBIT 1

T	1
DRAWN GBS	
ENGINEER SAC	
CHECKED SAC	
APPROVED SAC	
DATE 01/09/2023	



**PROFILE VIEW**

SCALE: HORZ 1" = 200'  
VERT 1" = 20'



STR 80: IS A EVERSOURCE TYPE E, SINGLE CIRCUIT STEEL POLE DEAD END ANGLE, HORIZONTAL CONFIG., GUYED  
 STR 81, 82: IS A EVERSOURCE TYPE P, SINGLE CIRCUIT STEEL RUNNING ANGLE, HORIZONTAL CONFIG., GUYED  
 STR 83-85: IS A EVERSOURCE TYPE T, SINGLE CIRCUIT STEEL H-FRAME TANGENT, HORIZONTAL CONFIG., GUYED

**STRUCTURE DETAIL**

SCALE: NTS

DIMENSION CHART (IN FEET)			
STR	A	B	C
81	70	52	35
82	79	62	44
83	60.5	45.8	40.5
84	61	46.1	41
85	56.5	41.8	36.5

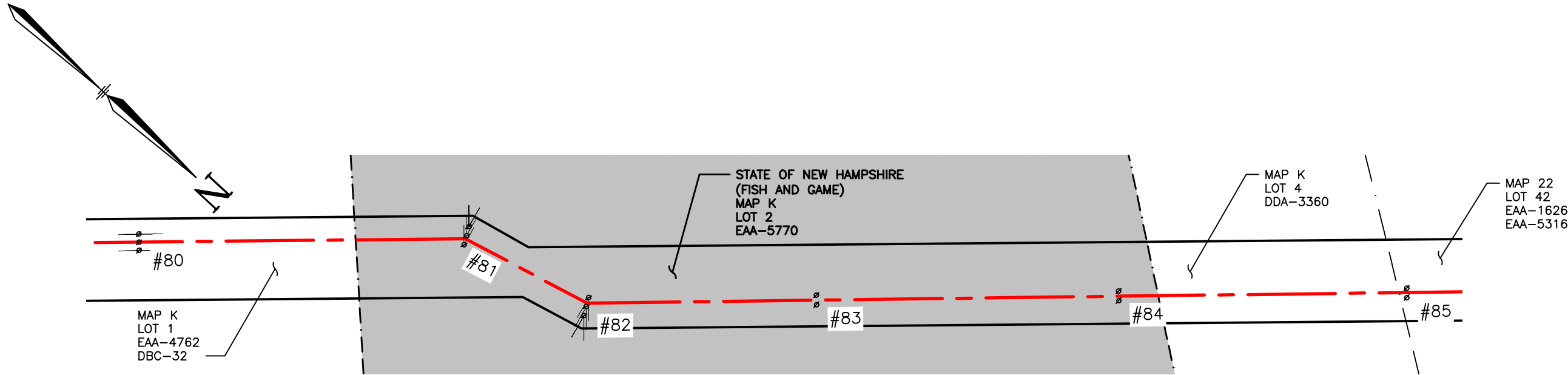
NATURE OF SURFACE UNDERNEATH WIRES, CONDUCTORS OR CABLES	LINE VOLTAGE (kV)	
	NEUTRAL / ADSS	115
OTHER AREAS TRAVERSED BY VEHICLES, SUCH AS CULTIVATED, GRAZING, FOREST, AND ORCHARD LANDS, INDUSTRIAL SITES, COMMERCIAL SITES, ETC	15.5	20.1

- NOTES:**
1. PARCEL INFORMATION PROVIDED BY NH GRANIT.
  2. ELEVATIONS REFERENCED TO THE NORTH AMERICAN VERTICAL DATUM OF 1988.

<b>EVERSOURCE ENERGY</b>	T	1
	DRAWN	GBS
	ENGINEER	SAC
	CHECKED	SAC
	APPROVED	SAC
	DATE	01/09/2023
M183, 115kV LINE PUBLIC LAND CROSSING, PROFILE AND DETAILS DOVER, NEW HAMPSHIRE EXHIBIT 2		SCALE AS SHOWN
FILE: 04054-81001.DWG		DRAWING NO. 04054-81001

DWG REV	ISSUED TO NH DOE	EPN/DESCRIPTION	CONT/PE#	DATE	DRN	CHKD	APPR
1				02/23	GBS	SAC	SAC

1/19/2023 7:43 AM - sullivan - N:\Adept Work Area\NH Work Area\sulligx\Lines\Line 115kV\115...04054-81001.dwg - EXHIBIT 3 (LAND CROSSING) PLAN: 12/2016



### PLAN VIEW

SCALE: 1" = 200'

#### LEGEND:

- #82 STRUCTURE (WITH GUYS)
- PROPERTY BOUNDARY
- M183 LINE 115KV LINE, C OF CONSTRUCTION
- LIMITS OF EVERSOURCE RIGHT OF WAY

STRUCTURE LOCATION		
STRUCTURE	LONGITUDE	LATITUDE
80	-70.85679383	43.19000596
81	-70.85822267	43.19113521
82	-70.85844013	43.19176308
83	-70.85944894	43.19255168
84	-70.86077497	43.19359333
85	-70.86203460	43.19458923

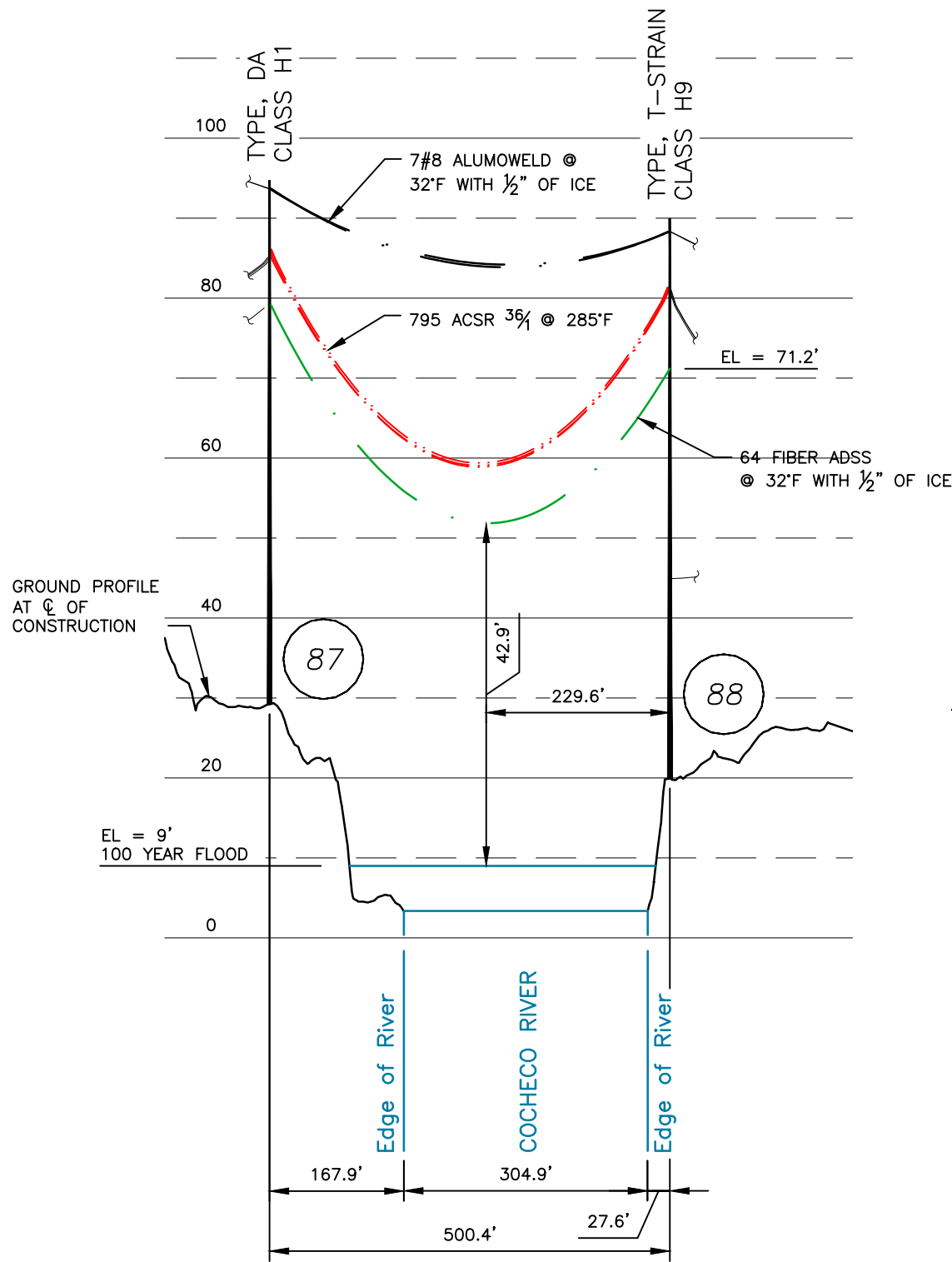
#### NOTES:

1. PARCEL INFORMATION PROVIDED BY NH GRANIT.

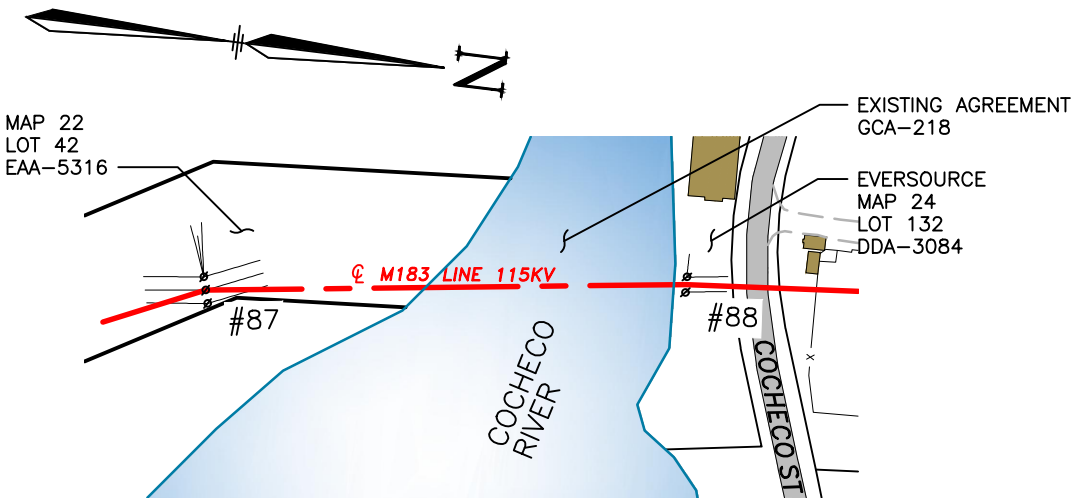
DWG	REV	EPN/DESCRIPTION	CONT/PE#	DATE	DRN	CHKD	APPR
1		ISSUED TO NH DOE		02/23	GBS	SAC	SAC

<h1>EVERSOURCE ENERGY</h1> <p>M183, 115kV LINE PUBLIC LAND CROSSING, PLAN DOVER, NEW HAMPSHIRE EXHIBIT 3</p>	T 1
	DRAWN GBS
	ENGINEER SAC
	CHECKED SAC
	APPROVED SAC
	DATE 01/09/2023
SCALE AS SHOWN	DRAWING NO. 04054-81001

FILE: 04054-81001.DWG	IMAGE:
-----------------------	--------



**PROFILE VIEW**  
SCALE: HORZ 1" = 200'  
VERT 1" = 20'



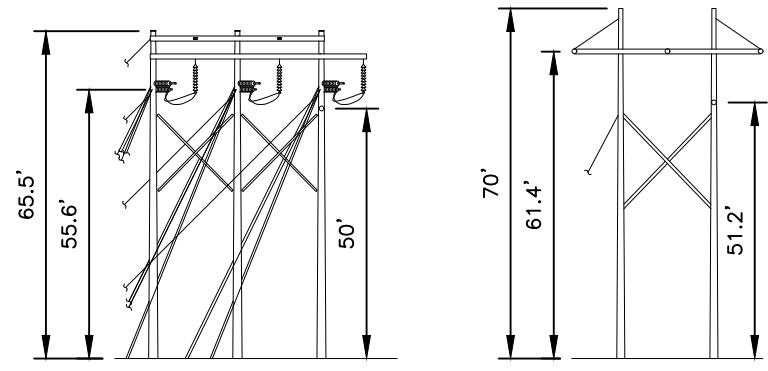
**PLAN VIEW**  
SCALE: 1" = 200'

**LEGEND:**

- #88 STRUCTURE (WITH GUYS)
- PROPERTY BOUNDARY
- M183 LINE 115KV LINE, C OF CONSTRUCTION
- LIMITS OF EVERSOURCE RIGHT OF WAY
- WATERBODY

STRUCTURE LOCATION		
STRUCTURE	LONGITUDE	LATITUDE
87	-70.86334596	43.19601681
88	-70.86357657	43.19737934

NEC VERTICAL CLEARANCE (FT) FROM TABLE 232.1, C2-2012		
NATURE OF SURFACE UNDERNEATH WIRES, CONDUCTORS OR CABLES	NEUTRAL / ADSS	115kV
WATER AREAS SUITABLE FOR SAIL BOATING AREA OF OVER 2000 ACRES	37.5	42.1



**STRUCTURE 87**  
TYPE DA  
STR 87: IS A EVERSOURCE TYPE DA, SINGLE CIRCUIT WOOD POLE DEAD END ANGLE, HORIZONTAL CONFIG., GUYED

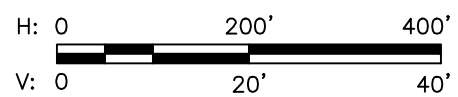
**STRUCTURE 88**  
TYPE T-STRAIN  
STR 88: IS A EVERSOURCE TYPE T-STRAIN, SINGLE CIRCUIT STEEL H-FRAME DEAD END, HORIZONTAL CONFIG., GUYED

**STRUCTURE DETAIL**  
SCALE: NTS

CABLE SCHEDULE						
WIRE	QTY OF CABLES	DESCRIPTION	DESIGN CONDITIONS			
			MAX DESIGN TENSION (lb)	TEMP (°F)	ICE (in)	WIND (psf)
CONDUCTOR	3	ACSR, 795 kcmil 31/1, COOT	9000	0	0.5	4
STATIC	2	7 No. 8 AW	5500	0	0.5	4
ADSS	1	64 FIBER ADSS	4000	0	0.5	4

**NOTES:**

1. PARCEL INFORMATION PROVIDED BY NH GRANIT.
2. ELEVATIONS REFERENCED TO THE NORTH AMERICAN VERTICAL DATUM OF 1988.
3. THE 100 YEAR FLOOD ELEVATION FROM THE FEMA FLOOD MAP SERVICE CENTER, NATIONAL FLOOD HAZARD LAYER FIRMETTE, 9/30/2015.



T	2
DRAWN	GBS
ENGINEER	SAC
CHECKED	SAC
APPROVED	SAC
DATE	01/09/2023

**M183, 115kV LINE  
COCHECO RIVER, PUBLIC WATER CROSSING  
DOVER, NEW HAMPSHIRE  
EXHIBIT 4**

SCALE AS SHOWN	FILE: 04054-81002.DWG	DRAWING NO. 04054-81002
-------------------	-----------------------	----------------------------

DWG REV	EPN/DESCRIPTION	CONT/PE#	DATE	DRN	CHKD	APPR
2	REVISED EL VIEW, RESUBMIT TO NH DOE		02/23	GBS	SAC	SAC
1	ISSUED TO NH DOE		02/23	GBS	SAC	SAC