



PROVIDE OPENING IN GUARDRAIL (LOCATION TBD)

PROPOSED SWALE

GAS STATION

PROPOSED CULVERT (TYP.)

PARKING AREA

PROPOSED 10' WIDE MULTI USE TRAIL

PROPOSED BLOCK OR STONE RETAINING WALL

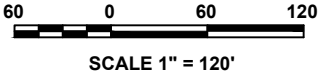
EAST MAIN STREET

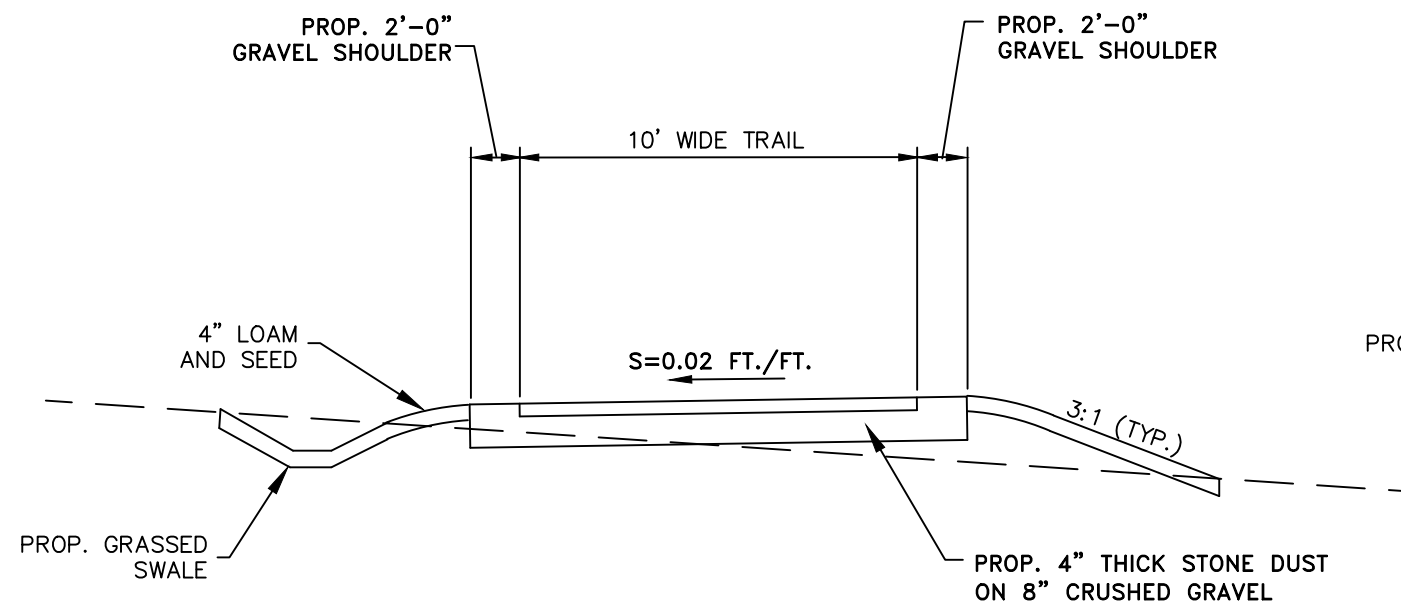
NH ROUTE 103

EAST MAIN STREET

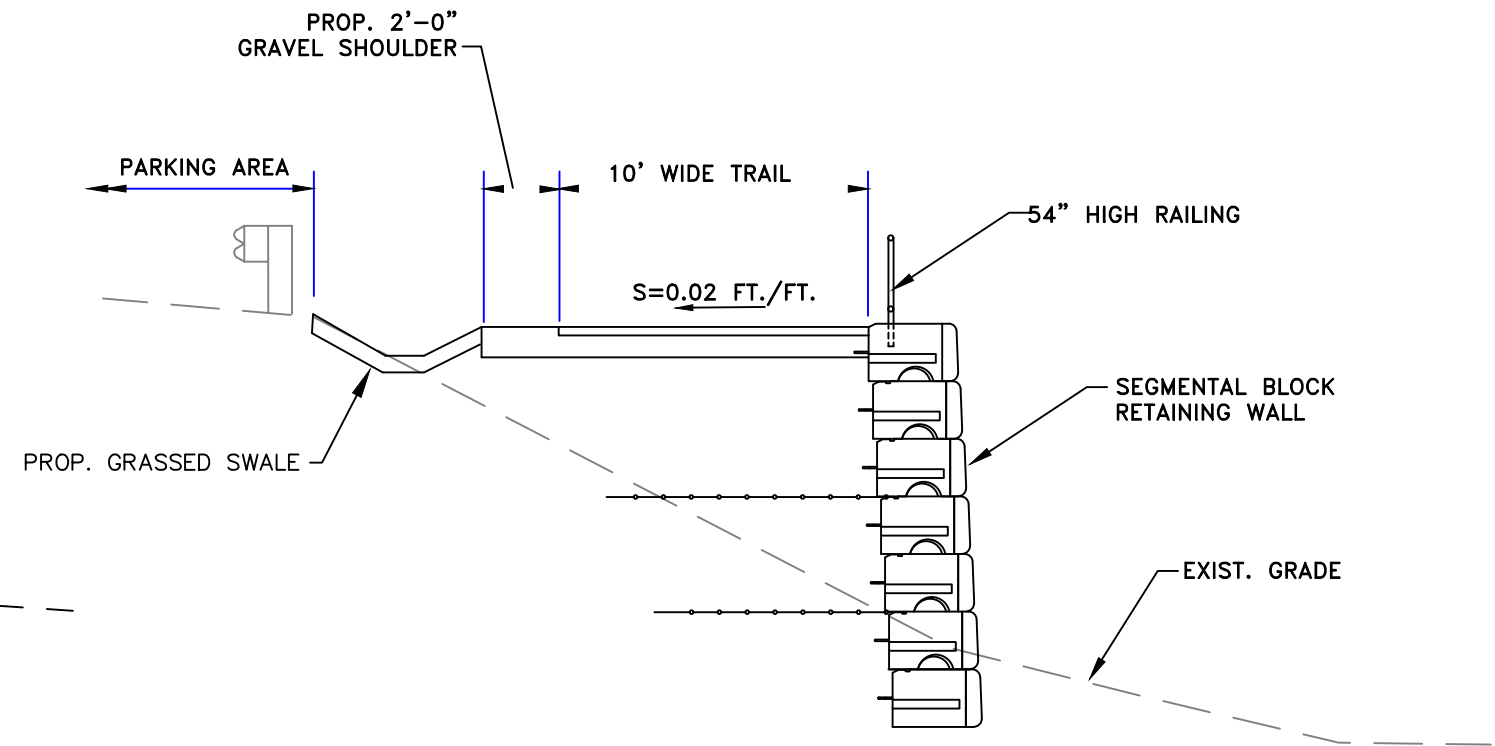
**BRADFORD RAIL TRAIL
BRADFORD, NH
June 2020**

CONCEPTUAL PLAN





TYPICAL SECTION - RAIL TRAIL
NOT TO SCALE



TYPICAL SECTION - RAIL TRAIL AT RETAINING WALL
NOT TO SCALE

BRADFORD RAIL TRAIL
BRADFORD, NH
June 2020

CONCEPTUAL DETAILS

