

LEGEND:

- V182 LINE:
- V182 STR:



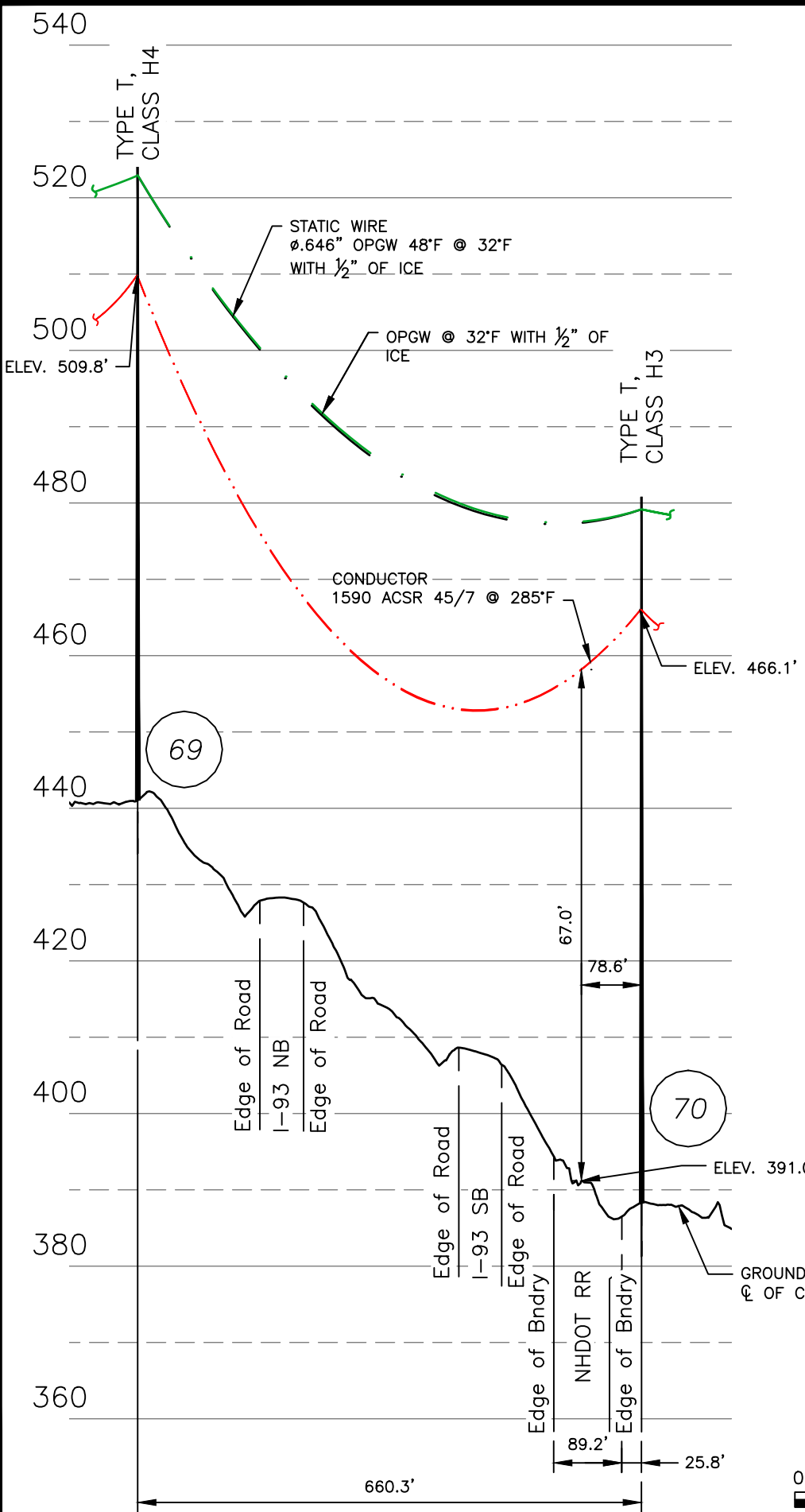
V182, 115kV LINE
 STATE LAND & WATER CROSSING
 CANTERBURY, FRANKLIN, NORTHFIELD, & WEBSTER NEW HAMPSHIRE
 EXHIBIT 1

T	1
DRAWN NEB	
ENGINEER CRP	
CHECKED JJD	
APPROVED APS	
DATE 08/18/22	

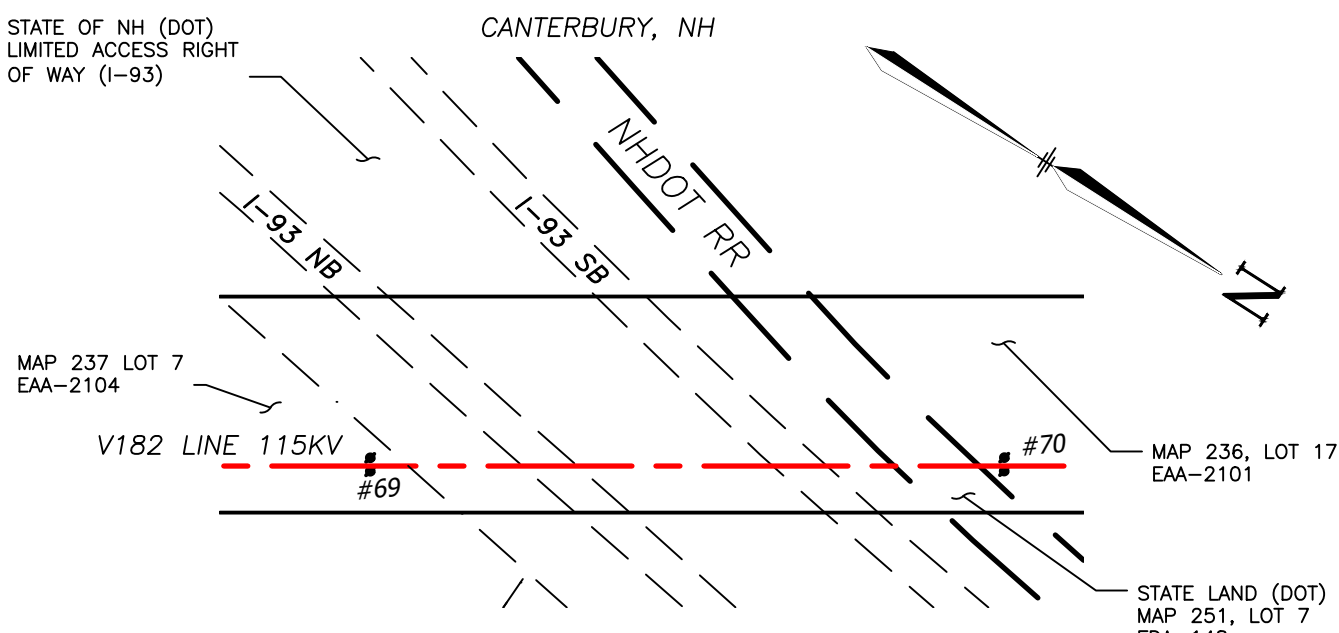
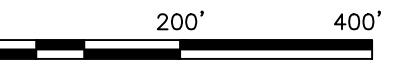
DWG REV	EPN/DESCRIPTION	CONT/PE#	DATE	DRN	CHKD	APPR
1	ISSUE TO DOE		4/11/23	NEB	JJD	APS

SCALE 1" = 10,000'	FILE: V18243500.DWG IMAGE:	DRAWING NO. V18243500
-----------------------	-------------------------------	--------------------------

4/11/2023 7:16 AM - NickB - C:\Users\NickB\appdata\local\temp\AcPublish_8032\V18243500.dwg - EXHIBIT 2 (LAND CROSSING) ES VER: 12/2016



PROFILE VIEW
SCALE: HORIZ 1" = 200'
VERT 1" = 20'



PLAN VIEW
SCALE: 1" = 200'

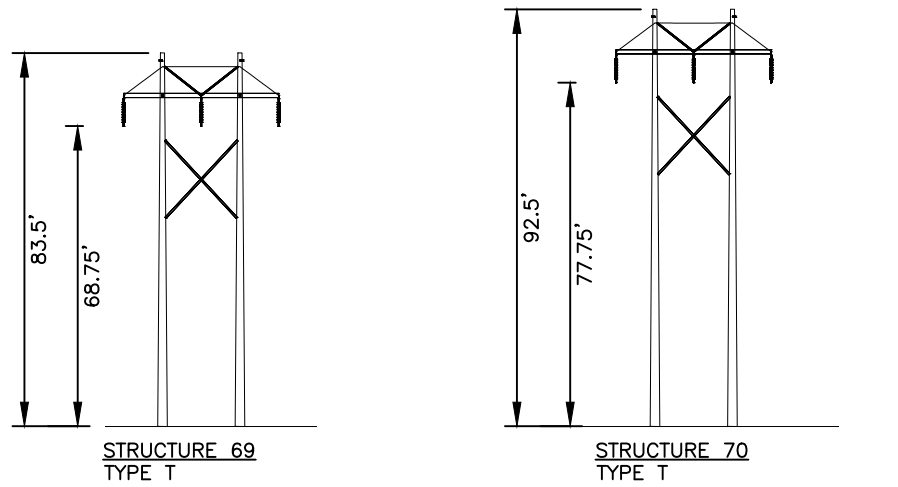
LEGEND:

- #69 STRUCTURE (WITH GUYS)
- V182 LINE 115KV LINE, C_E OF CONSTRUCTION
- LIMITS OF EVERSOURCE RIGHT OF WAY
- RAILROAD (SHOWING LIMITS OF ROW)
- ROAD, PAVED

- NOTES:**
1. PARCEL INFORMATION PROVIDE BY NH GRANIT.
 2. ELEVATIONS REFERENCED TO THE NORTH AMERICAN VERTICAL DATUM OF 1988

STRUCTURE LOCATION		
STRUCTURE	LONGITUDE	LATITUDE
69	-71.61274709	43.34870712
70	-71.61408434	43.35023322

NESC VERTICAL CLEARANCE (FT) FROM TABLE 232.1, C2-2012	
NATURE OF SURFACE UNDERNEATH WIRES, CONDUCTORS OR CABLES	115kV
TOP OF TRACK RAIL	28.1



STR 69: IS A EVERSOURCE TYPE T, SINGLE CIRCUIT STEEL TANGENT, HORIZONTAL CONFIG.
STR 70: IS A EVERSOURCE TYPE T, SINGLE CIRCUIT STEEL TANGENT, HORIZONTAL CONFIG.

STRUCTURE DETAIL
SCALE: NTS

CABLE SCHEDULE						
WIRE	QTY OF CABLES	DESCRIPTION	DESIGN CONDITIONS			
			MAX DESIGN TENSION (lb)	TEMP (°F)	ICE (in)	WIND (psf)
CONDUCTOR	3	ACSR, 1590 kcmil 45/7, LAPWING	12500	0	0.5	4
STATIC	1	7 No. 8 AW	4200	0	0.5	4
OPGW	1	48F 0.646"	5000	0	0.5	4

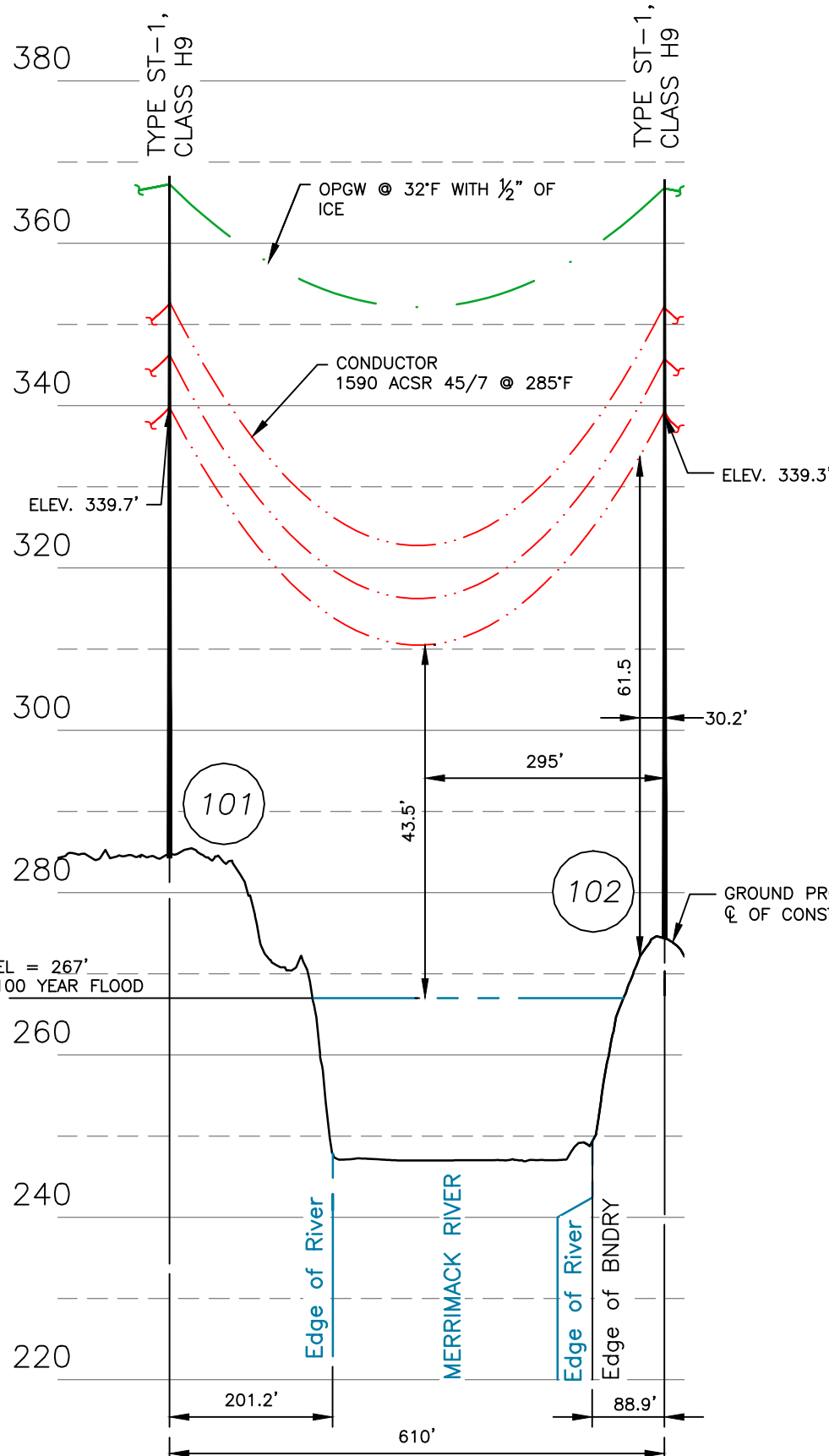
EVERSOURCE ENERGY

V182, 115kV LINE
STATE LAND CROSSING
CANTERBURY, NEW HAMPSHIRE
EXHIBIT 2

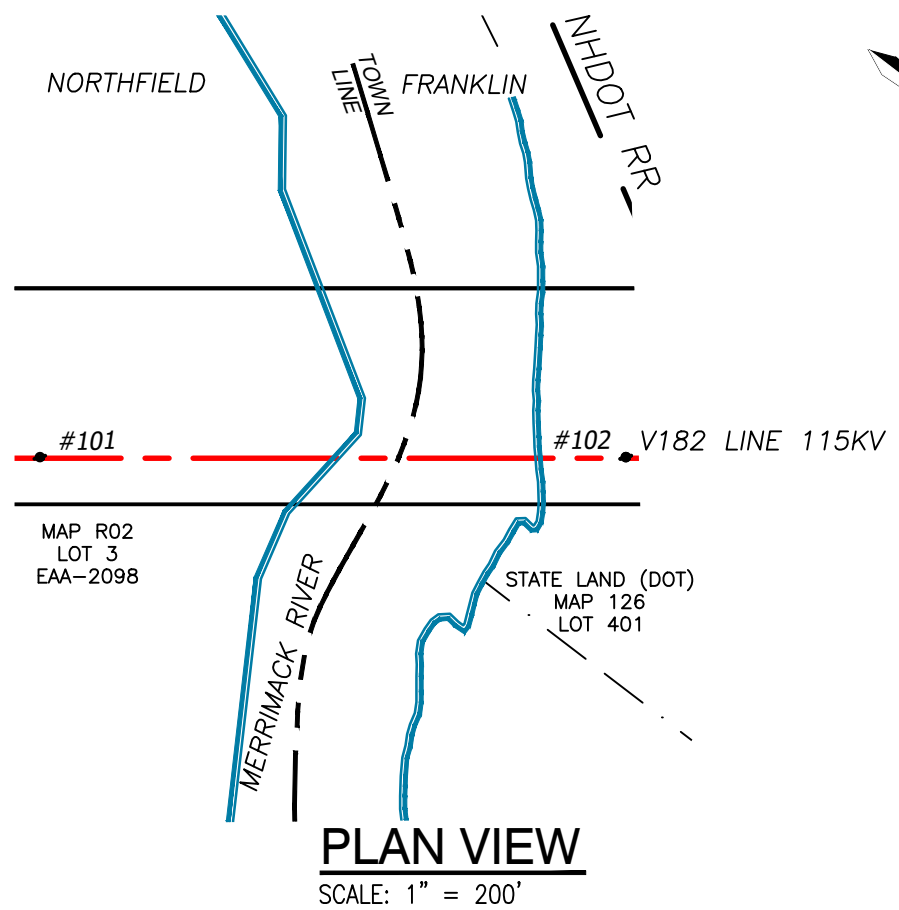
DRAWN NEB	T 1
ENGINEER CRP	CHECKED JJD
APPROVED APS	DATE 08/18/22

DWG REV	ISSUE TO DOE EPN/DESCRIPTION	CONT/PE#	DATE	DRN	CHKD	APPR
1	ISSUE TO DOE		4/11/23	NEB	JJD	APS

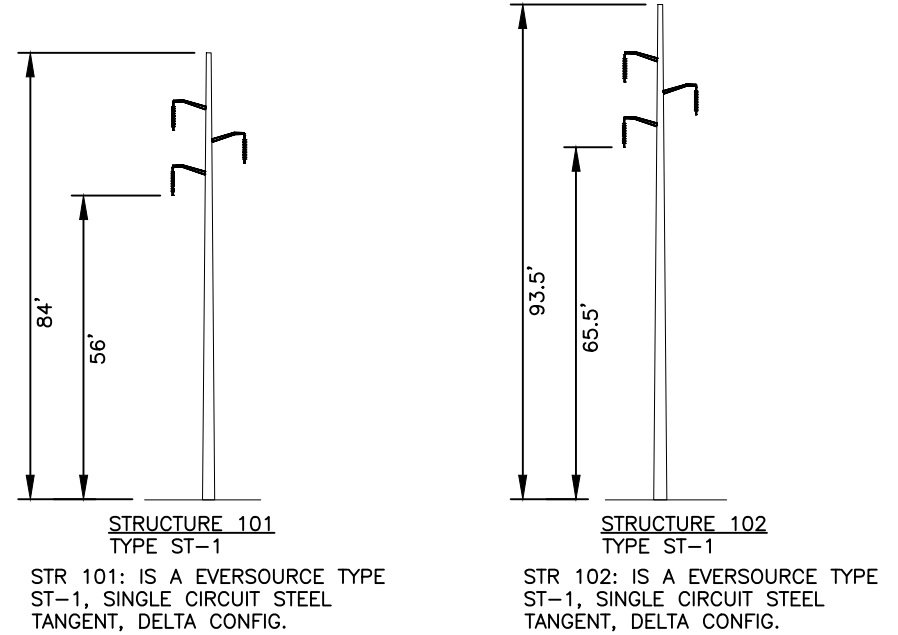
4/11/2023 7:16 AM - NickB - \\rlc-fs1\RLC-PD\Active Projects\02497_ES_TL_Engineering_and...V18243900.dwg - EXHIBIT 3 (LAND CROSSING) ES VER: 12/2016



PROFILE VIEW
SCALE: HORZ 1" = 200'
VERT 1" = 20'



PLAN VIEW
SCALE: 1" = 200'



STRUCTURE DETAIL
SCALE: NTS

LEGEND:

- #102 STRUCTURE
- V182 LINE 115KV
- LIMITS OF EVERSOURCE RIGHT OF WAY
- EDGE OF RIVER
- - - TOWN BOUNDARY
- · - · - PROPERTY BOUNDARY
- == RAILROAD (SHOWING LIMITS OF ROW)

- NOTES:**
1. PARCEL INFORMATION PROVIDE BY NH GRANIT.
 2. ELEVATIONS REFERENCED TO THE NORTH AMERICAN VERTICAL DATUM OF 1988
 3. 100 YEAR FLOOD ELEVATION FROM THE FEMA FLOOD MAP SERVICE CENTER, NATIONAL FLOOD HAZARD LAYER FIRMETTE, 04/19/2010.

STRUCTURE LOCATION		
STRUCTURE	LONGITUDE	LATITUDE
101	-71.64610071	43.38575570
102	-71.64749678	43.38708395

NESC VERTICAL CLEARANCE (FT)		FROM TABLE
232.1, C2-2012		
NATURE OF SURFACE UNDERNEATH WIRES, CONDUCTORS OR CABLES		115kv
WATER AREAS SUITABLE FOR SAIL BOATING INCLUDING LAKES, PONDS, RESERVOIRS, TIDAL WATER, RIVER, STREAMS, AND CANALS WITH AN UNUPSTRUCTED SURFACE AREA OF OVER 20 TO 200 ACRES		30.1
OTHER AREAS TRAVERSED BY VEHICLES SUCH AS CULTIVED, GRAZING, FOREST AND ORCHARD LANDS, INDUSTRIAL SITES, COMMERCIAL SITES, ECT.		20.1

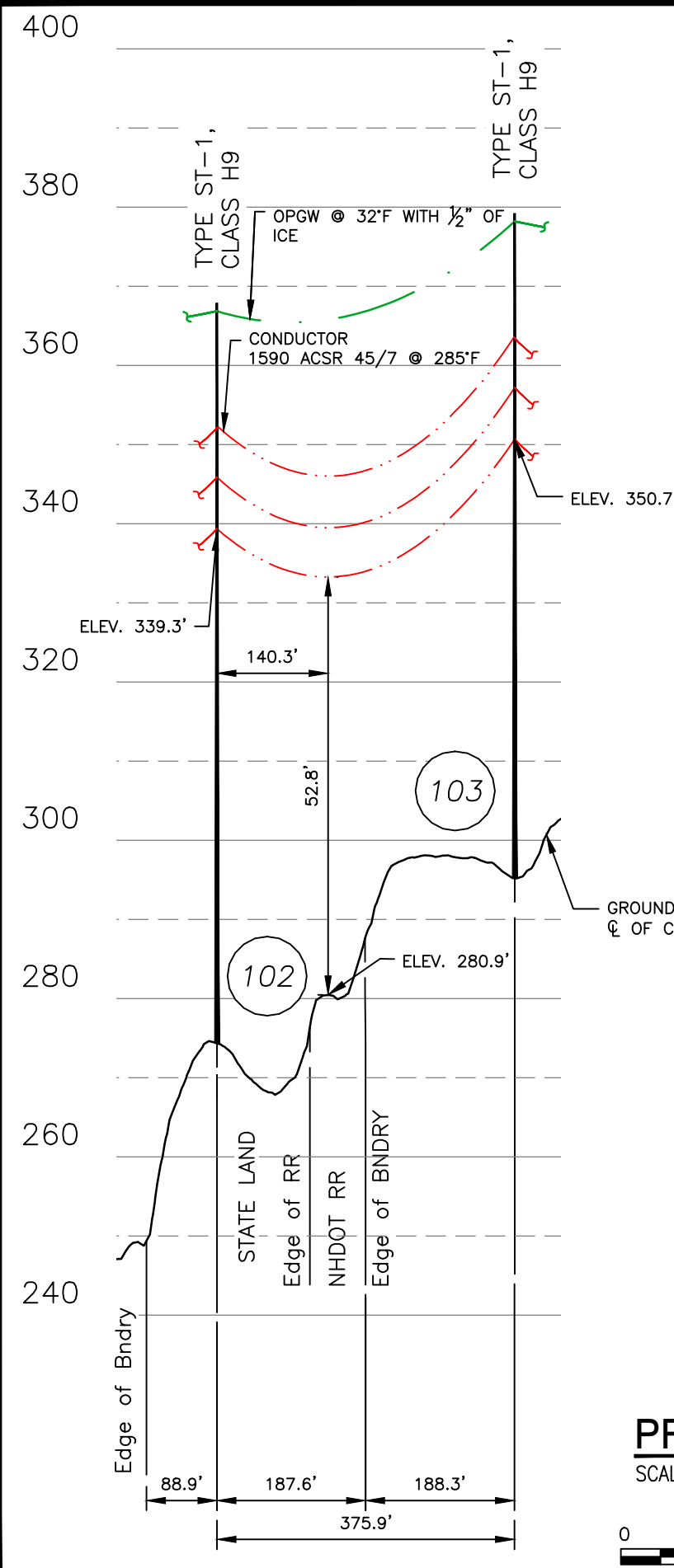
CABLE SCHEDULE						
WIRE	QTY OF CABLES	DESCRIPTION	DESIGN CONDITIONS			
			MAX DESIGN TENSION (lb)	TEMP (°F)	ICE (in)	WIND (psf)
CONDUCTOR	3	ACSR, 1590 kcmil 45/7, LAPWING	12500	0	0.5	4
OPGW	1	48F #0.646"	5000	0	0.5	4

V182, 115kV LINE
MERRIMACK RIVER, PUBLIC WATER & STATE LAND CROSSING
FRANKLIN/NORTHFIELD, NEW HAMPSHIRE
EXHIBIT 3

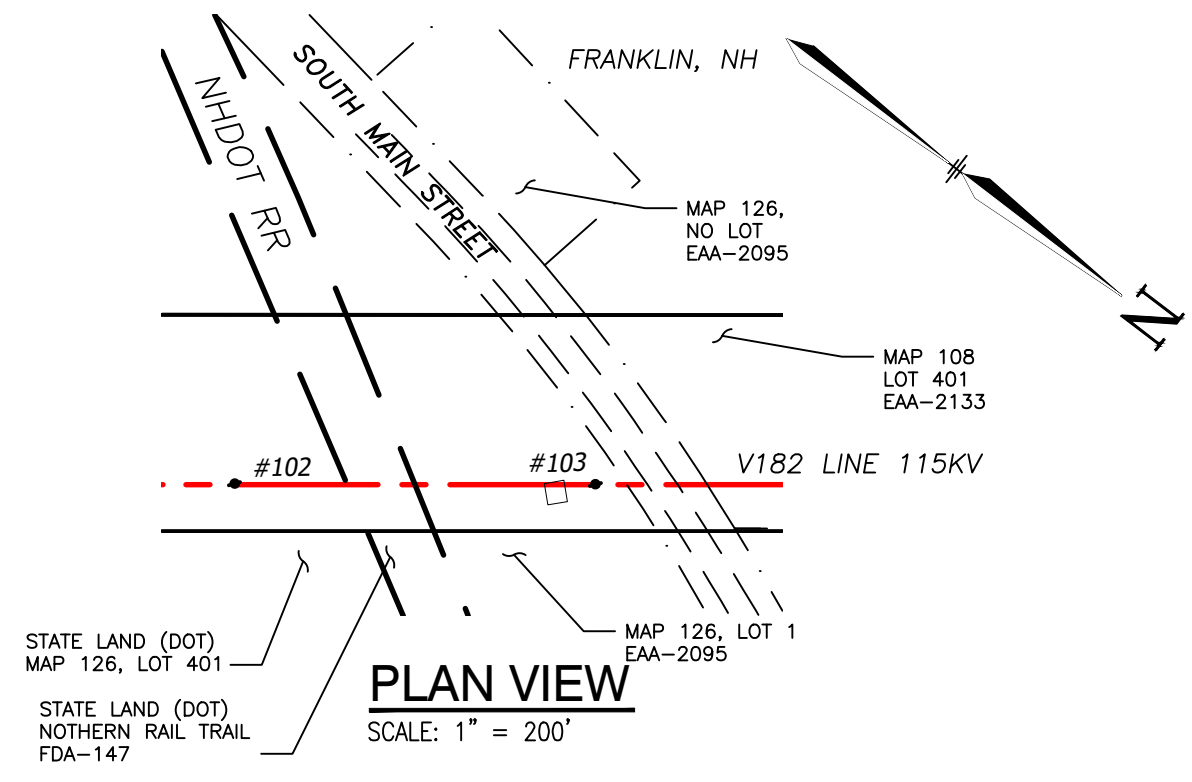
T	1
DRAWN	NEB
ENGINEER	CRP
CHECKED	JJD
APPROVED	APS
DATE	08/18/22

DWG REV	ISSUE TO DOE	EPN/DESCRIPTION	CONT/PE#	DATE	DRN	CHKD	APPR
1	ISSUE TO DOE			4/11/23	NEB	JJD	APS

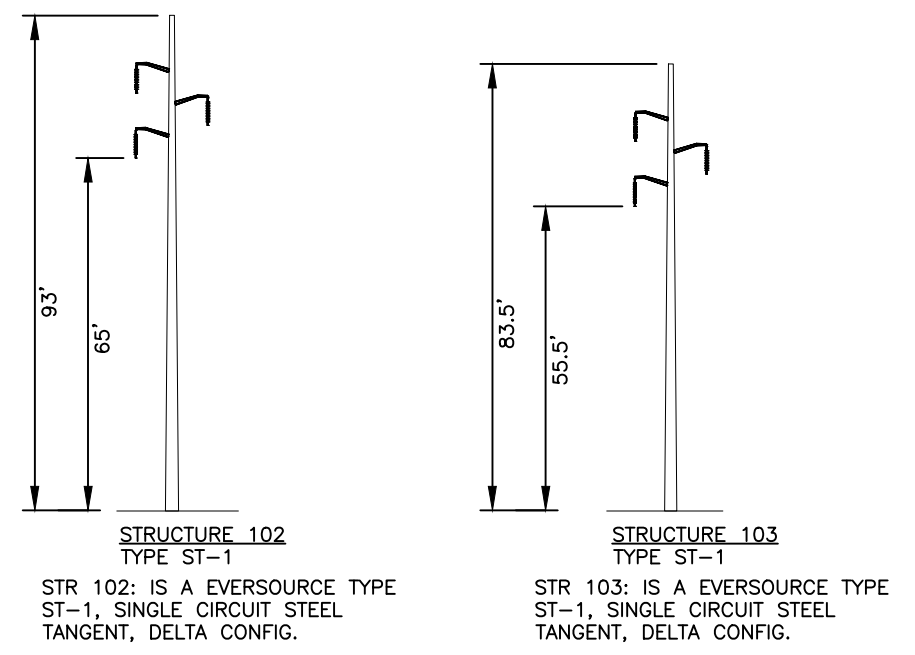
4/11/2023 7:16 AM - NickB - \\rlc-fs1\RLC-PD\Active Projects\02497_ES_TL_Engineering_and...V18243501.dwg - EXHIBIT 4 (LAND CROSSING) ES VER: 12/2016



PROFILE VIEW
 SCALE: HORZ 1" = 200'
 VERT 1" = 20'



PLAN VIEW
 SCALE: 1" = 200'



STRUCTURE DETAIL
 SCALE: NTS

LEGEND:

- #102 STRUCTURE
- V182 LINE 115KV
- LINE, C_E OF CONSTRUCTION
- LIMITS OF EVERSOURCE RIGHT OF WAY
- EDGE OF RIVER
- RAILROAD (SHOWING LIMITS OF ROW)
- PROPERTY BOUNDARY
- ROAD, PAVED

- NOTES:**
1. PARCEL INFORMATION PROVIDE BY NH GRANIT.
 2. ELEVATIONS REFERENCED TO THE NORTH AMERICAN VERTICAL DATUM OF 1988

STRUCTURE LOCATION		
STRUCTURE	LONGITUDE	LATITUDE
102	-71.64739678	43.38708395
103	-71.64835441	43.38790385

NESC VERTICAL CLEARANCE (FT) FROM TABLE 232.1, C2-2012	
NATURE OF SURFACE UNDERNEATH WIRES, CONDUCTORS OR CABLES	115kV
TOP OF TRACK RAIL	28.1
OTHER AREAS TRAVERSED BY VEHICLES SUCH AS CULTIVED, GRAZING, FOREST AND ORCHARD LANDS, INDUSTRIAL SITES, COMMERCIAL SITES, ECT.	20.1

CABLE SCHEDULE						
WIRE	QTY OF CABLES	DESCRIPTION	DESIGN CONDITIONS			
			MAX DESIGN TENSION (lb)	TEMP (°F)	ICE (in)	WIND (psf)
CONDUCTOR	3	ACSR, 1590 kcmil 45/7, LAPWING	12500	0	0.5	4
OPGW	1	48F Ø0.646"	5000	0	0.5	4

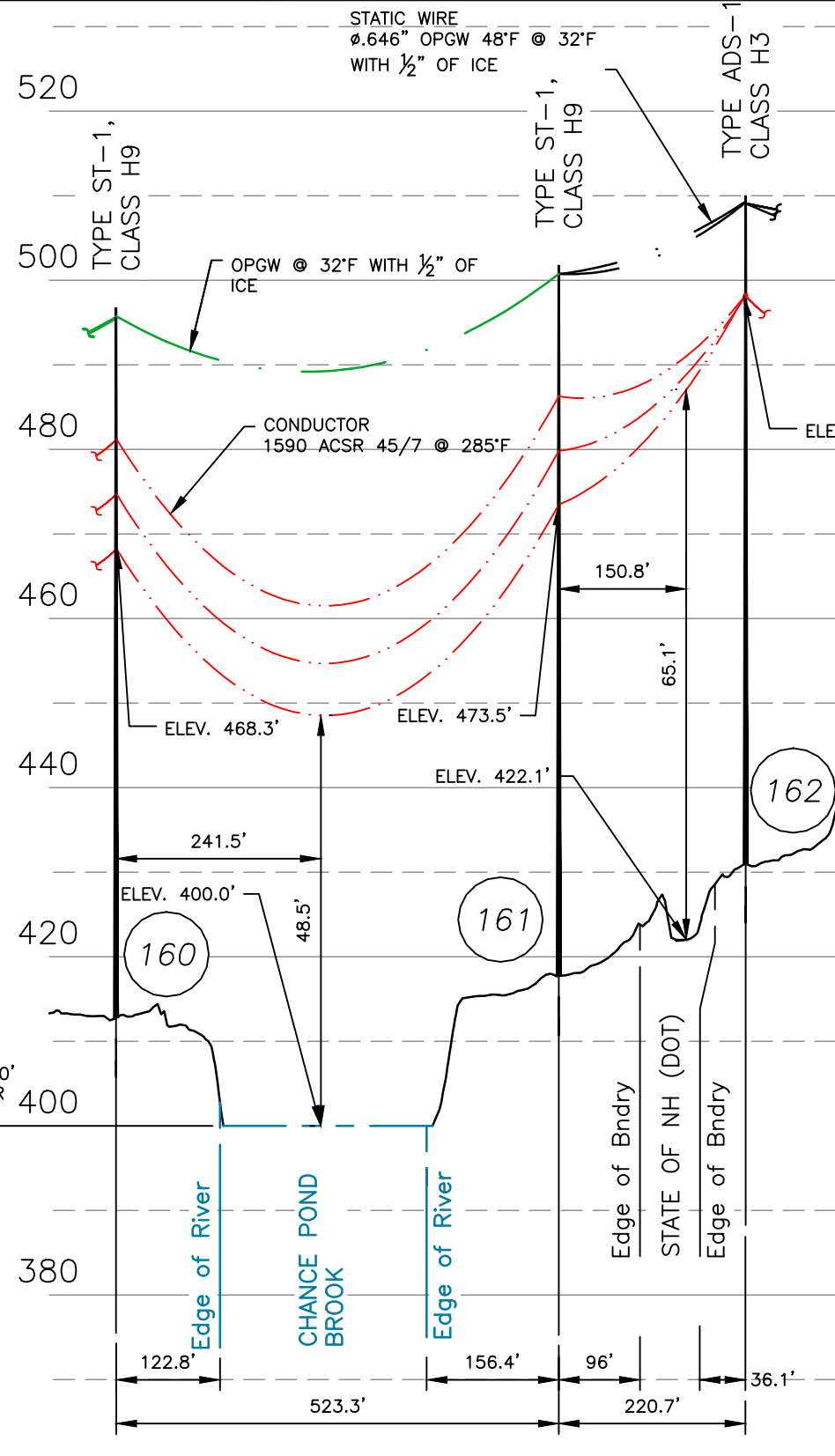
DWG REV	ISSUE TO DOE	EPN/DESCRIPTION	CONT/PE#	DATE	DRN	CHKD	APPR
1	ISSUE TO DOE			4/11/23	NEB	JJD	APS

EVERSOURCE ENERGY

V182, 115kV LINE
 STATE LAND CROSSING
 FRANKLIN, NEW HAMPSHIRE
 EXHIBIT 4

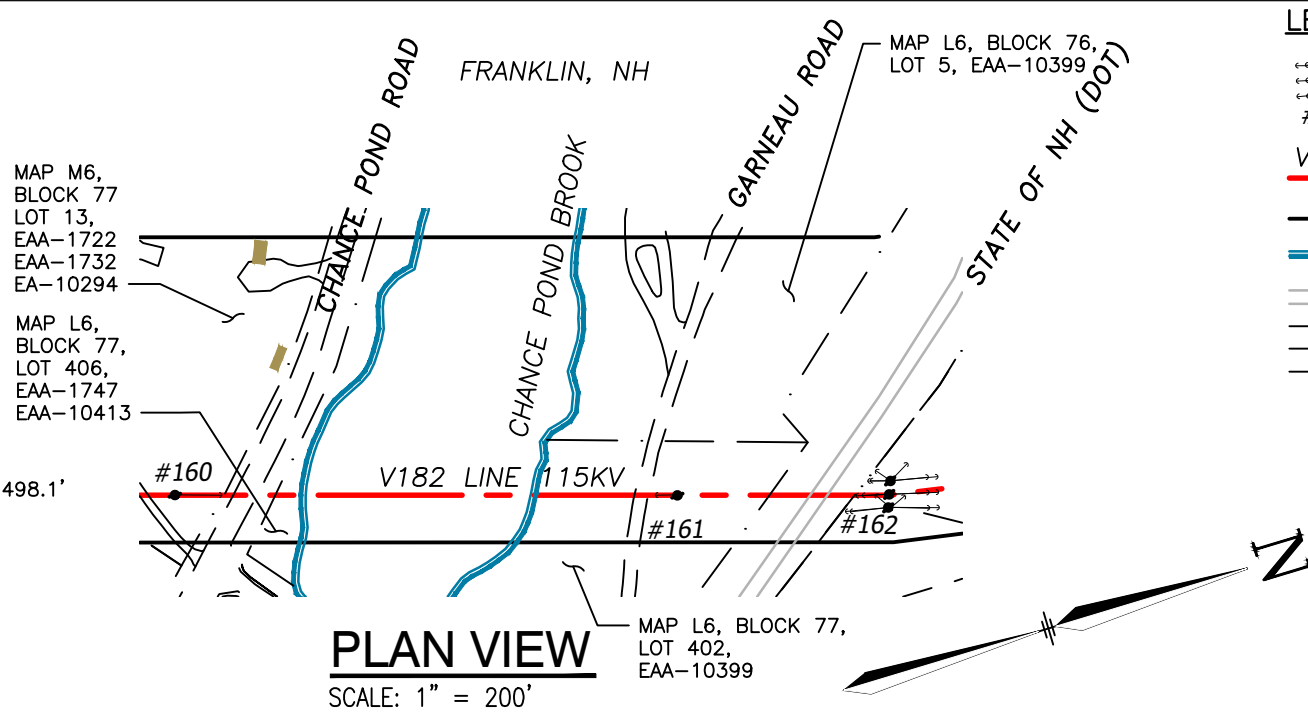
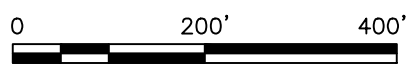
SCALE AS SHOWN	FILE: V18243501.DWG	DRAWING NO. V18243501
-------------------	---------------------	--------------------------

DRAWN NEB	T 1
ENGINEER CRP	
CHECKED JJD	
APPROVED APS	
DATE 08/18/22	



PROFILE VIEW

SCALE: HORZ 1" = 200'
VERT 1" = 20'



PLAN VIEW

SCALE: 1" = 200'

LEGEND:

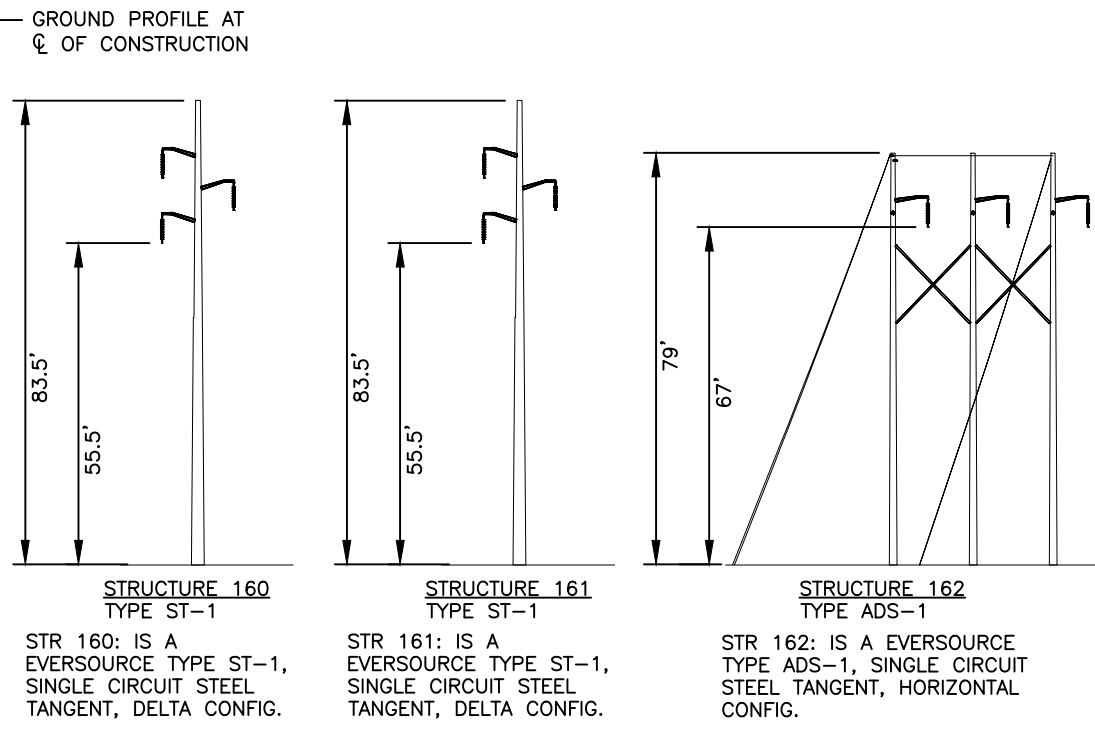
- STRUCTURE (WITH GUYS)
- #162
- V182 LINE 115KV
- LINE, C OF CONSTRUCTION
- LIMITS OF EVERSOURCE RIGHT OF WAY
- EDGE OF RIVER
- RAIL TRAIL
- PROPERTY BOUNDARY
- ROAD, PAVED

NOTES:

1. PARCEL INFORMATION PROVIDE BY NH GRANIT.
2. ELEVATIONS REFERENCED TO THE NORTH AMERICAN VERTICAL DATUM OF 1988
3. 100 YEAR FLOOD ELEVATION FROM THE FEMA FLOOD MAP SERVICE CENTER, NATIONAL FLOOD HAZARD LAYER FIRMETTE, 04/19/2010.

STRUCTURE LOCATION		
STRUCTURE	LONGITUDE	LATITUDE
160	-71.67470717	43.45324311
161	-71.67413678	43.45461742
162	-71.67390141	43.45519794

NESC VERTICAL CLEARANCE (FT) FROM TABLE 232.1, C2-2012	
NATURE OF SURFACE UNDERNEATH WIRES, CONDUCTORS OR CABLES	115kV
TOP OF TRACK RAIL	28.1
WATER AREAS NOT SUITABLE FOR SAIL BOATING OR WHERE SAIL BOATING IS PROHIBITED	18.6



STRUCTURE DETAIL

SCALE: NTS

CABLE SCHEDULE						
WIRE	QTY OF CABLES	DESCRIPTION	DESIGN CONDITIONS			
			MAX DESIGN TENSION (lb)	TEMP (°F)	ICE (in)	WIND (psf)
CONDUCTOR	3	ACSR, 1590 kcmil 45/7, LAPWING	12500	0	0.5	4
OPGW	1	48F #0.646"	5000	0	0.5	4
STATIC	1	7 No. 8 AW	3000	0	0.5	4

EVERSOURCE ENERGY

V182, 115kV LINE
STATE LAND AND CHANCE POND BROOK CROSSING
FRANKLIN, NEW HAMPSHIRE
EXHIBIT 5

DRAWN NEB	T 1
ENGINEER CRP	
CHECKED JJD	
APPROVED APS	
DATE 08/18/22	

DWG REV	ISSUE TO DOE	EPN/DESCRIPTION	CONT/PE#	DATE	DRN	CHKD	APPR
1	ISSUE TO DOE			4/11/23	NEB	JJD	APS