

**LEGEND:**

- V191 LINE: - - -
- V191 STR: 11

DWG REV	EPN/DESCRIPTION	CONT/PE#	DATE	DRN	CHKD	APPR
3	ENG CHANGE, STR 16 FORWARD 20'		12/21/21	GBS	CJN	CJN
2	RESUBMITTED TO PUC		10/21	GBS	CJN	JRS
1	ISSUED TO PUC		05/21	GBS	CJN	JRS

**EVERSOURCE ENERGY**

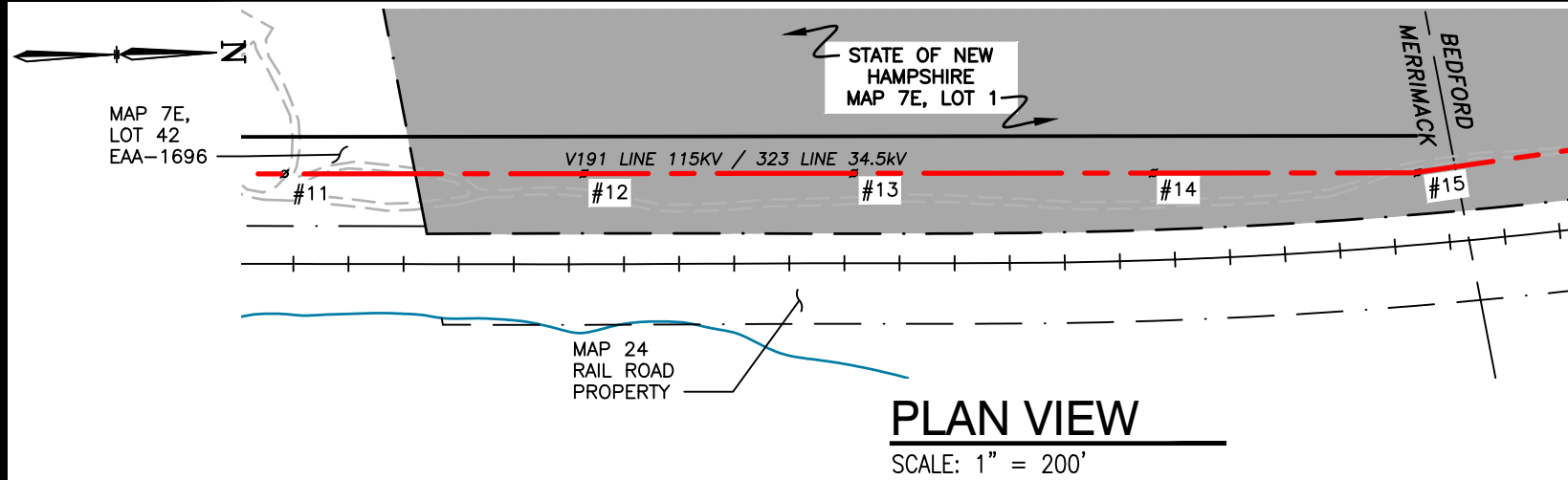
V191, 115kV & 323, 34.5kV LINE  
STATE OWNED LAND CROSSING, LOCATION PLAN  
MERRIMACK / BEDFORD, NEW HAMPSHIRE  
EXHIBIT 1

T	3
DRAWN GBS	
ENGINEER CJN	
CHECKED CJN	
APPROVED JRS	
DATE 05/07/21	

SCALE  
1" = 1500'

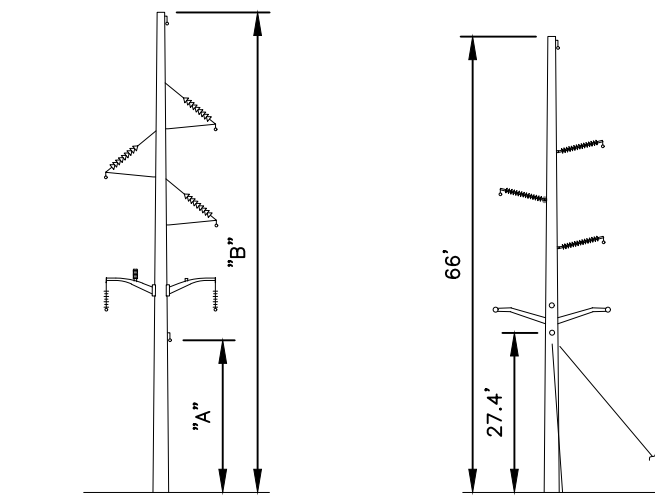
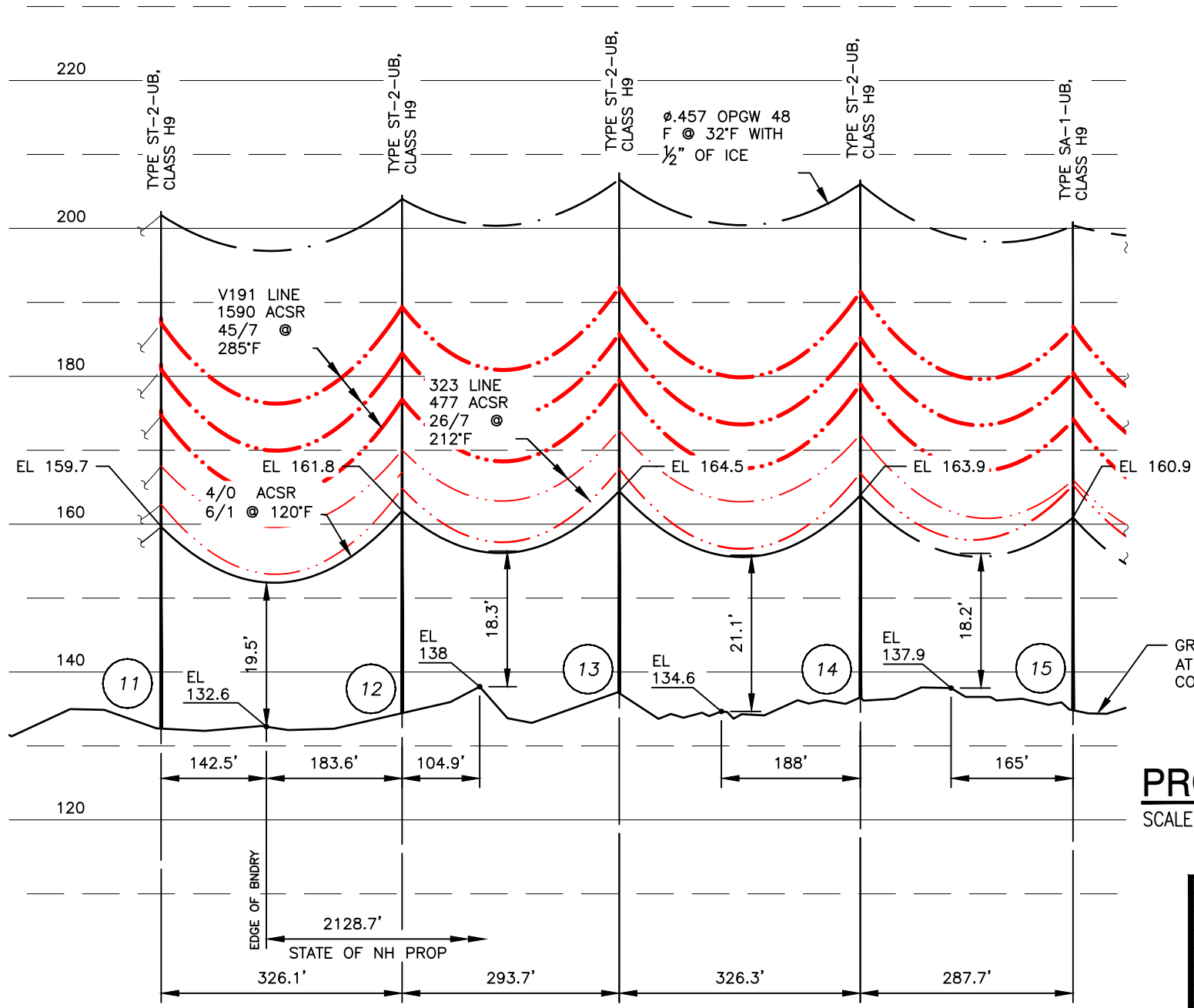
FILE: V19143501.DWG  
IMAGE:

DRAWING NO.  
V19143501



STRUCTURE LOCATION		
STRUCTURE	LONGITUDE	LATITUDE
11	-71.45465380	42.90732036
12	-71.45462863	42.90821486
13	-71.45460597	42.90902059
14	-71.45458079	42.90991567
15	-71.45456124	42.91070491

CABLE SCHEDULE						
WIRE	QTY OF CABLES	DESCRIPTION	DESIGN CONDITIONS			
			MAX DESIGN TENSION (lb)	TEMP (°F)	ICE (in)	WIND (psf)
CONDUCTOR	3	ACSR, 1590 kcmil 45/7, LAPWING	10000	0	0.5	4
CONDUCTOR	3	ACSR, 477 kcmil 26/7, HAWK	4600	0	0.5	4
NEUTRAL	1	4/0 ACSR 6/1, PENGUIN	2500	0	0.5	4
OPGW	1	24F Ø0.571 AFL	3300	0	0.5	4



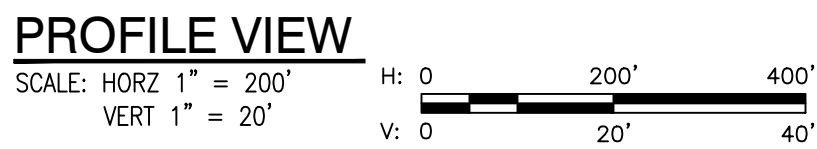
STR'S 11, 12, 13, 14:  
IS A EVERSOURCE TYPE ST-2-UB,  
DOUBLE CIRCUIT SINGLE STEEL POLE  
TANGENT, VERTICAL CONFIG

STR'S 15:  
IS A EVERSOURCE TYPE SA-1-UB,  
DOUBLE CIRCUIT SINGLE STEEL POLE  
TANGENT, VERTICAL CONFIG

- LEGEND:**
- #13 STRUCTURE
  - STATE OF NEW HAMPSHIRE PROPERTY
  - PROP BOUNDARY
  - V191 LINE 115KV LINE, C OF CONST
  - LIMITS OF EVERSOURCE RIGHT OF WAY
- NOTES:**
- STATE PARCEL INFORMATION PROVIDED BY NH GRANIT.
  - RAILROAD PARCEL INFORMATION PROVIDED BY LIDAR SCAN IN COMBINATION WITH RIGHT OF WAY AND TRACK MAP V.21/12, DATED JUNE 30, 1914.
  - ELEVATIONS REFERENCED TO THE NORTH AMERICAN VERTICAL DATUM OF 1988.

STRUCTURE DIMENSIONS		
STR	"A" (FT)	"B" (FT)
11	25.5	70.0
12	27.4	70.0
13	27.4	70.0
14	27.4	70.0

NESC VERTICAL CLEARANCE (FT) FROM TABLE 232.1			
NATURE OF SURFACE UNDERNEATH WIRES, CONDUCTORS OR CABLES	LINE VOLTAGE (kV)		
	NEUTRAL / ADSS	34.5	115
OTHER AREAS TRANSVERSED BY VEHICLES, SUCH AS CULTIVATED, GRAZING, FOREST, AND ORCHARD LANDS, INDUSTRIAL SITES, COMERCIAL SITES, ETC	15.5	18.5	20.1



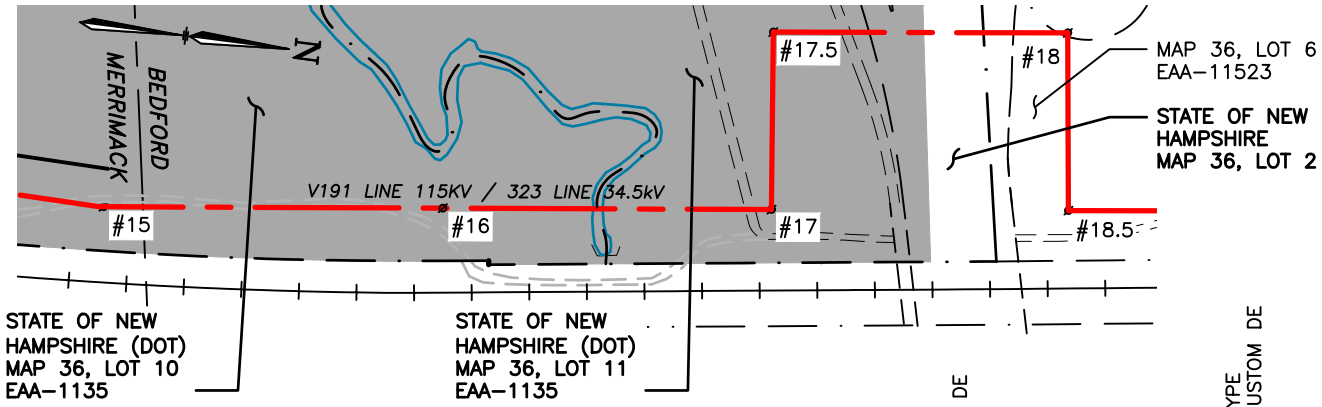
DWG REV	EPN/DESCRIPTION	CONT/PE#	DATE	DRN	CHKD	APPR
6	ENG CHANGE, STR 16 FORWARD 20'		12/21/21	GBS	CJN	CJN
5	UPDATED PER PUC		10/12/21	GBS	CJN	CJN
4	RESUBMITTED TO PUC		10/01/21	GBS	CJN	JRS
3	UPDATED PER PUC		09/21	GBS	CJN	JRS
2	UPDATED PER ENVIRONMENTAL GROUP		07/21	GBS	CJN	JRS
1	ISSUED TO PUC		05/21	GBS	CJN	JRS

**EVERSOURCE ENERGY**

V191, 115kV & 323, 34.5kV LINE  
STATE OWNED LAND CROSSING  
MERRIMACK / BEDFORD, NEW HAMPSHIRE  
EXHIBIT 2

SCALE: AS SHOWN FILE: V19143501.DWG DRAWING NO: V19143501

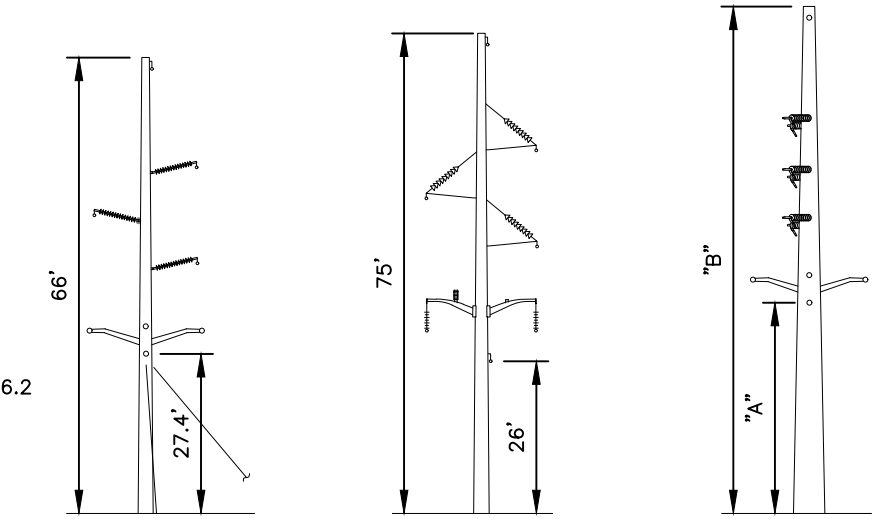
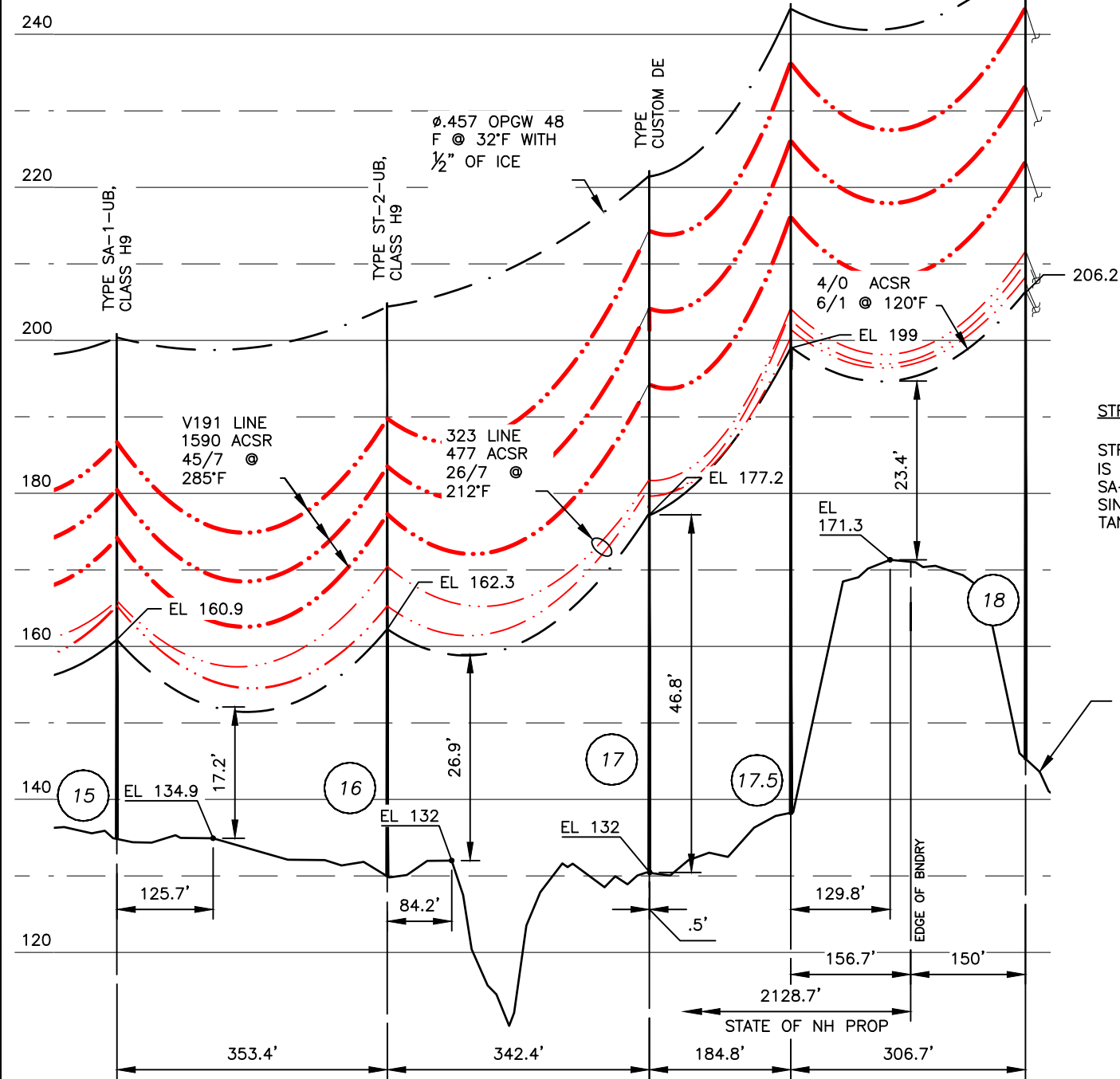
T	6
DRAWN	GBS
ENGINEER	JRS
CHECKED	SDR
APPROVED	JRS
DATE	05/07/21



**PLAN VIEW**  
SCALE: 1" = 200'

STRUCTURE LOCATION		
STRUCTURE	LONGITUDE	LATITUDE
15	-71.45456124	42.91070491
16	-71.45472170	42.91167240
17	-71.45487717	42.91259965
17.5	-71.45556239	42.91254095
18	-71.45570355	42.91337615

CABLE SCHEDULE						
WIRE	QTY OF CABLES	DESCRIPTION	DESIGN CONDITIONS			
			MAX DESIGN TENSION (lb)	TEMP (°F)	ICE (in)	WIND (psf)
CONDUCTOR	3	ACSR, 1590 kcmil 45/7, LAPWING	10000	0	0.5	4
CONDUCTOR	3	ACSR, 477 kcmil 26/7, HAWK	4600	0	0.5	4
NEUTRAL	1	4/0 ACSR 6/1, PENGUIN	2500	0	0.5	4
OPGW	1	24F Ø0.571 AFL	3300	0	0.5	4



**STRUCTURE TYPE SA-1-UB**  
STR'S 15: IS A EVERSOURCE TYPE SA-1-UB, DOUBLE CIRCUIT SINGLE STEEL POLE TANGENT, VERTICAL CONFIG

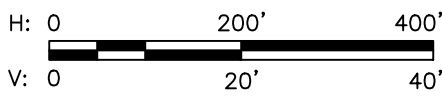
**STRUCTURE TYPE ST-2-UB**  
STR'S 16: IS A EVERSOURCE TYPE ST-2-UB, DOUBLE CIRCUIT SINGLE STEEL POLE TANGENT, VERTICAL CONFIG

**STRUCTURE TYPE CUSTOM DE**  
STR'S 17, 17.5, 18: IS A EVERSOURCE TYPE DE, CUSTOM ENGINEERED DOUBLE CIRCUIT SINGLE STEEL POLE DEAD END ANGLE, VERTICAL CONFIG

DE STRUCTURE DIMENSIONS		
STR	"A" (FT)	"B" (FT)
17	32.4	91.8
17.5	45	106
18	61	106

NESC VERTICAL CLEARANCE (FT) FROM TABLE 232.1			
NATURE OF SURFACE UNDERNEATH WIRES, CONDUCTORS OR CABLES	LINE VOLTAGE (kV)		
	NEUTRAL / ADSS	34.5	115
OTHER AREAS TRANSVERSED BY VEHICLES, SUCH AS CULTIVATED, GRAZING, FOREST, AND ORCHARD LANDS, INDUSTRIAL SITES, COMERCIAL SITES, ETC	15.5	18.5	20.1

**PROFILE VIEW**  
SCALE: HORZ 1" = 200'  
VERT 1" = 20'



DWG REV	EPN/DESCRIPTION	CONT/PE#	DATE	DRN	CHKD	APPR
5	ENG CHANGE, STR 16 FORWARD 20'		12/21/21	GBS	CJN	CJN
4	UPDATED PER PUC		10/12/21	GBS	CJN	CJN
3	RESUBMITTED TO PUC		10/01/21	GBS	CJN	JRS
2	CORRECTED ERRORS IN DIMENSION CHART		09/21	GBS	CJN	JRS
1	ISSUED TO PUC		05/21	GBS	CJN	JRS

**EVERSOURCE ENERGY**

V191, 115kV & 323, 34.5kV LINE  
STATE OWNED LAND CROSSING  
MERRIMACK / BEDFORD, NEW HAMPSHIRE  
EXHIBIT 3

SCALE: AS SHOWN  
FILE: V19143501.DWG  
DRAWING NO. V19143501

T	5
DRAWN	GBS
ENGINEER	JRS
CHECKED	SDR
APPROVED	JRS
DATE	05/07/21