

**LEGEND:**

- X178 LINE: - - -
- X178 STR: 15



**LINE X178, 115kV LINE**  
**STATE OWNED LAND AND PUBLIC WATER CROSSINGS, LOCATION PLAN**  
**CAMPTON TO WHITEFIELD, NEW HAMPSHIRE**  
**EXHIBIT 1**

T	3
DRAWN	KAT/TRC
ENGINEER	GEL/TRC
CHECKED	SEK/TRC
APPROVED	BRK/TRC
DATE	06/26/24

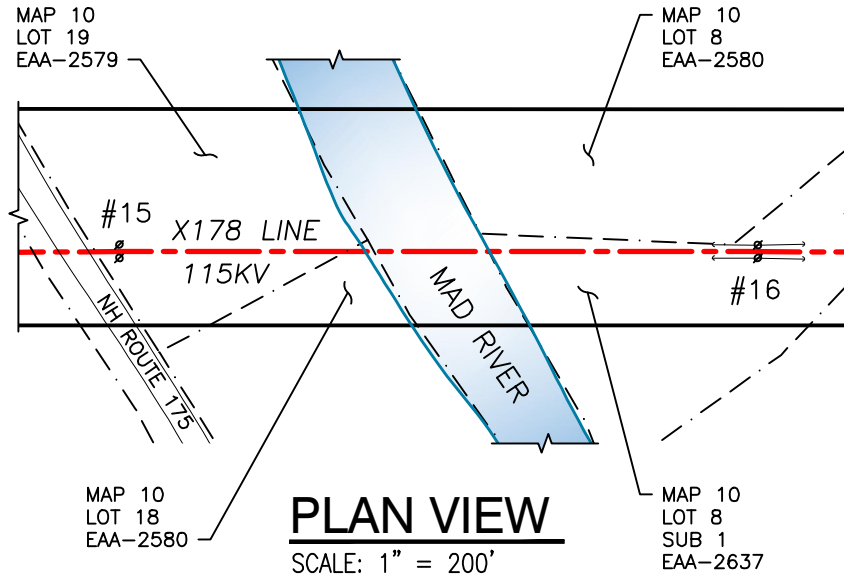
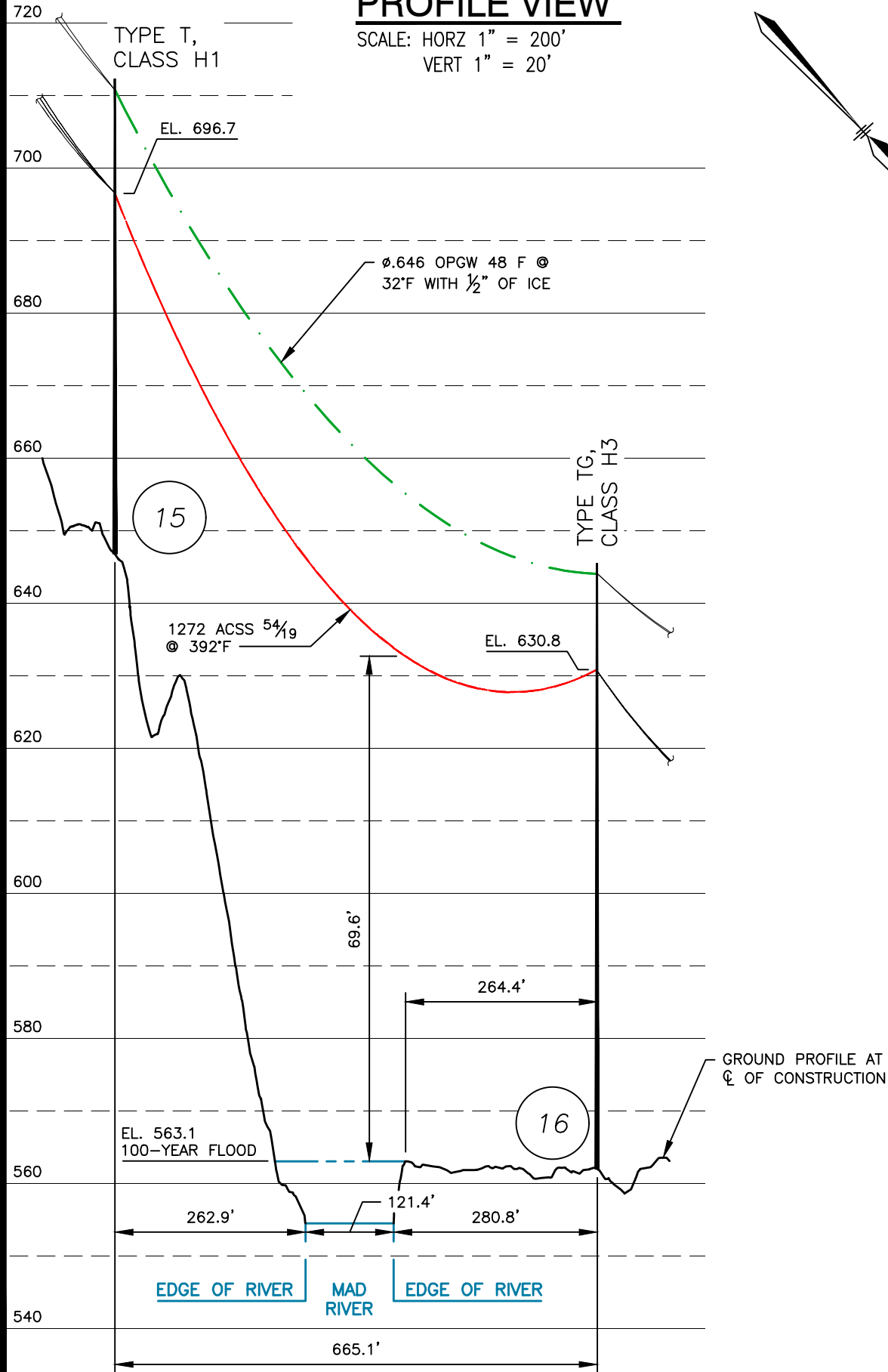
DWG REV	EPN/DESCRIPTION	CONT/PE#	DATE	DRN	CHKD	APPR
3	REISSUED TO NH DOE		07/24	GBS	APS	MRC
2	RE-ISSUED TO DOE		06/24	KAT	SEK	BRK
1	ISSUED TO DOE		02/24	KAT	SEK	BRK

SCALE 1" = 30,000'	FILE: 04100-81005.DWG IMAGE:	DRAWING NO. <b>04100-81005</b>
-----------------------	---------------------------------	-----------------------------------

7/10/2024 10:31 AM - sullivan - N:\Adept Work Area\NH Work Area\sulligx\Lines\115kv\115...04100-81005.dwg - Exhibit 2

### PROFILE VIEW

SCALE: HORZ 1" = 200'  
VERT 1" = 20'

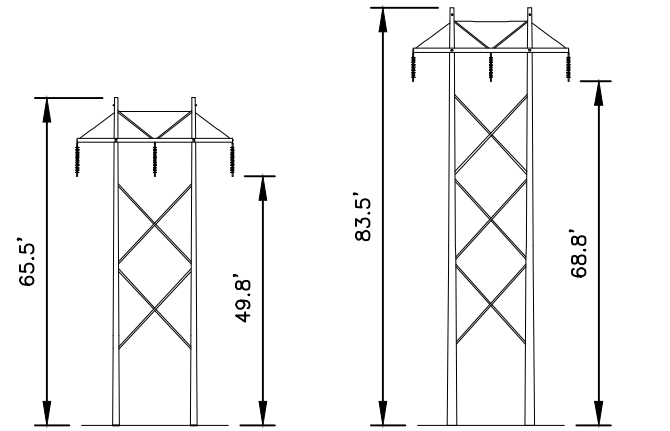


### LEGEND:

- #16 STRUCTURE (WITH GUYS)
- WATERBODY
- PROPERTY BOUNDARY
- X178 LINE 115KV LINE, CL OF CONSTRUCTION
- LIMITS OF EVERSOURCE RIGHT OF WAY

### NOTES:

1. PARCEL INFORMATION PROVIDED BY NH GRANIT.
2. ELEVATIONS REFERENCED TO THE NORTH AMERICAN VERTICAL DATUM OF 1988.
3. THE 100 YEAR FLOOD ELEVATION FROM THE FEMA FLOOD MAP SERVICE CENTER, NATIONAL FLOOD HAZARD LAYER FIRMETTE, 03/23/2020 IS A ZONE A. THE ELEVATION WAS DEVELOPED THROUGH CONTOUR INTERPOLATION AS DEFINED IN THE FEMA APPROXIMATE ZONE A AREAS, A GUIDE FOR OBTAINING AND DEVELOPING BASE (100 YEAR) FLOOD ELEVATIONS, SECTION V. DEVELOPING BASE (100 YEAR) FLOOD ELEVATIONS.



STRUCTURE 15  
TYPE T

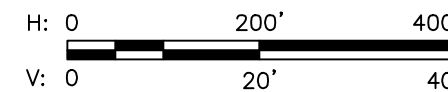
STR 15: IS AN EVERSOURCE TYPE T, SINGLE CIRCUIT STEEL TANGENT STRUCTURE, HORIZONTAL CONFIG.

STRUCTURE 16  
TYPE TG

STR 16: IS AN EVERSOURCE TYPE TG, SINGLE CIRCUIT STEEL TANGENT STRUCTURE, HORIZONTAL CONFIG., GUYED

### STRUCTURE DETAILS

SCALE: NTS



STRUCTURE LOCATION		
STRUCTURE	LONGITUDE	LATITUDE
15	-71.63771337	43.84453076
16	-71.63957957	43.84575755

NESC VERTICAL CLEARANCE (FT) FROM TABLE 232.1	
NATURE OF SURFACE UNDERNEATH WIRES, CONDUCTORS OR CABLES	115kV
WATER AREAS NOT SUITABLE FOR SAIL BOATING OR WHERE SAIL BOATING IS PROHIBITED	18.6

CABLE SCHEDULE						
WIRE	QTY OF CABLES	DESCRIPTION	DESIGN CONDITIONS			
			MAX DESIGN TENSION (lb)	TEMP (°F)	ICE (in)	WIND (psf)
CONDUCTOR	3	ACSS, 1272 kcmil 54/19, PHEASANT	10000	0	0.5	4
OPGW	2	48F 0.646 AFL S3-81/69/646	5500	0	0.5	4

DWG REV	EPN/DESCRIPTION	CONT/PE#	DATE	DRN	CHKD	APPR
2	REISSUED TO NH DOE		07/24	GBS	APS	MRC
1	ISSUED TO DOE		02/24	KAT	SEK	BRK

**EVERSOURCE ENERGY**

LINE X178, 115kV LINE  
MAD RIVER, PUBLIC WATER CROSSING  
CAMPTON, NEW HAMPSHIRE  
EXHIBIT 2

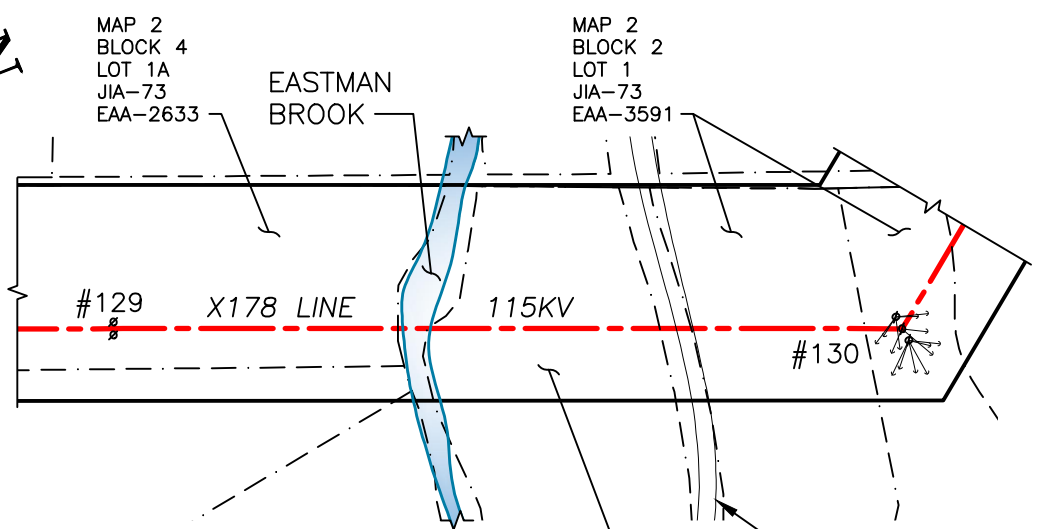
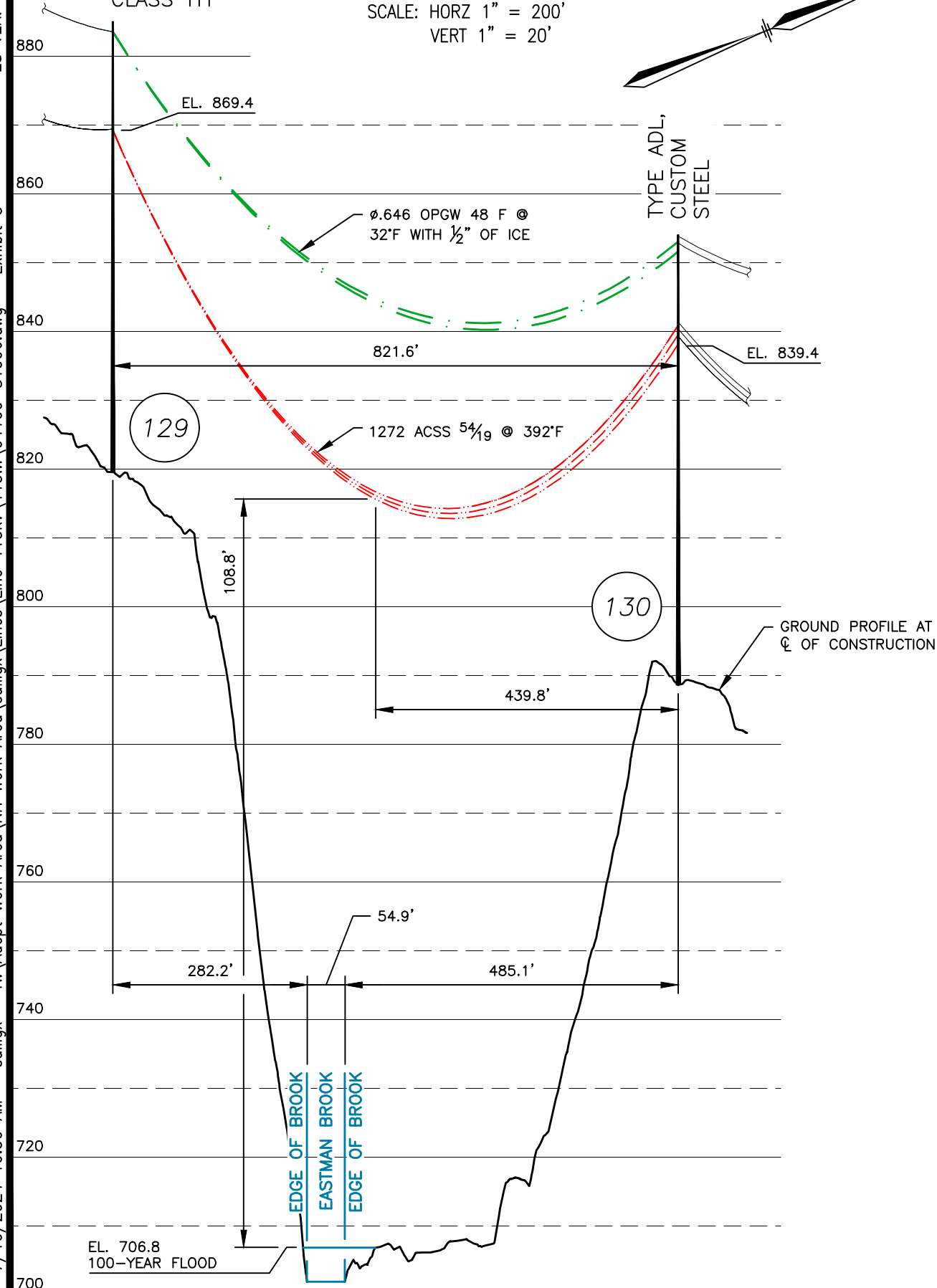
SCALE AS SHOWN	FILE: 04100-81005.DWG IMAGE:	DRAWING NO. <b>04100-81005</b>
-------------------	---------------------------------	-----------------------------------

T 2	DRAWN
KAT/TRC	ENGINEER
GEL/TRC	CHECKED
SEK/TRC	APPROVED
BRK/TRC	DATE
	02/12/24

7/10/2024 10:30 AM - sullivan - N:\Adept Work Area\NH Work Area\sullivan\Lines\115kv\115...04100-81006.dwg - Exhibit 3

### PROFILE VIEW

SCALE: HORZ 1" = 200'  
VERT 1" = 20'



### PLAN VIEW

SCALE: 1" = 200'

### LEGEND:

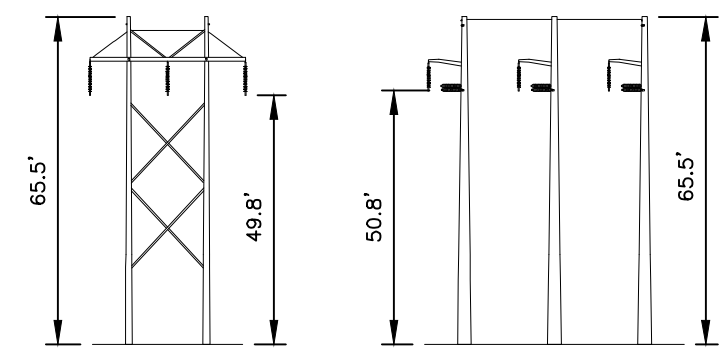
- #130 STRUCTURE (WITH GUYS)
- WATERBODY
- PROPERTY BOUNDARY
- X178 LINE 115KV
- LINE, C OF CONSTRUCTION
- LIMITS OF EVERSOURCE RIGHT OF WAY

### NOTES:

1. PARCEL INFORMATION PROVIDED BY NH GRANIT.
2. ELEVATIONS REFERENCED TO THE NORTH AMERICAN VERTICAL DATUM OF 1988.
3. THE 100 YEAR FLOOD ELEVATION FROM THE FEMA FLOOD MAP SERVICE CENTER, NATIONAL FLOOD HAZARD LAYER FIRMETTE, 03/23/2020 IS A ZONE A. THE ELEVATION WAS DEVELOPED THROUGH CONTOUR INTERPOLATION AS DEFINED IN THE FEMA APPROXIMATE ZONE A AREAS, A GUIDE FOR OBTAINING AND DEVELOPING BASE (100 YEAR) FLOOD ELEVATIONS, SECTION V. DEVELOPING BASE (100 YEAR) FLOOD ELEVATIONS.

STRUCTURE LOCATION		
STRUCTURE	LONGITUDE	LATITUDE
129	-71.66992837	43.96702647
130	-71.66879091	43.96912516

NESC VERTICAL CLEARANCE (FT) FROM TABLE 232.1	
NATURE OF SURFACE UNDERNEATH WIRES, CONDUCTORS OR CABLES	115kV
WATER AREAS NOT SUITABLE FOR SAIL BOATING OR WHERE SAIL BOATING IS PROHIBITED	18.6

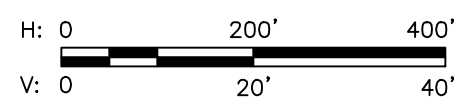


**STRUCTURE 129**  
TYPE T  
STR 129: IS AN EVERSOURCE TYPE T, SINGLE CIRCUIT STEEL TANGENT STRUCTURE, HORIZONTAL CONFIG.

**STRUCTURE 130**  
TYPE ADL  
STR 130: IS AN EVERSOURCE TYPE ADL, SINGLE CIRCUIT STEEL DEADEND STRUCTURE, HORIZONTAL CONFIG., GUYED

### STRUCTURE DETAILS

SCALE: NTS



CABLE SCHEDULE						
WIRE	QTY OF CABLES	DESCRIPTION	DESIGN CONDITIONS			
			MAX DESIGN TENSION (lb)	TEMP (°F)	ICE (in)	WIND (psf)
CONDUCTOR	3	ACSS, 1272 kcmil 54/19, PHEASANT	10000	0	0.5	4
OPGW	2	48F 0.646 AFL S3-81/69/646	5500	0	0.5	4

DWG REV	EPN/DESCRIPTION	CONT/PE#	DATE	DRN	CHKD	APPR
3	REISSUED TO NH DOE		07/24	GBS	APS	MRC
2	RE-ISSUED TO DOE		06/24	KAT	SEK	BRK
1	ISSUED TO DOE		02/24	KAT	SEK	BRK

## EVERSOURCE ENERGY

LINE X178, 115kV LINE  
EASTMAN BROOK, PUBLIC WATER CROSSING  
THORNTON, NEW HAMPSHIRE  
EXHIBIT 3

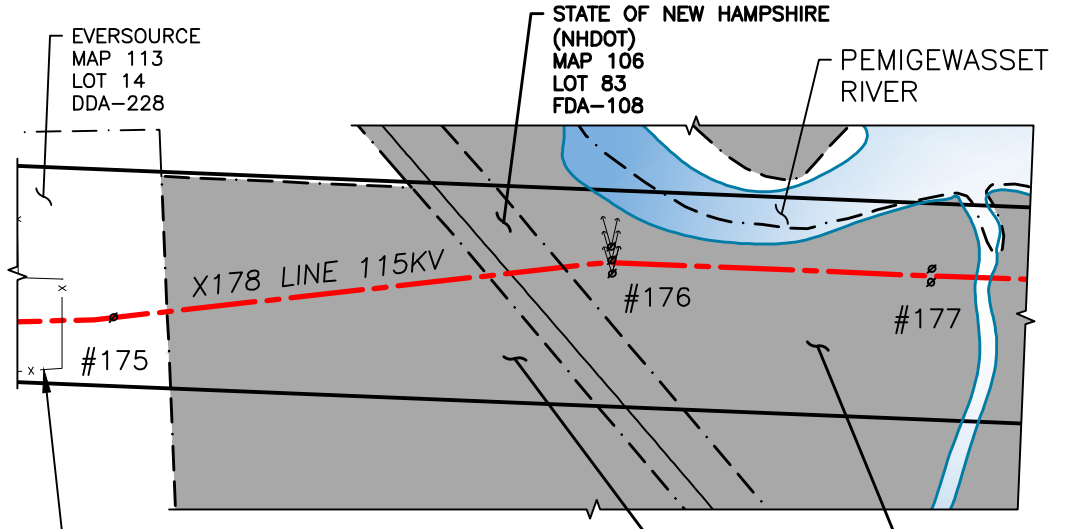
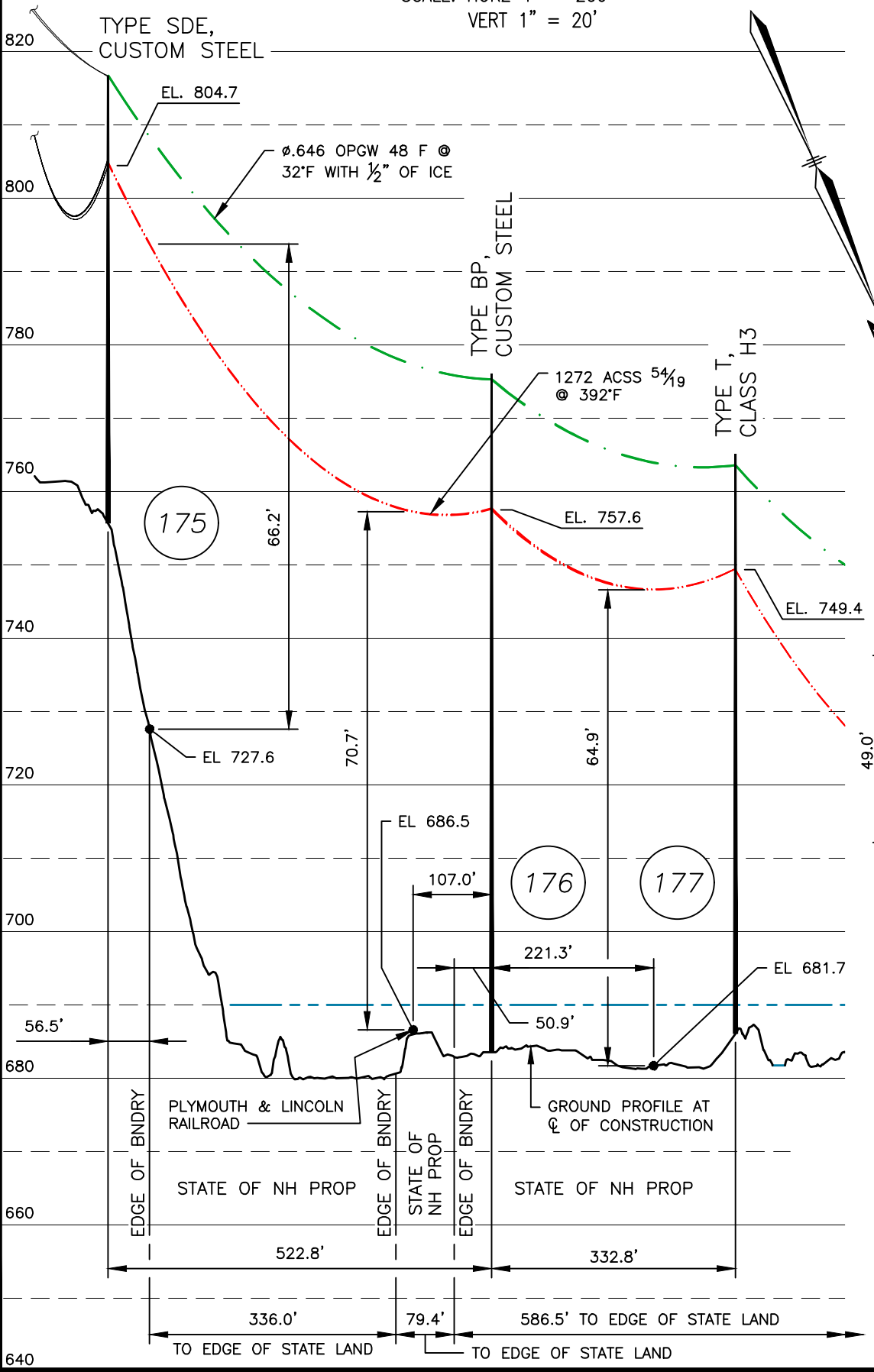
SCALE AS SHOWN	FILE: 04100-81006.DWG IMAGE:	DRAWING NO. <b>04100-81006</b>
-------------------	---------------------------------	-----------------------------------

T	3
DRAWN	KAT/TRC
ENGINEER	GEL/TRC
CHECKED	SEK/TRC
APPROVED	BRK/TRC
DATE	06/26/24

7/10/2024 10:30 AM - sullivan - N:\Adept Work Area\NH Work Area\sulligx\Lines\Line 115kV\115...04100-81001.dwg - Exhibit 4  
 ES VER: 12/2016

### PROFILE VIEW

SCALE: HORZ 1" = 200'  
 VERT 1" = 20'



### PLAN VIEW

SCALE: 1" = 200'

### LEGEND:

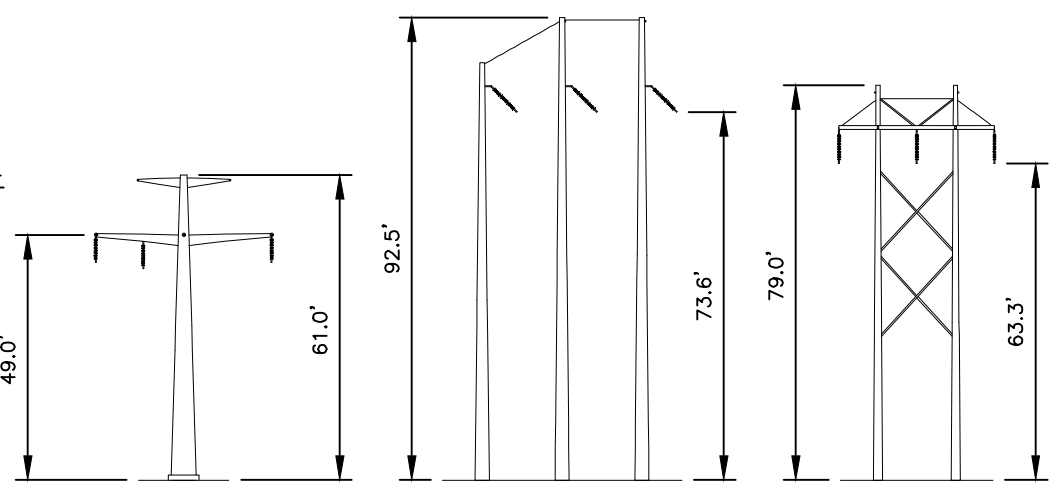
- #176 STRUCTURE (WITH GUYS)
- STATE OF NEW HAMPSHIRE PROPERTY
- WATERBODY
- PROPERTY BOUNDARY
- RAILROAD
- X178 LINE 115KV
- LIMITS OF EVERSOURCE RIGHT OF WAY

### NOTES:

1. PARCEL INFORMATION PROVIDED BY NH GRANIT.
2. ELEVATIONS REFERENCED TO THE NORTH AMERICAN VERTICAL DATUM OF 1988.

STRUCTURE LOCATION		
STRUCTURE	LONGITUDE	LATITUDE
175	-71.67743079	44.01169587
176	-71.67933040	44.01211156
177	-71.68048102	44.01249115

NESC VERTICAL CLEARANCE (FT) FROM TABLE 232.1	
NATURE OF SURFACE UNDERNEATH WIRES, CONDUCTORS OR CABLES	115kV
TRACK RAILS OF RAILROADS	28.1
OTHER AREAS TRAVERSED BY VEHICLES, SUCH AS CULTIVATED, GRAZING, FOREST, AND ORCHARD LANDS, INDUSTRIAL SITES, COMMERCIAL SITES, ETC	20.1



STRUCTURE 175  
TYPE SDE

STR 175: IS AN EVERSOURCE TYPE SDE, SINGLE CIRCUIT STEEL DEADEND STRUCTURE, HORIZONTAL CONFIG.

STRUCTURE 176  
TYPE BP

STR 176: IS AN EVERSOURCE TYPE BP, SINGLE CIRCUIT STEEL ANGLE STRUCTURE, HORIZONTAL CONFIG., GUYED

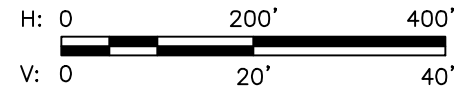
STRUCTURE 177  
TYPE T

STR 177: IS AN EVERSOURCE TYPE T, SINGLE CIRCUIT STEEL TANGENT STRUCTURE, HORIZONTAL CONFIG.

### STRUCTURE DETAILS

SCALE: NTS

CABLE SCHEDULE						
WIRE	QTY OF CABLES	DESCRIPTION	DESIGN CONDITIONS			
			MAX DESIGN TENSION (lb)	TEMP (°F)	ICE (in)	WIND (psf)
CONDUCTOR	3	ACSS, 1272 kcmil 54/19, PHEASANT	10000	0	0.5	4
OPGW	2	48F Ø0.646 AFL S3-81/69/646	5500	0	0.5	4



LINE X178, 115kV LINE  
 STATE OWNED LAND CROSSING  
 WOODSTOCK, NEW HAMPSHIRE  
 EXHIBIT 4

DWG REV	EPN/DESCRIPTION	CONT/PE#	DATE	DRN	CHKD	APPR
3	REISSUED TO NH DOE		07/24	GBS	APS	MRC
2	RE-ISSUED TO DOE		06/24	KAT	SEK	BRK
1	ISSUED TO DOE		02/24	KAT	SEK	BRK

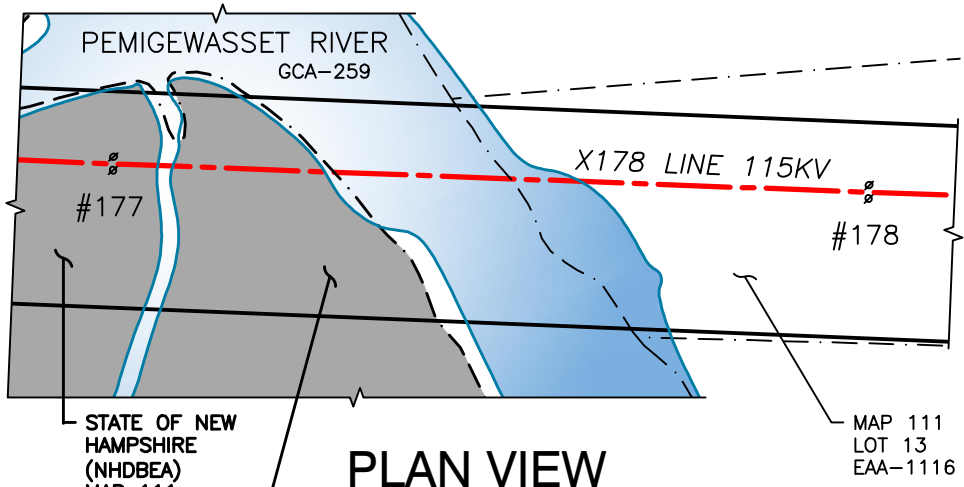
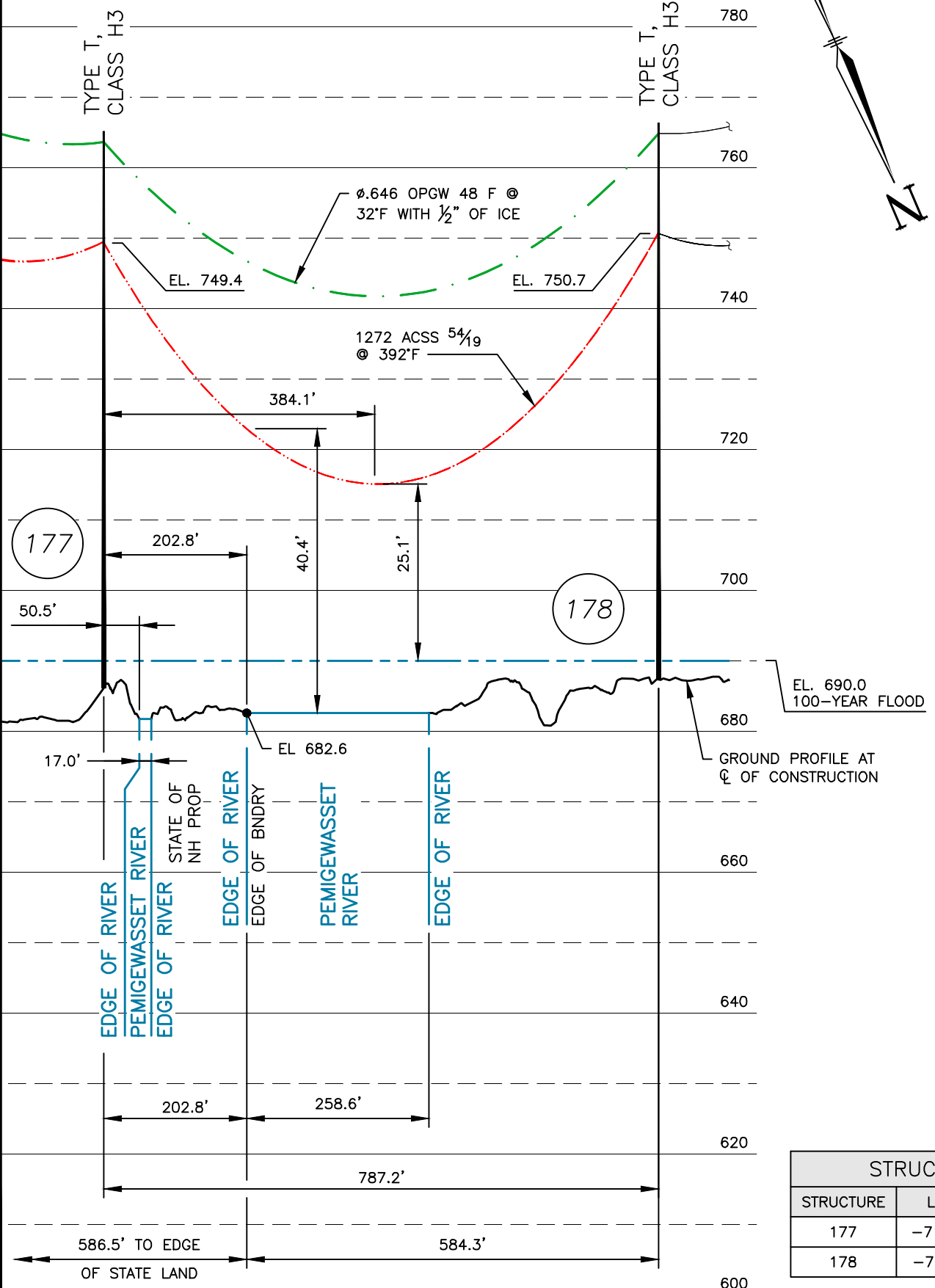
SCALE AS SHOWN	FILE: 04100-81001.DWG IMAGE:	DRAWING NO. 04100-81001
-------------------	---------------------------------	----------------------------

T	3
DRAWN	KAT/TRC
ENGINEER	GEL/TRC
CHECKED	SEK/TRC
APPROVED	BRK/TRC
DATE	06/26/24

7/10/2024 10:30 AM - sullivan - N:\Adept Work Area\NH Work Area\sulligx\Lines\115kv\115...04100-81001.dwg - Exhibit 5 ES VER: 12/2016

### PROFILE VIEW

SCALE: HORZ 1" = 200'  
VERT 1" = 20'



### PLAN VIEW

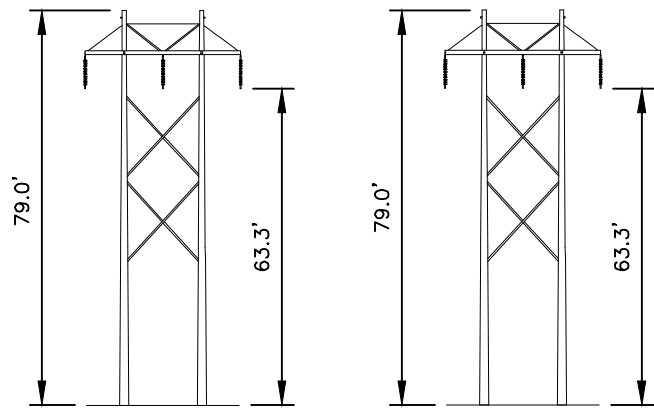
SCALE: 1" = 200'

### LEGEND:

- #177 STRUCTURE
- STATE OF NEW HAMPSHIRE PROPERTY
- WATERBODY
- PROPERTY BOUNDARY
- RAILROAD
- X178 LINE 115KV  
LINE,  $\phi$  OF CONSTRUCTION
- LIMITS OF EVERSOURCE RIGHT OF WAY

### NOTES:

1. PARCEL INFORMATION PROVIDED BY NH GRANIT.
2. ELEVATIONS REFERENCED TO THE NORTH AMERICAN VERTICAL DATUM OF 1988.
3. 100 YEAR FLOOD ELEVATION FROM THE FEMA FLOOD MAP SERVICE CENTER, NATIONAL FLOOD HAZARD LAYER FIRMETTE, 01/16/2020.



STRUCTURE 177  
TYPE T

STR 177: IS AN EVERSOURCE TYPE T, SINGLE CIRCUIT STEEL TANGENT STRUCTURE, HORIZONTAL CONFIG.

STRUCTURE 178  
TYPE T

STR 178: IS AN EVERSOURCE TYPE T, SINGLE CIRCUIT STEEL TANGENT STRUCTURE, HORIZONTAL CONFIG.

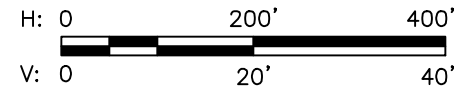
### STRUCTURE DETAILS

SCALE: NTS

NESC VERTICAL CLEARANCE (FT) FROM TABLE 232.1	
NATURE OF SURFACE UNDERNEATH WIRES, CONDUCTORS OR CABLES	115kV
OTHER AREAS TRAVERSED BY VEHICLES, SUCH AS CULTIVATED, GRAZING, FOREST, AND ORCHARD LANDS, INDUSTRIAL SITES, COMMERCIAL SITES, ETC	20.1
WATER AREAS NOT SUITABLE FOR SAIL BOATING OR WHERE SAIL BOATING IS PROHIBITED	18.6

CABLE SCHEDULE						
WIRE	QTY OF CABLES	DESCRIPTION	DESIGN CONDITIONS			
			MAX DESIGN TENSION (lb)	TEMP (°F)	ICE (in)	WIND (psf)
CONDUCTOR	3	ACSS, 1272 kcmil 54/19, PHEASANT	10000	0	0.5	4
OPGW	2	48F $\phi$ 0.646 AFL S3-81/69/646	5500	0	0.5	4

STRUCTURE LOCATION		
STRUCTURE	LONGITUDE	LATITUDE
177	-71.68048102	44.01249115
178	-71.68319411	44.01340185



LINE X178, 115kV LINE  
STATE-OWNED LAND & PEMIGEWASSET RIVER CROSSING  
WOODSTOCK, NEW HAMPSHIRE  
EXHIBIT 5

T	3
DRAWN	KAT/TRC
ENGINEER	GEL/TRC
CHECKED	SEK/TRC
APPROVED	BRK/TRC
DATE	06/26/24

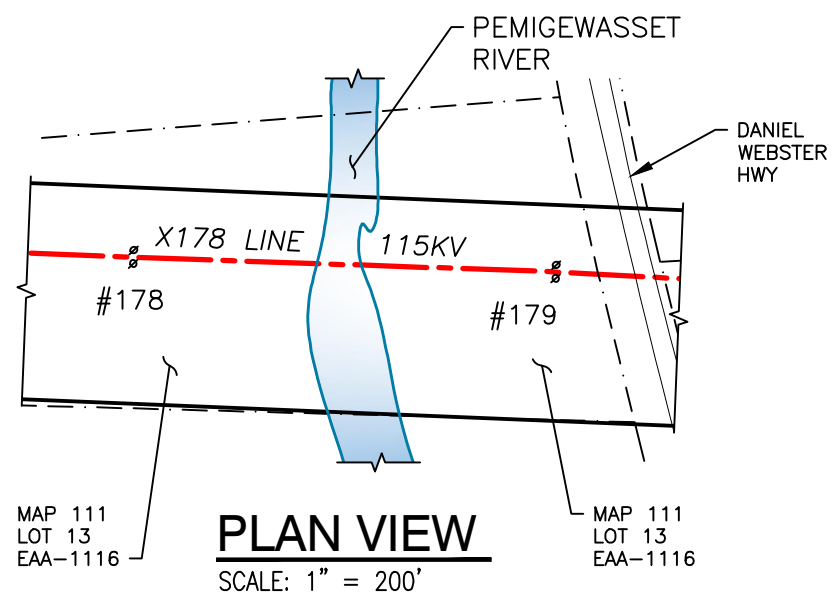
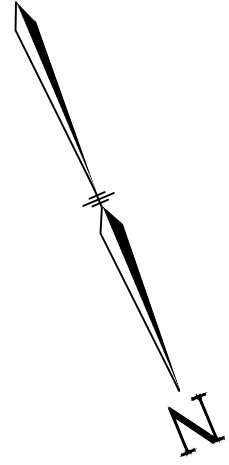
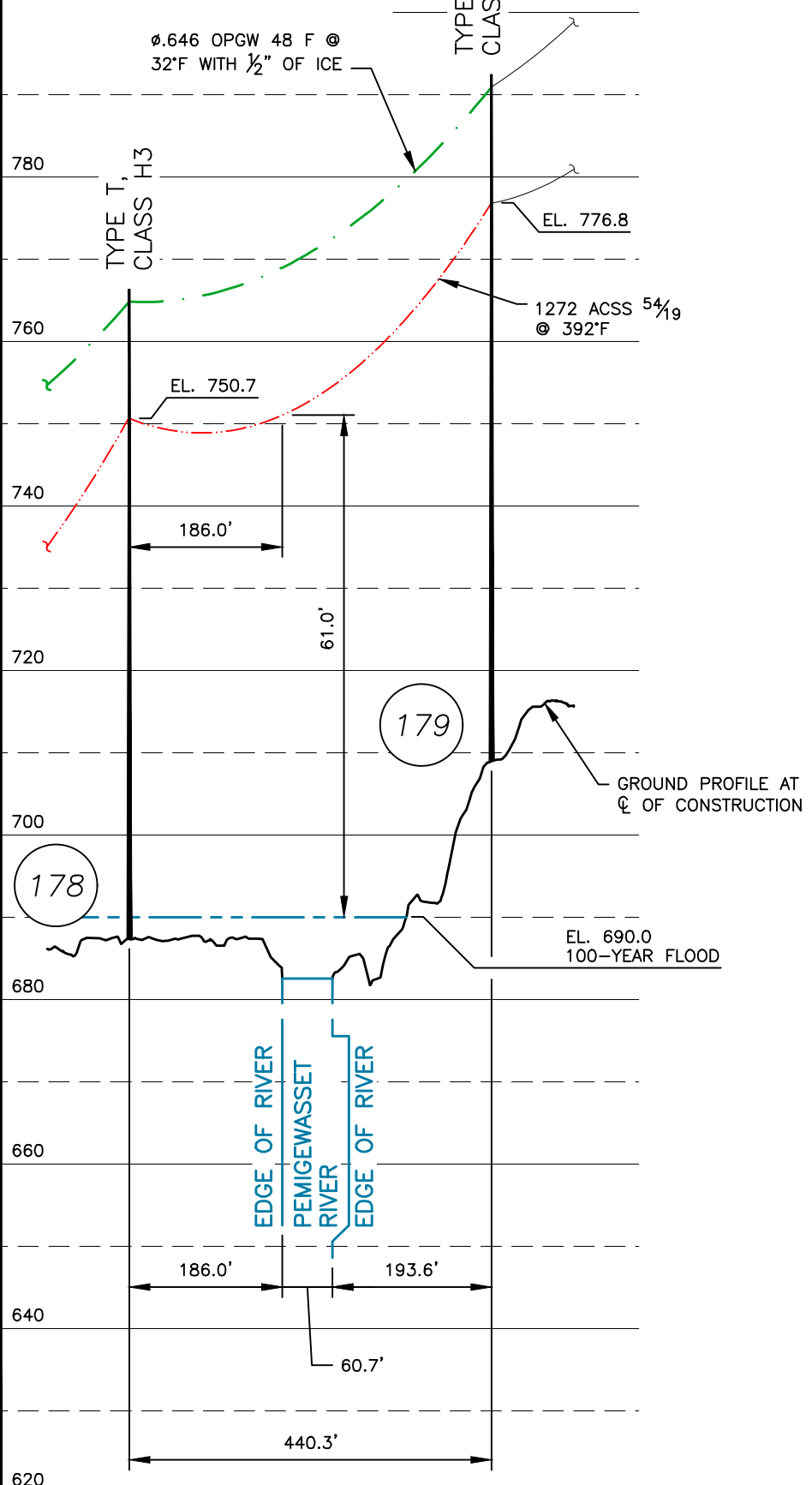
DWG REV	EPN/DESCRIPTION	CONT/PE#	DATE	DRN	CHKD	APPR
3	REISSUED TO NH DOE		07/24	GBS	APS	MRC
2	RE-ISSUED TO DOE		06/24	KAT	SEK	BRK
1	ISSUED TO DOE		02/24	KAT	SEK	BRK

SCALE AS SHOWN  
FILE: 04100-81001.DWG  
DRAWING NO. 04100-81001

7/10/2024 10:30 AM - sullivan - N:\Adept Work Area\NH Work Area\sulligx\Lines\115kv\115...04100-81007.dwg - Exhibit 6 ES VER: 12/2016

### PROFILE VIEW

SCALE: HORZ 1" = 200'  
VERT 1" = 20'

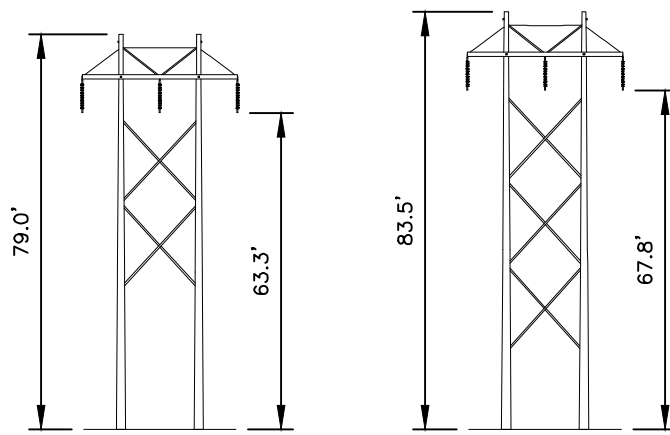


### LEGEND:

- #178 STRUCTURE
- WATERBODY
- PROPERTY BOUNDARY
- X178 LINE 115KV
- LINE, C OF CONSTRUCTION
- LIMITS OF EVERSOURCE RIGHT OF WAY

### NOTES:

1. PARCEL INFORMATION PROVIDED BY NH GRANIT.
2. ELEVATIONS REFERENCED TO THE NORTH AMERICAN VERTICAL DATUM OF 1988.
3. 100 YEAR FLOOD ELEVATION FROM THE FEMA FLOOD MAP SERVICE CENTER, NATIONAL FLOOD HAZARD LAYER FIRMETTE, 01/16/2020.



STRUCTURE 178  
TYPE T

STR 178: IS AN EVERSOURCE TYPE T, SINGLE CIRCUIT STEEL TANGENT STRUCTURE, HORIZONTAL CONFIG.

STRUCTURE 179  
TYPE T

STR 179: IS AN EVERSOURCE TYPE T, SINGLE CIRCUIT STEEL TANGENT STRUCTURE, HORIZONTAL CONFIG.

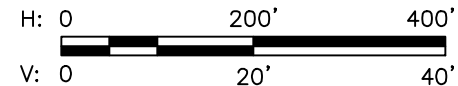
### STRUCTURE DETAILS

SCALE: NTS

STRUCTURE LOCATION		
STRUCTURE	LONGITUDE	LATITUDE
178	-71.68319411	44.01340185
179	-71.68471300	44.01390850

NESC VERTICAL CLEARANCE (FT) FROM TABLE 232.1	
NATURE OF SURFACE UNDERNEATH WIRES, CONDUCTORS OR CABLES	115kV
WATER AREAS NOT SUITABLE FOR SAIL BOATING OR WHERE SAIL BOATING IS PROHIBITED	18.6

CABLE SCHEDULE						
WIRE	QTY OF CABLES	DESCRIPTION	DESIGN CONDITIONS			
			MAX DESIGN TENSION (lb)	TEMP (°F)	ICE (in)	WIND (psf)
CONDUCTOR	3	ACSS, 1272 kcmil 54/19, PHEASANT	10000	0	0.5	4
OPGW	2	48F 0.646 AFL S3-81/69/646	5500	0	0.5	4



LINE X178, 115kV LINE  
PEMIGEWASSET RIVER, PUBLIC WATER CROSSING  
WOODSTOCK, NEW HAMPSHIRE  
EXHIBIT 6

T	3
DRAWN	KAT/TRC
ENGINEER	GEL/TRC
CHECKED	SEK/TRC
APPROVED	BRK/TRC
DATE	06/26/24

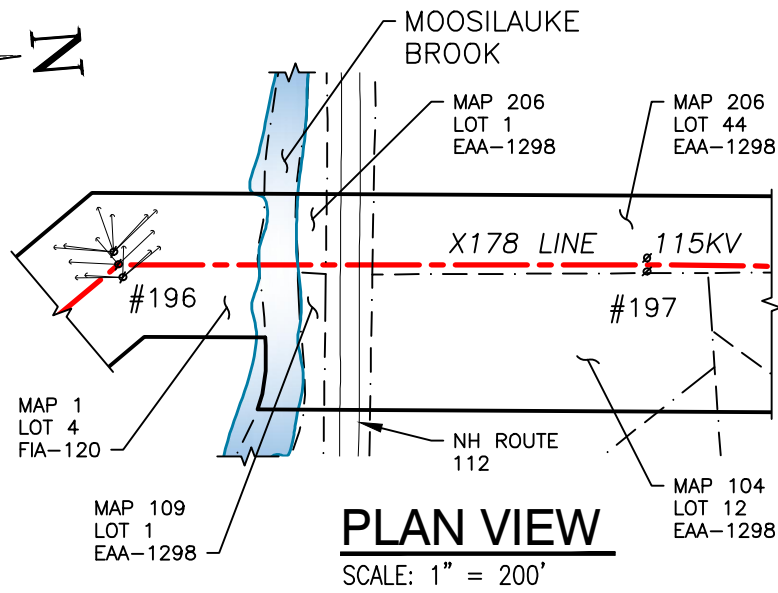
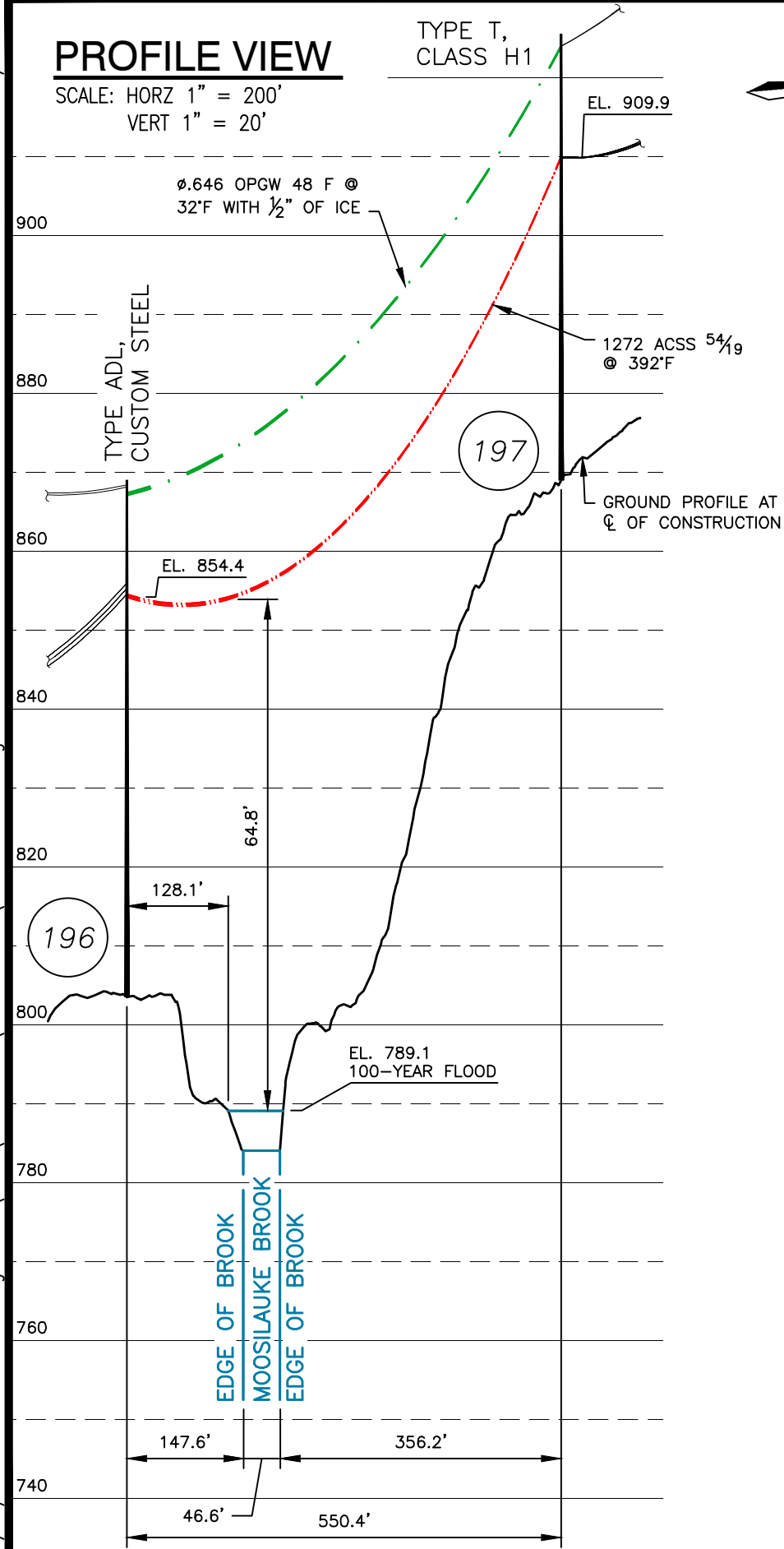
DWG REV	EPN/DESCRIPTION	CONT/PE#	DATE	DRN	CHKD	APPR
3	REISSUED TO NH DOE		07/24	GBS	APS	MRC
2	RE-ISSUED TO DOE		06/24	KAT	SEK	BRK
1	ISSUED TO DOE		02/24	KAT	SEK	BRK

SCALE: AS SHOWN  
FILE: 04100-81007.DWG  
DRAWING NO.: 04100-81007

7/10/2024 10:30 AM - sullivan - S:\Lines\Line 115kV\115 - X178\04100-81008.dwg - Exhibit 7

# PROFILE VIEW

SCALE: HORZ 1" = 200'  
VERT 1" = 20'



# PLAN VIEW

SCALE: 1" = 200'

## LEGEND:

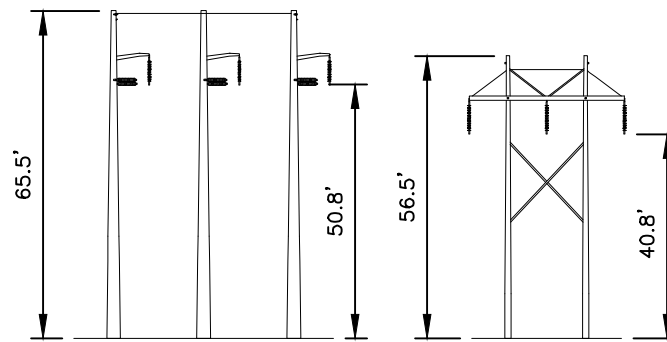
- #196 STRUCTURE (WITH GUYS)
- WATERBODY
- PROPERTY BOUNDARY
- X178 LINE 115KV LINE, CL OF CONSTRUCTION
- LIMITS OF EVERSOURCE RIGHT OF WAY

## NOTES:

- PARCEL INFORMATION PROVIDED BY NH GRANIT.
- ELEVATIONS REFERENCED TO THE NORTH AMERICAN VERTICAL DATUM OF 1988.
- THE 100 YEAR FLOOD ELEVATION FROM THE FEMA FLOOD MAP SERVICE CENTER, NATIONAL FLOOD HAZARD LAYER FIRMETTE, 03/23/2020 IS A ZONE A. THE ELEVATION WAS DEVELOPED THROUGH CONTOUR INTERPOLATION AS DEFINED IN THE FEMA APPROXIMATE ZONE A AREAS, A GUIDE FOR OBTAINING AND DEVELOPING BASE (100 YEAR) FLOOD ELEVATIONS, SECTION V. DEVELOPING BASE (100 YEAR) FLOOD ELEVATIONS.

STRUCTURE LOCATION		
STRUCTURE	LONGITUDE	LATITUDE
196	-71.70995143	44.02873501
197	-71.70978771	44.03024025

NESC VERTICAL CLEARANCE (FT) FROM TABLE 232.1	
NATURE OF SURFACE UNDERNEATH WIRES, CONDUCTORS OR CABLES	115kV
WATER AREAS NOT SUITABLE FOR SAIL BOATING OR WHERE SAIL BOATING IS PROHIBITED	18.6



STRUCTURE 196  
TYPE ADL

STR 196: IS AN EVERSOURCE TYPE ADL, SINGLE CIRCUIT STEEL DEADEND STRUCTURE, HORIZONTAL CONFIG., GUYED

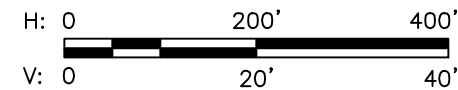
STRUCTURE 197  
TYPE T

STR 197: IS AN EVERSOURCE TYPE T, SINGLE CIRCUIT STEEL TANGENT STRUCTURE, HORIZONTAL CONFIG.

# STRUCTURE DETAILS

SCALE: NTS

CABLE SCHEDULE						
WIRE	QTY OF CABLES	DESCRIPTION	DESIGN CONDITIONS			
			MAX DESIGN TENSION (lb)	TEMP (°F)	ICE (in)	WIND (psf)
CONDUCTOR	3	ACSS, 1272 kcmil 54/19, PHEASANT	10000	0	0.5	4
OPGW	2	48F Ø0.646 AFL S3-81/69/646	5500	0	0.5	4



LINE X178, 115kV LINE  
MOOSILAUKE BROOK, PUBLIC WATER CROSSING  
WOODSTOCK, NEW HAMPSHIRE  
EXHIBIT 7

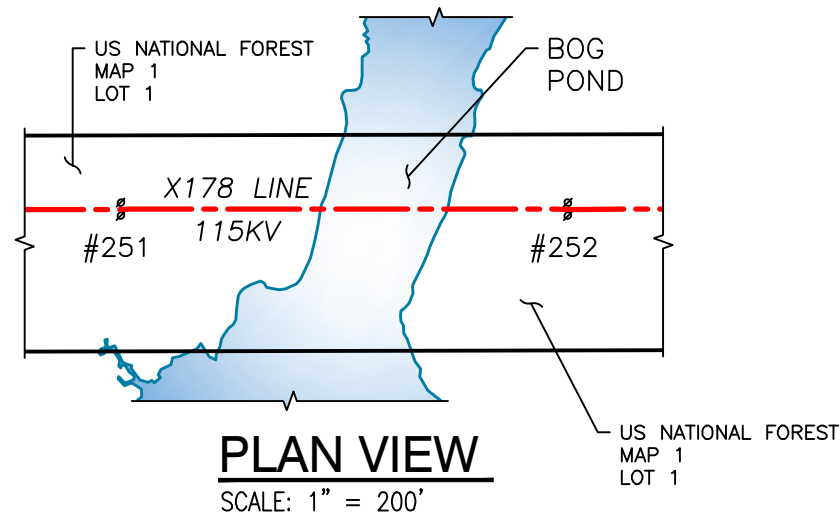
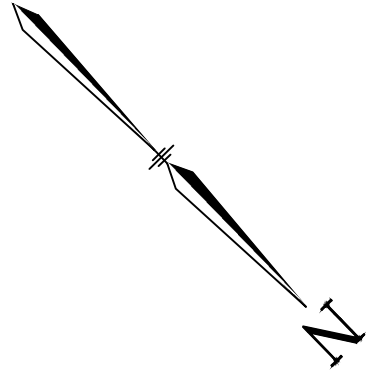
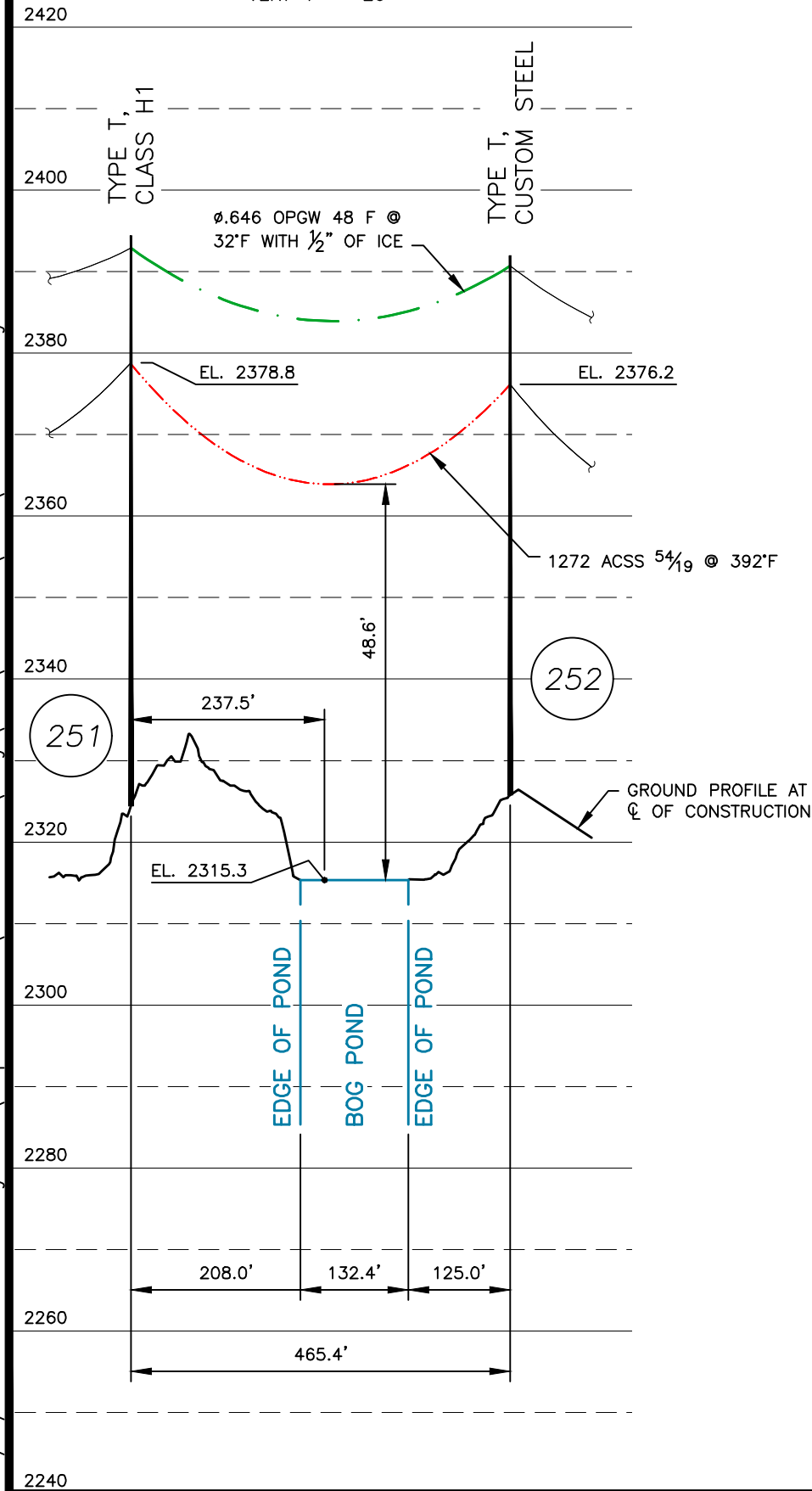
T	2
DRAWN	KAT/TRC
ENGINEER	GEL/TRC
CHECKED	SEK/TRC
APPROVED	BRK/TRC
DATE	02/12/24

DWG REV	EPN/DESCRIPTION	CONT/PE#	DATE	DRN	CHKD	APPR
2	REISSUED TO NH DOE		07/24	GBS	APS	MRC
1	ISSUED TO DOE		02/24	KAT	SEK	BRK

7/10/2024 10:30 AM - sullivan - N:\Adept Work Area\NH Work Area\sulligx\Lines\115kV\04100-81013.dwg - Exhibit 8

# PROFILE VIEW

SCALE: HORZ 1" = 200'  
VERT 1" = 20'

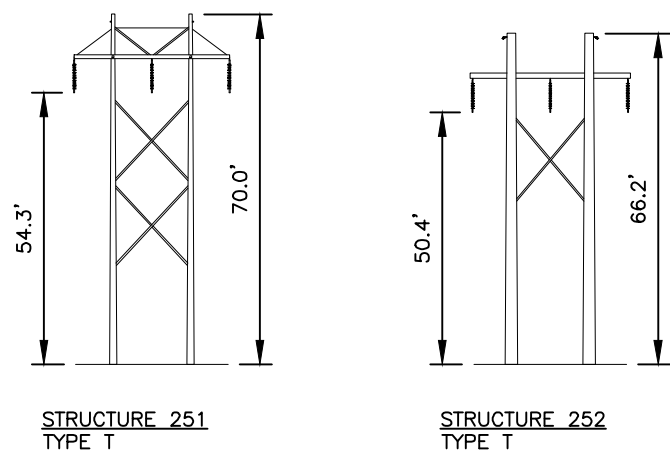


### LEGEND:

- #251 STRUCTURE
- WATERBODY
- X178 LINE 115KV LINE,  $\phi$  OF CONSTRUCTION
- LIMITS OF EVERSOURCE RIGHT OF WAY

### NOTES:

1. PARCEL INFORMATION PROVIDED BY NH GRANIT.
2. ELEVATIONS REFERENCED TO THE NORTH AMERICAN VERTICAL DATUM OF 1988.
3. THE 100 YEAR FLOOD ELEVATION FROM THE FEMA FLOOD MAP SERVICE CENTER, NATIONAL FLOOD HAZARD LAYER FIRMETTE, 03/23/2020 IS A ZONE A. THE ELEVATION WAS DEVELOPED THROUGH CONTOUR INTERPOLATION AS DEFINED IN THE FEMA APPROXIMATE ZONE A AREAS, A GUIDE FOR OBTAINING AND DEVELOPING BASE (100 YEAR) FLOOD ELEVATIONS, SECTION V. DEVELOPING BASE (100 YEAR) FLOOD ELEVATIONS.

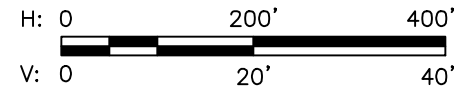


STR 251: IS AN EVERSOURCE TYPE T, SINGLE CIRCUIT STEEL TANGENT STRUCTURE, HORIZONTAL CONFIG.

STR 252: IS AN EVERSOURCE TYPE T, SINGLE CIRCUIT STEEL TANGENT STRUCTURE, HORIZONTAL CONFIG.

## STRUCTURE DETAILS

SCALE: NTS



STRUCTURE LOCATION		
STRUCTURE	LONGITUDE	LATITUDE
251	-71.73362896	44.08773949
252	-71.73490325	44.08862620

NESC VERTICAL CLEARANCE (FT) FROM TABLE 232.1	
NATURE OF SURFACE UNDERNEATH WIRES, CONDUCTORS OR CABLES	115kV
WATER AREAS NOT SUITABLE FOR SAIL BOATING OR WHERE SAIL BOATING IS PROHIBITED	18.6

CABLE SCHEDULE						
WIRE	QTY OF CABLES	DESCRIPTION	DESIGN CONDITIONS			
			MAX DESIGN TENSION (lb)	TEMP (°F)	ICE (in)	WIND (psf)
CONDUCTOR	3	ACSS, 1272 kcmil 54/19, PHEASANT	10000	0	0.5	4
OPGW	2	48F $\phi$ 0.646 AFL S3-81/69/646	5500	0	0.5	4

DWG REV	EPN/DESCRIPTION	CONT/PE#	DATE	DRN	CHKD	APPR
2	REISSUED TO NH DOE		07/24	GBS	APS	MRC
1	ISSUED TO DOE		06/24	KAT	SEK	BRK

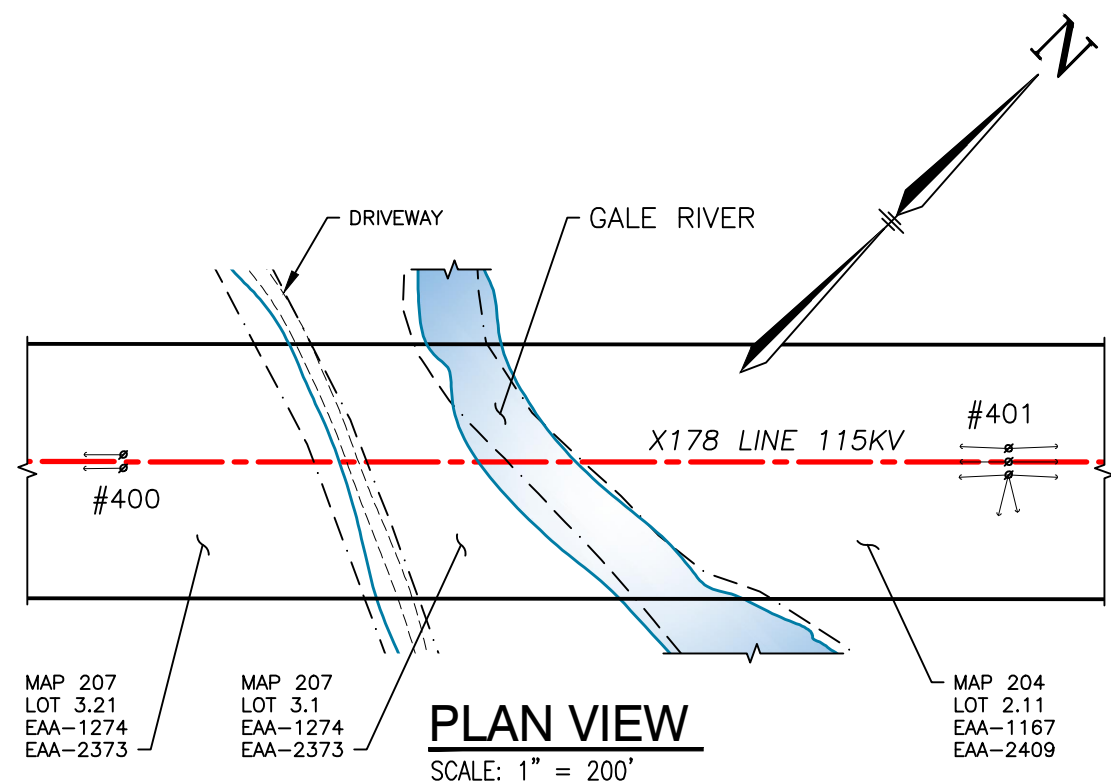
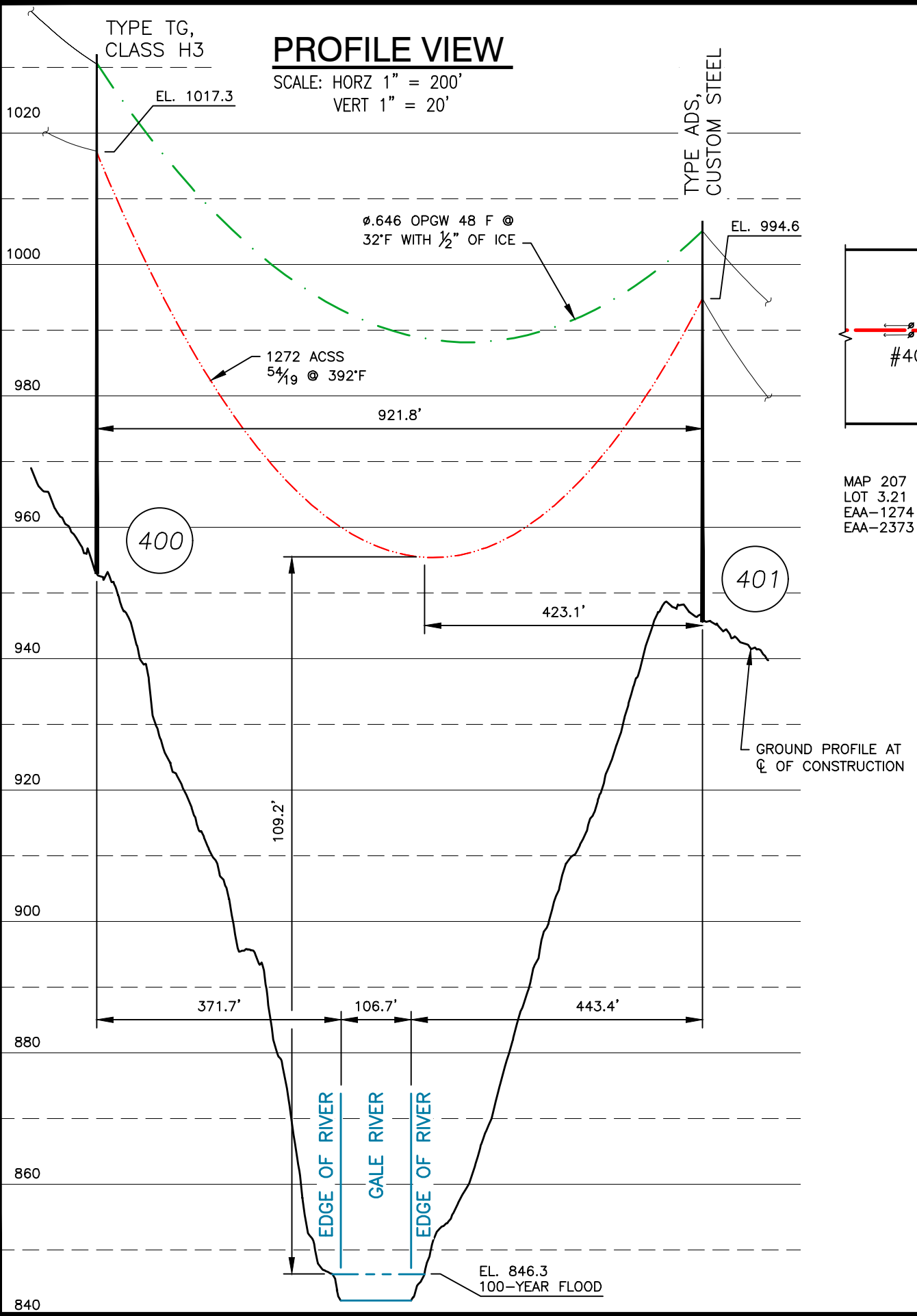
**LINE X178, 115kV LINE  
BOG POND, PUBLIC WATER CROSSING  
LINCOLN, NEW HAMPSHIRE  
EXHIBIT 8**

SCALE AS SHOWN	FILE: 04100-81013.DWG IMAGE:	DRAWING NO. <b>04100-81013</b>
-------------------	---------------------------------	-----------------------------------

T 2	2
DRAWN KAT/TRC	
ENGINEER GEL/TRC	
CHECKED SEK/TRC	
APPROVED BRK/TRC	
DATE 06/26/24	



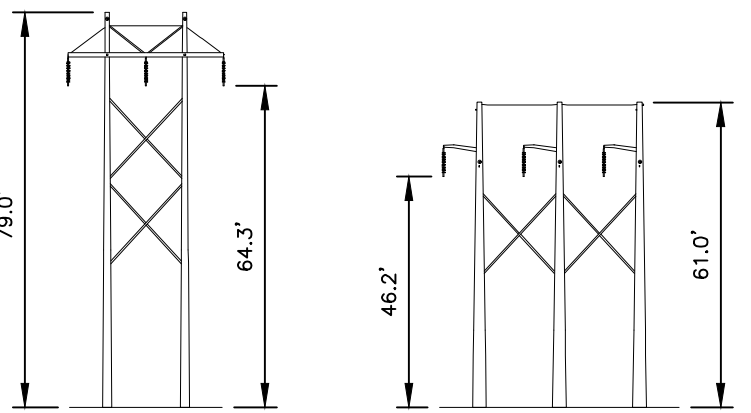
7/10/2024 10:30 AM - sullivan - N:\Adept Work Area\NH Work Area\sulligx\Lines\Line 115kV\115...04100-81009.dwg - Exhibit 9



### LEGEND:

- #401 STRUCTURE (WITH GUYS)
- WATERBODY
- PROPERTY BOUNDARY
- X178 LINE 115KV
- LINE, CL OF CONSTRUCTION
- LIMITS OF EVERSOURCE RIGHT OF WAY

- ### NOTES:
- PARCEL INFORMATION PROVIDED BY NH GRANIT.
  - ELEVATIONS REFERENCED TO THE NORTH AMERICAN VERTICAL DATUM OF 1988.
  - THE 100 YEAR FLOOD ELEVATION FROM THE FEMA FLOOD MAP SERVICE CENTER, NATIONAL FLOOD HAZARD LAYER FIRMETTE, 03/23/2020 IS A ZONE A. THE ELEVATION WAS DEVELOPED THROUGH CONTOUR INTERPOLATION AS DEFINED IN THE FEMA APPROXIMATE ZONE A AREAS, A GUIDE FOR OBTAINING AND DEVELOPING BASE (100 YEAR) FLOOD ELEVATIONS, SECTION V. DEVELOPING BASE (100 YEAR) FLOOD ELEVATIONS.



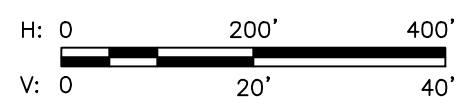
**STRUCTURE 400**  
TYPE TG  
STR 400: IS AN EVERSOURCE TYPE TG, SINGLE CIRCUIT STEEL TANGENT STRUCTURE, HORIZONTAL CONFIG., GUYED

**STRUCTURE 401**  
TYPE ADS  
STR 401: IS AN EVERSOURCE TYPE ADS, SINGLE CIRCUIT STEEL DEADEND STRUCTURE, HORIZONTAL CONFIG., GUYED

STRUCTURE LOCATION		
STRUCTURE	LONGITUDE	LATITUDE
400	-71.78996476	44.24677244
401	-71.78747907	44.24856162

NESC VERTICAL CLEARANCE (FT) FROM TABLE 232.1	
NATURE OF SURFACE UNDERNEATH WIRES, CONDUCTORS OR CABLES	115kV
WATER AREAS NOT SUITABLE FOR SAIL BOATING OR WHERE SAIL BOATING IS PROHIBITED	18.6

CABLE SCHEDULE						
WIRE	QTY OF CABLES	DESCRIPTION	DESIGN CONDITIONS			
			MAX DESIGN TENSION (lb)	TEMP (°F)	ICE (in)	WIND (psf)
CONDUCTOR	3	ACSS, 1272 kcmil 54/19, PHEASANT	10000	0	0.5	4
OPGW	2	48F 0.646 AFL S3-81/69/646	6000	0	0.5	4



DWG REV	EPN/DESCRIPTION	CONT/PE#	DATE	DRN	CHKD	APPR
3	REISSUED TO NH DOE		07/24	GBS	APS	MRC
2	RE-ISSUED TO DOE		06/24	KAT	SEK	BRK
1	ISSUED TO DOE		02/24	KAT	SEK	BRK

**EVERSOURCE ENERGY**

LINE X178, 115kV LINE  
GALE RIVER, PUBLIC WATER CROSSING  
SUGAR HILL, NEW HAMPSHIRE  
EXHIBIT 9

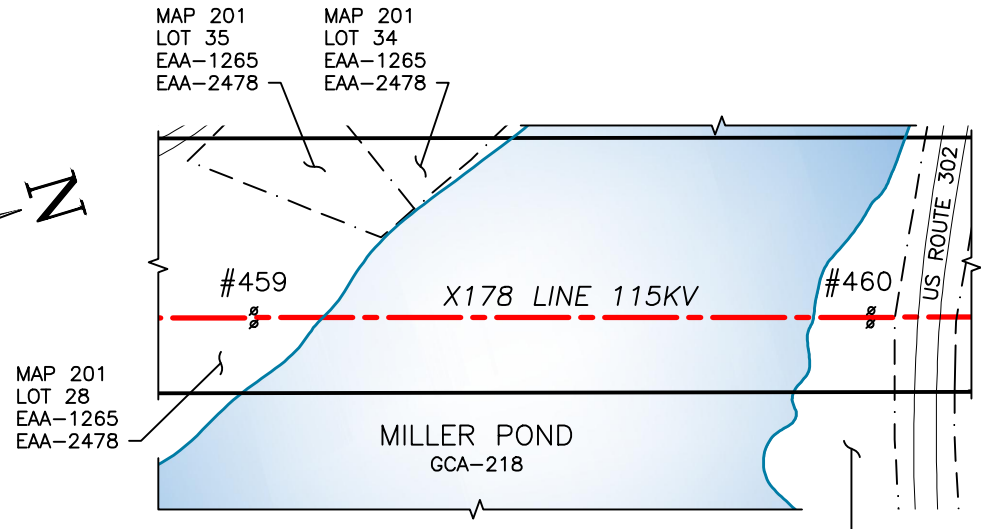
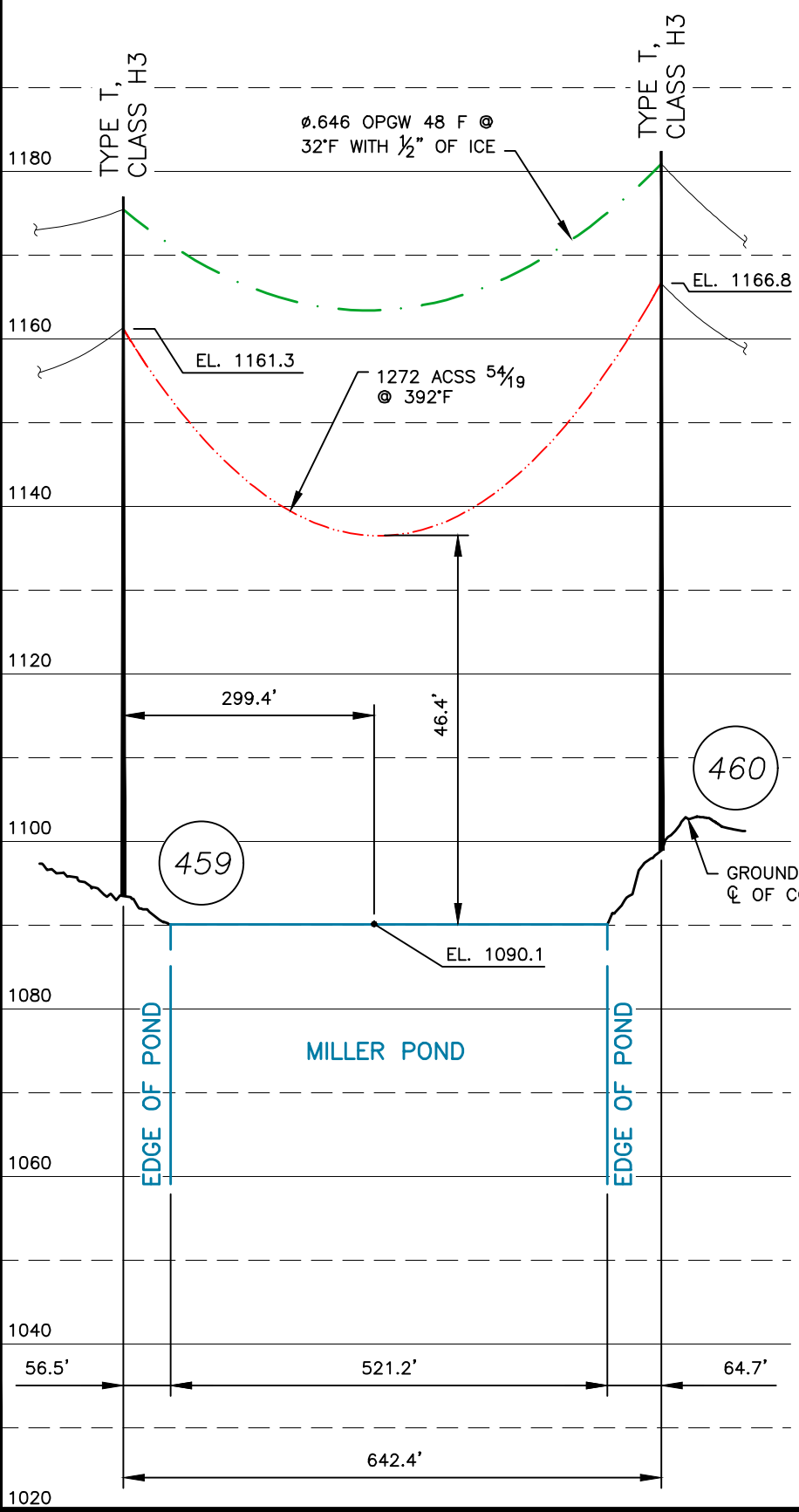
SCALE AS SHOWN	FILE: 04100-81009.DWG IMAGE:	DRAWING NO. 04100-81009
-------------------	---------------------------------	----------------------------

T	3
DRAWN	KAT/TRC
ENGINEER	GEL/TRC
CHECKED	SEK/TRC
APPROVED	BRK/TRC
DATE	06/26/24

7/10/2024 10:30 AM - sullivan - N:\Adept Work Area\NH Work Area\sulligx\Lines\Line 115kV\115...04100-81010.dwg - Exhibit 10 ES VER: 12/2016

# PROFILE VIEW

SCALE: HORZ 1" = 200'  
VERT 1" = 20'



# PLAN VIEW

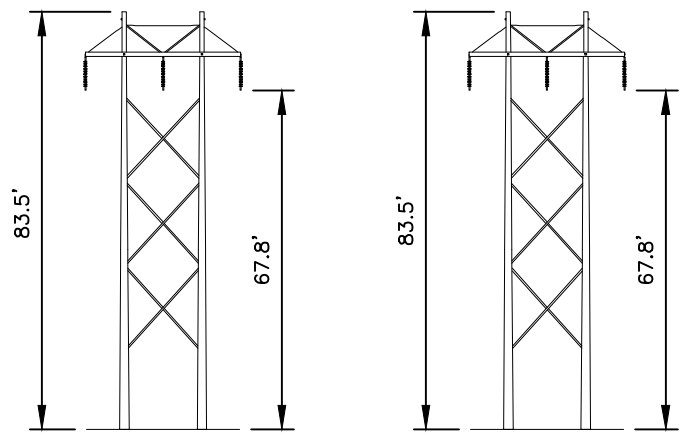
SCALE: 1" = 200'

## LEGEND:

- #459 STRUCTURE
- WATERBODY
- PROPERTY BOUNDARY
- X178 LINE 115KV
- LINE, C OF CONSTRUCTION
- LIMITS OF EVERSOURCE RIGHT OF WAY

## NOTES:

- PARCEL INFORMATION PROVIDED BY NH GRANIT.
- ELEVATIONS REFERENCED TO THE NORTH AMERICAN VERTICAL DATUM OF 1988.
- THE 100 YEAR FLOOD ELEVATION FROM THE FEMA FLOOD MAP SERVICE CENTER, NATIONAL FLOOD HAZARD LAYER FIRMETTE, 03/23/2020 IS A ZONE A. THE ELEVATION WAS DEVELOPED THROUGH CONTOUR INTERPOLATION AS DEFINED IN THE FEMA APPROXIMATE ZONE A AREAS, A GUIDE FOR OBTAINING AND DEVELOPING BASE (100 YEAR) FLOOD ELEVATIONS, SECTION V. DEVELOPING BASE (100 YEAR) FLOOD ELEVATIONS.



STRUCTURE 459  
TYPE T

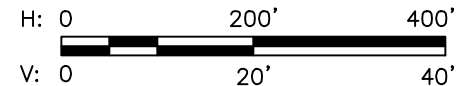
STR 459: IS AN EVERSOURCE TYPE T, SINGLE CIRCUIT STEEL TANGENT STRUCTURE, HORIZONTAL CONFIG.

STRUCTURE 460  
TYPE T

STR 460: IS AN EVERSOURCE TYPE T, SINGLE CIRCUIT STEEL TANGENT STRUCTURE, HORIZONTAL CONFIG.

# STRUCTURE DETAILS

SCALE: NTS



STRUCTURE LOCATION		
STRUCTURE	LONGITUDE	LATITUDE
459	-71.72712011	44.28035468
460	-71.72641733	44.28204300

NESC VERTICAL CLEARANCE (FT) FROM TABLE 232.1	
NATURE OF SURFACE UNDERNEATH WIRES, CONDUCTORS OR CABLES	115kV
WATER AREAS SUITABLE FOR SAIL BOATING INCLUDING LAKES, PONDS, RESERVOIRS, TIDAL WATERS, RIVERS, STREAMS, AND CANALS WITH AN UNOBSTRUCTED SURFACE AREA OF LESS THAN 20 ACRES	22.1

CABLE SCHEDULE						
WIRE	QTY OF CABLES	DESCRIPTION	DESIGN CONDITIONS			
			MAX DESIGN TENSION (lb)	TEMP (°F)	ICE (in)	WIND (psf)
CONDUCTOR	3	ACSS, 1272 kcmil 54/19, PHEASANT	10000	0	0.5	4
OPGW	2	48F Ø0.646 AFL S3-81/69/646	5500	0	0.5	4

DWG REV	EPN/DESCRIPTION	CONT/PE#	DATE	DRN	CHKD	APPR
3	REISSUED TO NH DOE		07/24	GBS	APS	MRC
2	RE-ISSUED TO DOE		06/24	KAT	SEK	BRK
1	ISSUED TO DOE		02/24	KAT	SEK	BRK

## EVERSOURCE ENERGY

LINE X178, 115kV LINE  
MILLER POND, PUBLIC WATER CROSSING  
BETHLEHEM, NEW HAMPSHIRE  
EXHIBIT 10

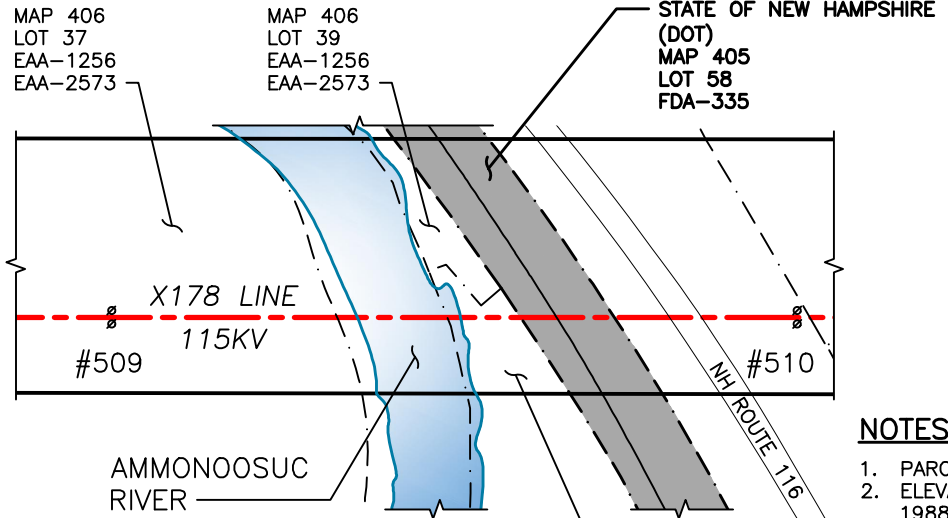
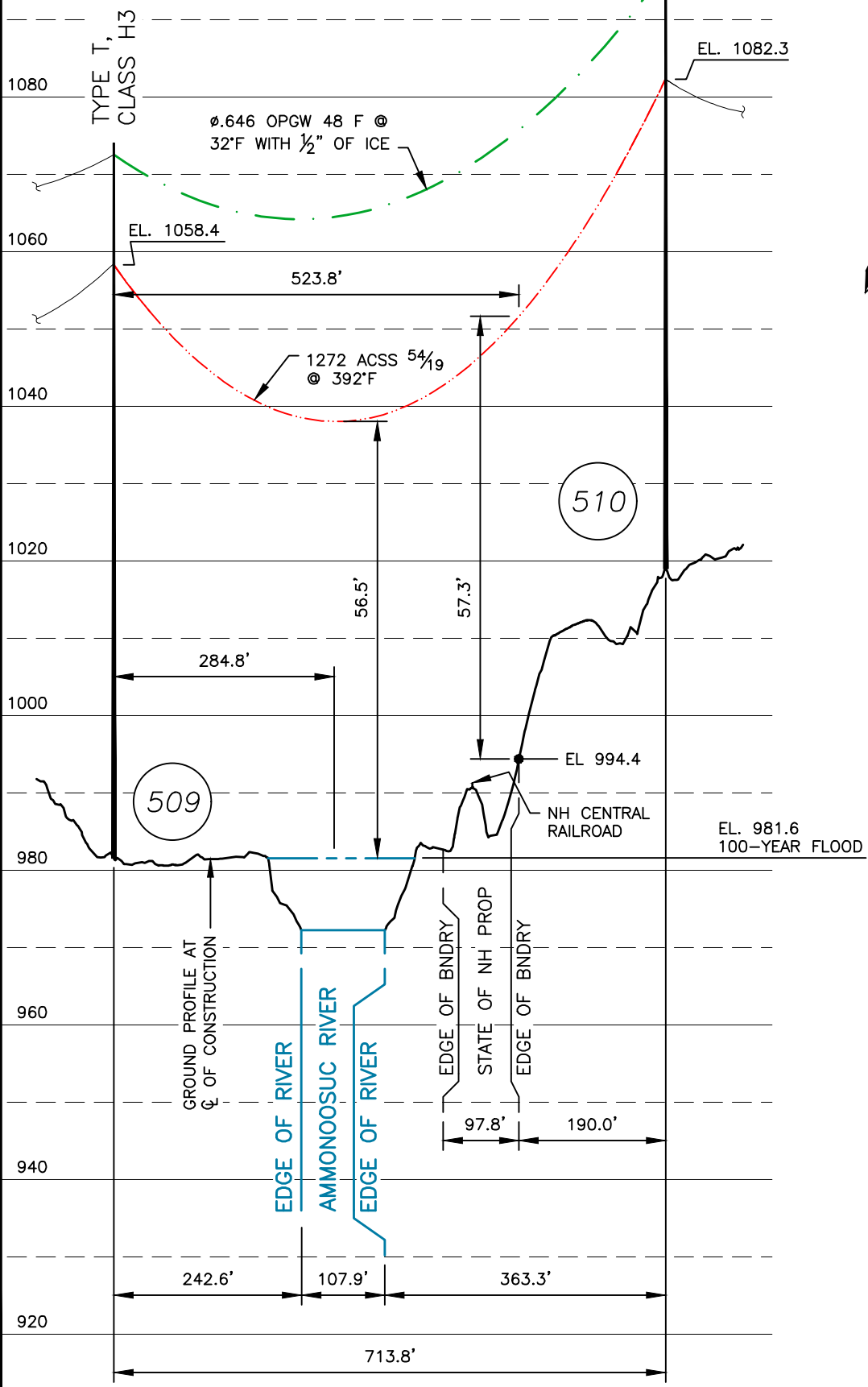
SCALE AS SHOWN	FILE: 04100-81010.DWG IMAGE:	DRAWING NO. <b>04100-81010</b>
-------------------	---------------------------------	-----------------------------------

DRAWN KAT/TRC	ENGINEER GEL/TRC	T 3
CHECKED SEK/TRC	APPROVED BRK/TRC	DATE 06/26/24

7/10/2024 10:30 AM - sullivan - N:\Adept Work Area\NH Work Area\sulligx\Lines\115kv\115...04100-81011.dwg - Exhibit 11 ES VER: 12/2016

### PROFILE VIEW

SCALE: HORZ 1" = 200'  
VERT 1" = 20'



### PLAN VIEW

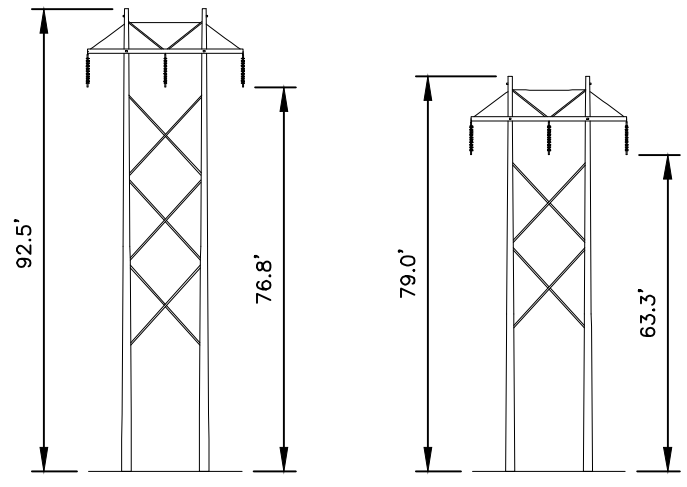
SCALE: 1" = 200'

### LEGEND:

- #509 STRUCTURE
- STATE OF NEW HAMPSHIRE PROPERTY
- WATERBODY
- PROPERTY BOUNDARY
- RAILROAD
- X178 LINE 115KV
- LINE, C OF CONSTRUCTION
- LIMITS OF EVERSOURCE RIGHT OF WAY

### NOTES:

- PARCEL INFORMATION PROVIDED BY NH GRANIT.
- ELEVATIONS REFERENCED TO THE NORTH AMERICAN VERTICAL DATUM OF 1988.
- THE 100 YEAR FLOOD ELEVATION FROM THE FEMA FLOOD MAP SERVICE CENTER, NATIONAL FLOOD HAZARD LAYER FIRMETTE, 03/23/2020 IS A ZONE A. THE ELEVATION WAS DEVELOPED THROUGH CONTOUR INTERPOLATION AS DEFINED IN THE FEMA APPROXIMATE ZONE A AREAS, A GUIDE FOR OBTAINING AND DEVELOPING BASE (100 YEAR) FLOOD ELEVATIONS, SECTION V. DEVELOPING BASE (100 YEAR) FLOOD ELEVATIONS.

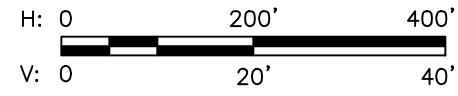


**STRUCTURE 509**  
TYPE T  
STR 509: IS AN EVERSOURCE TYPE T, SINGLE CIRCUIT STEEL TANGENT STRUCTURE, HORIZONTAL CONFIG.

**STRUCTURE 510**  
TYPE T  
STR 510: IS AN EVERSOURCE TYPE T, SINGLE CIRCUIT STEEL TANGENT STRUCTURE, HORIZONTAL CONFIG.

### STRUCTURE DETAILS

SCALE: NTS



STRUCTURE LOCATION		
STRUCTURE	LONGITUDE	LATITUDE
509	-71.68009318	44.32249531
510	-71.67759865	44.32328717

NESC VERTICAL CLEARANCE (FT) FROM TABLE 232.1	
NATURE OF SURFACE UNDERNEATH WIRES, CONDUCTORS OR CABLES	115kV
TRACK RAILS OF RAILROADS	28.1
WATER AREAS NOT SUITABLE FOR SAIL BOATING OR WHERE SAIL BOATING IS PROHIBITED	18.6

CABLE SCHEDULE						
WIRE	QTY OF CABLES	DESCRIPTION	DESIGN CONDITIONS			
			MAX DESIGN TENSION (lb)	TEMP (°F)	ICE (in)	WIND (psf)
CONDUCTOR	3	ACSS, 1272 kcmil 54/19, PHEASANT	10000	0	0.5	4
OPGW	2	48F 0.646 AFL S3-81/69/646	5500	0	0.5	4

DWG REV	EPN/DESCRIPTION	CONT/PE#	DATE	DRN	CHKD	APPR
3	REISSUED TO NH DOE		07/24	GBS	APS	MRC
2	RE-ISSUED TO DOE		06/24	KAT	SEK	BRK
1	ISSUED TO DOE		02/24	KAT	SEK	BRK

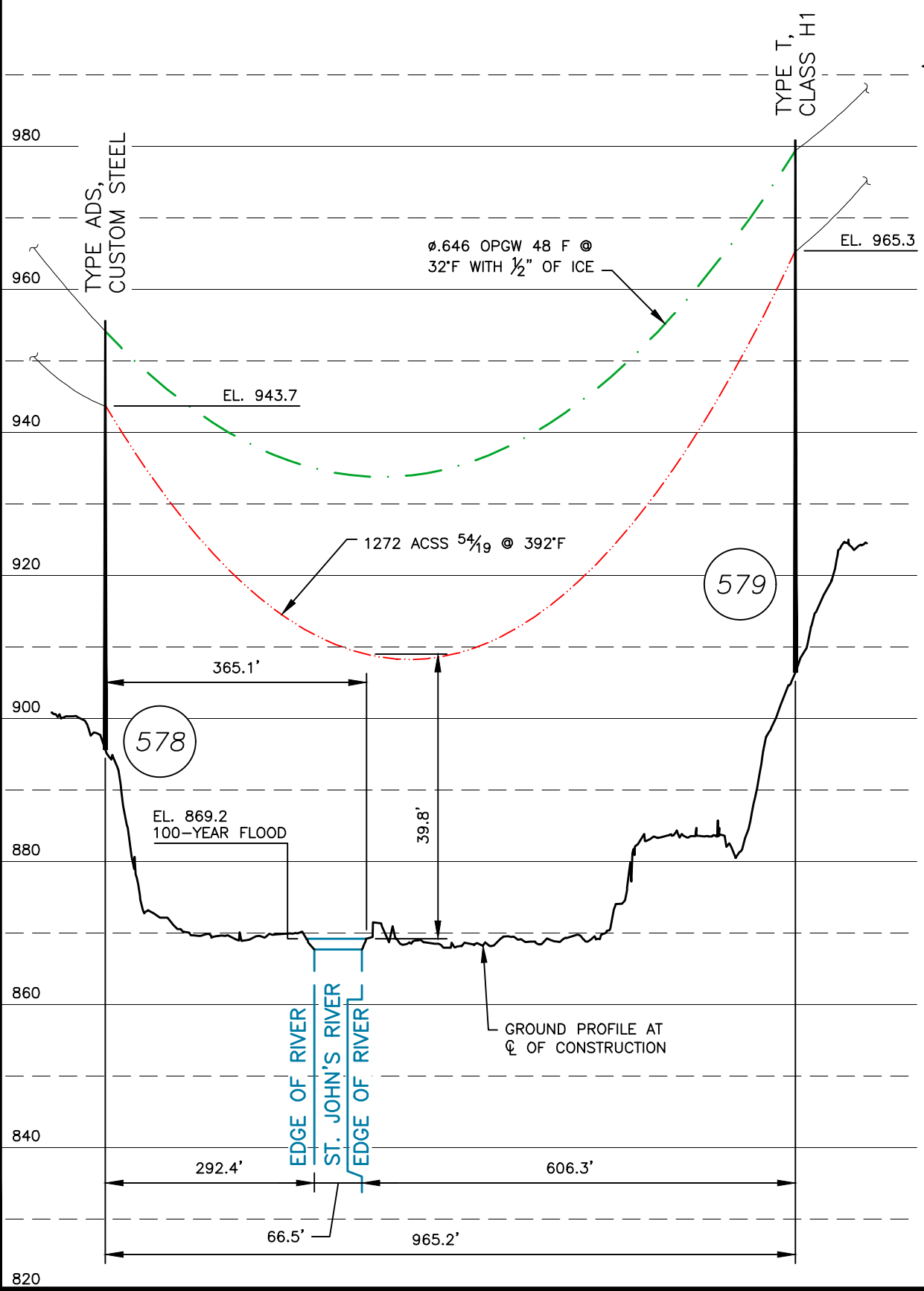
## EVERSOURCE ENERGY

**LINE X178, 115kV LINE  
STATE OWNED LAND CROSSING & AMMONOOSUC RIVER  
BETHLEHEM, NEW HAMPSHIRE  
EXHIBIT 11**

SCALE AS SHOWN	FILE: 04100-81011.DWG IMAGE:	DRAWING NO. <b>04100-81011</b>
-------------------	---------------------------------	-----------------------------------

# PROFILE VIEW

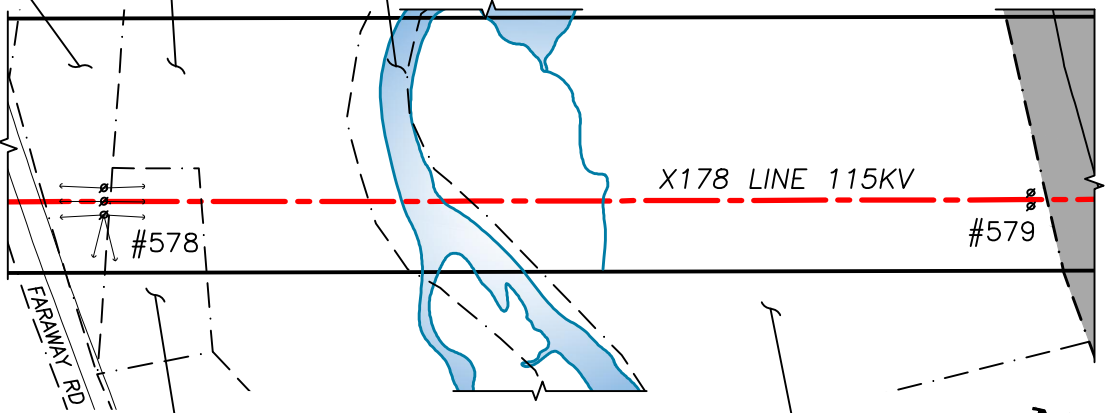
SCALE: HORZ 1" = 200'  
VERT 1" = 20'



MAP 413  
LOT 62  
DDR-56

MAP 413  
LOT 66  
EAA-2597

ST.  
JOHN'S  
RIVER



# PLAN VIEW

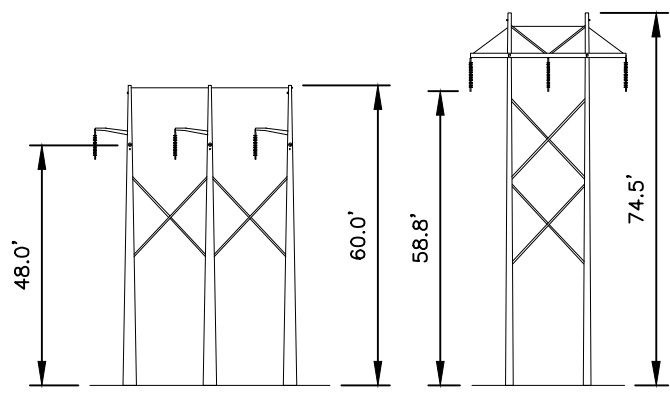
SCALE: 1" = 200'

### LEGEND:

- #578 STRUCTURE (WITH GUYS)
- STATE OF NEW HAMPSHIRE PROPERTY
- WATERBODY
- PROPERTY BOUNDARY
- RAILROAD
- X178 LINE 115KV LINE, CL OF CONSTRUCTION
- LIMITS OF EVERSOURCE RIGHT OF WAY

### NOTES:

1. PARCEL INFORMATION PROVIDED BY NH GRANIT.
2. ELEVATIONS REFERENCED TO THE NORTH AMERICAN VERTICAL DATUM OF 1988.
3. THE 100 YEAR FLOOD ELEVATION FROM THE FEMA FLOOD MAP SERVICE CENTER, NATIONAL FLOOD HAZARD LAYER FIRMETTE, 03/23/2020 IS A ZONE A. THE ELEVATION WAS DEVELOPED THROUGH CONTOUR INTERPOLATION AS DEFINED IN THE FEMA APPROXIMATE ZONE A AREAS, A GUIDE FOR OBTAINING AND DEVELOPING BASE (100 YEAR) FLOOD ELEVATIONS, SECTION V. DEVELOPING BASE (100 YEAR) FLOOD ELEVATIONS.



STRUCTURE 578  
TYPE ADS

STRUCTURE 579  
TYPE T

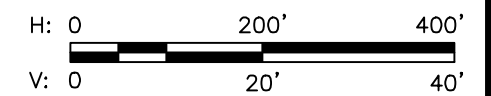
STR 578: IS AN EVERSOURCE TYPE ADS, SINGLE CIRCUIT STEEL DEADEND STRUCTURE, HORIZONTAL CONFIG., GUYED

STR 579: IS AN EVERSOURCE TYPE T, SINGLE CIRCUIT STEEL TANGENT STRUCTURE, HORIZONTAL CONFIG.

# STRUCTURE DETAILS

SCALE: NTS

STRUCTURE LOCATION		
STRUCTURE	LONGITUDE	LATITUDE
578	-71.62465533	44.38285832
579	-71.62102737	44.38335014



NESV VERTICAL CLEARANCE (FT) FROM TABLE 232.1	
NATURE OF SURFACE UNDERNEATH WIRES, CONDUCTORS OR CABLES	115kv
WATER AREAS NOT SUITABLE FOR SAIL BOATING OR WHERE SAIL BOATING IS PROHIBITED	18.6

CABLE SCHEDULE						
WIRE	QTY OF CABLES	DESCRIPTION	DESIGN CONDITIONS			
			MAX DESIGN TENSION (lb)	TEMP (°F)	ICE (in)	WIND (psf)
CONDUCTOR	3	ACSS, 1272 kcmil 54/19, PHEASANT	10000	0	0.5	4
OPGW	2	48F Ø0.646 AFL S3-81/69/646	5500	0	0.5	4

## EVERSOURCE ENERGY

**LINE X178, 115kV LINE  
ST. JOHN'S RIVER, PUBLIC WATER CROSSING  
DALTON, NEW HAMPSHIRE  
EXHIBIT 12**

SCALE AS SHOWN	FILE: 04100-81012.DWG IMAGE:	DRAWING NO. <b>04100-81012</b>
-------------------	---------------------------------	-----------------------------------

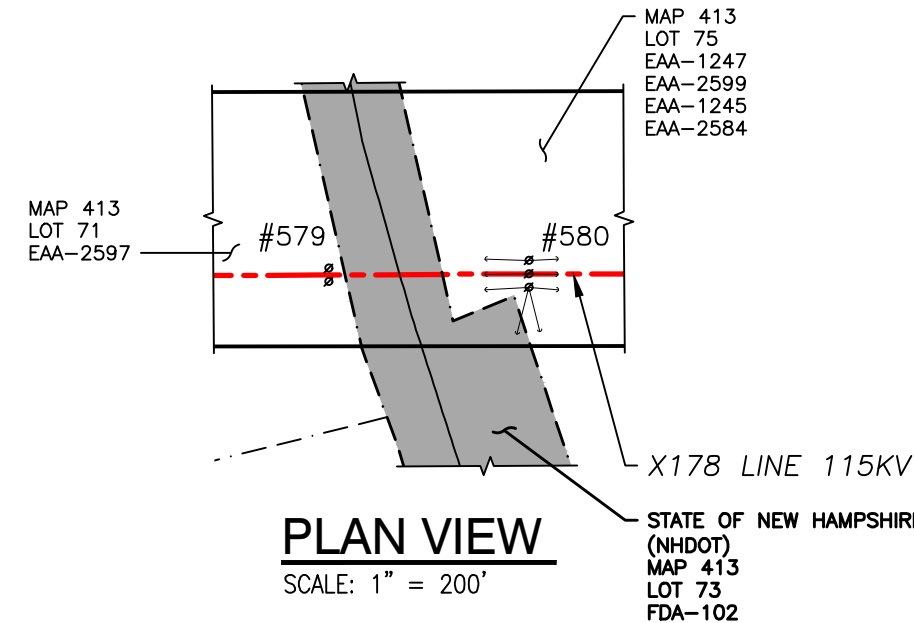
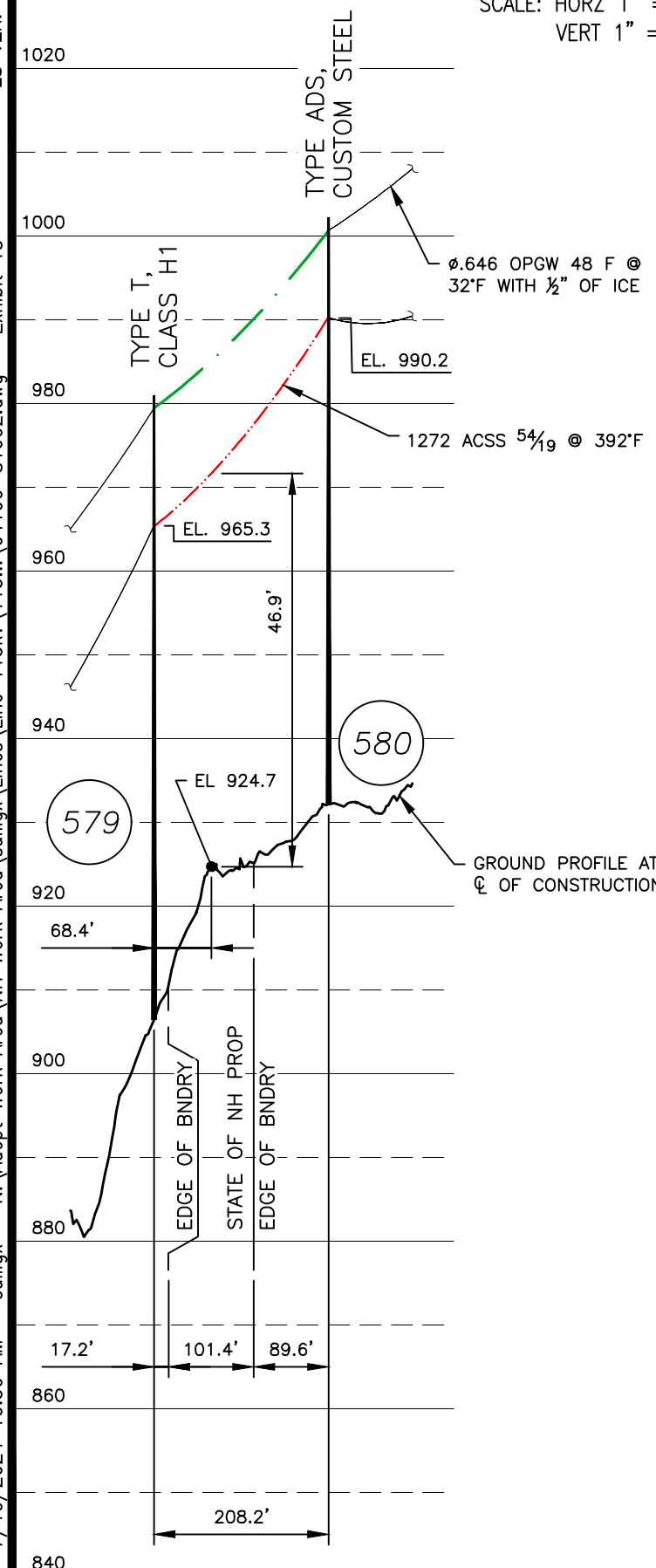
DWG REV	EPN/DESCRIPTION	CONT/PE#	DATE	DRN	CHKD	APPR
3	REISSUED TO NH DOE		07/24	GBS	APS	MRC
2	RE-ISSUED TO DOE		06/24	KAT	SEK	BRK
1	ISSUED TO DOE		02/24	KAT	SEK	BRK

T	3
DRAWN	KAT/TRC
ENGINEER	GEL/TRC
CHECKED	SEK/TRC
APPROVED	BRK/TRC
DATE	06/26/24

7/10/2024 10:30 AM - sullivan - N:\Adept Work Area\NH Work Area\sulligx\Lines\115kv\115...04100-81002.dwg - Exhibit 13 ES VER: 12/2016

# PROFILE VIEW

SCALE: HORZ 1" = 200'  
VERT 1" = 20'

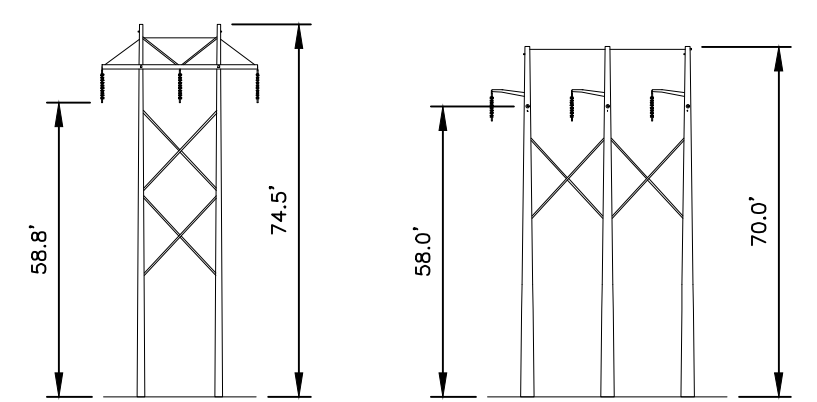


## LEGEND:

- #580 STRUCTURE (WITH GUYS)
- STATE OF NEW HAMPSHIRE PROPERTY
- RAILROAD
- X178 LINE 115KV
- LIMITS OF EVERSOURCE RIGHT OF WAY

## NOTES:

1. PARCEL INFORMATION BASED ON TOWN OF DALTON TAX MAP RECORDS (NH GRANIT DATA IS INCOMPLETE IN THIS AREA).
2. ELEVATIONS REFERENCED TO THE NORTH AMERICAN VERTICAL DATUM OF 1988.

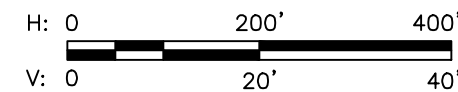


**STRUCTURE 579**  
TYPE T  
STR 579: IS AN EVERSOURCE TYPE T, SINGLE CIRCUIT STEEL TANGENT STRUCTURE, HORIZONTAL CONFIG.

**STRUCTURE 580**  
TYPE ADS  
STR 580: IS AN EVERSOURCE TYPE ADS, SINGLE CIRCUIT STEEL TANGENT STRUCTURE, HORIZONTAL CONFIG.

## STRUCTURE DETAILS

SCALE: NTS



STRUCTURE LOCATION		
STRUCTURE	LONGITUDE	LATITUDE
579	-71.62102737	44.38335014
580	-71.62024538	44.38345825

NESC VERTICAL CLEARANCE (FT) FROM TABLE 232.1	
NATURE OF SURFACE UNDERNEATH WIRES, CONDUCTORS OR CABLES	115kv
TRACK RAILS OF RAILROADS	28.1

CABLE SCHEDULE						
WIRE	QTY OF CABLES	DESCRIPTION	DESIGN CONDITIONS			
			MAX DESIGN TENSION (lb)	TEMP (°F)	ICE (in)	WIND (psf)
CONDUCTOR	3	ACSS, 1272 kcmil 54/19, PHEASANT	10000	0	0.5	4
OPGW	2	48F 0.646 AFL S3-81/69/646	5500	0	0.5	4

DWG REV	EPN/DESCRIPTION	CONT/PE#	DATE	DRN	CHKD	APPR
3	REISSUED TO NH DOE		07/24	GBS	APS	MRC
2	RE-ISSUED TO DOE		06/24	KAT	SEK	BRK
1	ISSUED TO DOE		02/24	KAT	SEK	BRK

# EVERSOURCE ENERGY

LINE X178, 115kV LINE  
STATE OWNED LAND CROSSING  
DALTON, NEW HAMPSHIRE  
EXHIBIT 13

SCALE AS SHOWN	FILE: 04100-81002.DWG IMAGE:	DRAWING NO. <b>04100-81002</b>
-------------------	---------------------------------	-----------------------------------

T 3	3
DRAWN KAT/TRC	
ENGINEER GEL/TRC	
CHECKED SEK/TRC	
APPROVED BRK/TRC	
DATE 06/26/24	